

# LOGLANDER™ 28 LOG ARCH

Hauls up to 28 in [71 cm] diameter logs



## OPERATOR'S MANUAL



DISCOVER THE WOODLAND™

Loglander™ is a trademark of Woodland Mills, Inc.

0008113-M-EN: Rev A  
Publication Date: 23-Dec-2022

This page intentionally left blank.



# TABLE OF CONTENTS

<b>TABLE OF CONTENTS</b>	<b>1</b>
<b>INTRODUCTION</b>	<b>2</b>
<b>GENERAL SAFETY RULES</b>	<b>3</b>
<b>INSPECTION/MAINTENANCE</b>	<b>3</b>
<b>TECHNICAL SPECIFICATIONS</b>	<b>4</b>
OVERALL DIMENSIONS	5
<b>UNPACKING</b>	<b>6</b>
<b>COMPONENT LISTS</b>	<b>7</b>
TO-SCALE HARDWARE	8
BOLTS & SCREWS	8
WASHERS	9
NUTS	9
<b>ASSEMBLY</b>	<b>10</b>
1. TOOLS REQUIRED	10
2. SIDE BEAMS & TONGUE	11
3. REAR ARCH	12
4. CENTRE BEAMS	13
5. AXLES	15
6. COUPLER	16
7. WINCH	17
8. PULLEY	18
9. WHEELS	19
10. WHEEL GUARDS	20
<b>OPERATION</b>	<b>21</b>
<b>MAINTENANCE</b>	<b>24</b>
<b>REPLACEMENT PARTS ORDERING</b>	<b>25</b>
<b>EXPLODED ASSEMBLY VIEWS</b>	<b>26</b>
CHASSIS	26
WINCH & PULLEY	27
WHEELS & AXLES	28
CHOKER CHAIN	29
<b>PARTS LIST</b>	<b>30</b>
<b>NOTES</b>	<b>31</b>



## INTRODUCTION

Congratulations on your purchase and welcome to Woodland Mills! This manual gives you the necessary information about your Loglander™ log arch so you will be able to use it properly. The entire manual must be read and understood before using the trailer. If any questions should arise that are not covered by this manual, please contact Woodland Mills, Inc.

### OWNER'S RECORD

Please take a moment to record the following information about your Loglander™ log arch. If you need to call for assistance, please be ready to provide your model and serial numbers. This information will allow us to be more efficient when you call.

#### MODEL NUMBER

#### SERIAL NUMBER

#### DATE OF PURCHASE

The Loglander™ 28 log arch can be towed behind any vehicle that utilizes a 2 in [50 mm] hitch ball. It is not intended to carry any additional weight or be used as a utility trailer.

The Loglander™ 28 log arch is sold as an *off-road only* trailer designed for certain applications. We strongly recommend the log arch not be modified and/or used for any application other than that for which it was designed. If you have any questions relative to a particular application, DO NOT use the log arch until you have first contacted Woodland Mills to determine if it can or should be performed using the product.

For technical questions and replacement parts, please contact Woodland Mills, Inc.

## GENERAL SAFETY RULES



### WARNING!

Read and understand all instructions. Failure to follow all instructions listed below may result serious injury.



### WARNING!

The warnings, cautions, and instructions discussed in this instruction manual cannot cover all possible conditions or situations that could occur. It must be understood by the operator that common sense and caution are factors which cannot be built into this product but must be supplied by the operator.



### WARNING!

The Loglander™ is not designed to carry any additional weight other than the log being hauled. Failure to heed this warning could result in damage to the log arch.



### WARNING!

*Always* use the choker chain to support the weight of the log while towing the Loglander™.



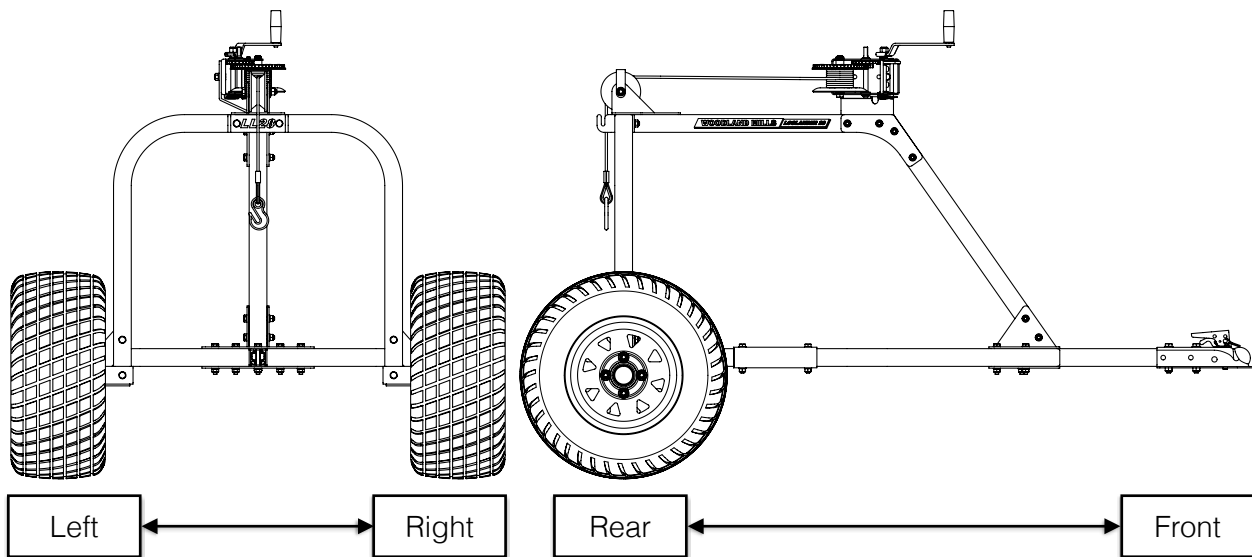
## INSPECTION/MAINTENANCE

- Check the tires before all trips. Make sure they are inflated to the pressure shown on the tire.
- Grease the axle bearings every 3 months or 1000 miles [1600 km], whichever comes first.
- Check the tow hitch ball coupler. Make sure it is not damaged.
- Check the wheel lug nuts before all trips. Make sure they are torqued properly.
- Inspect trailer before all trips for any damaged or loose parts.

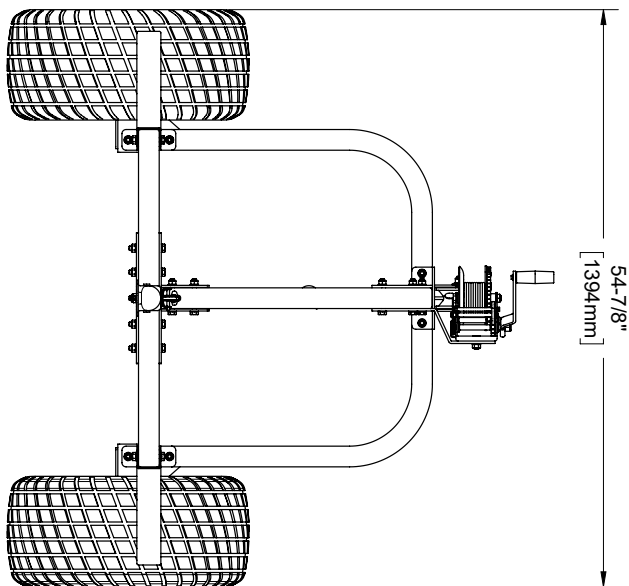
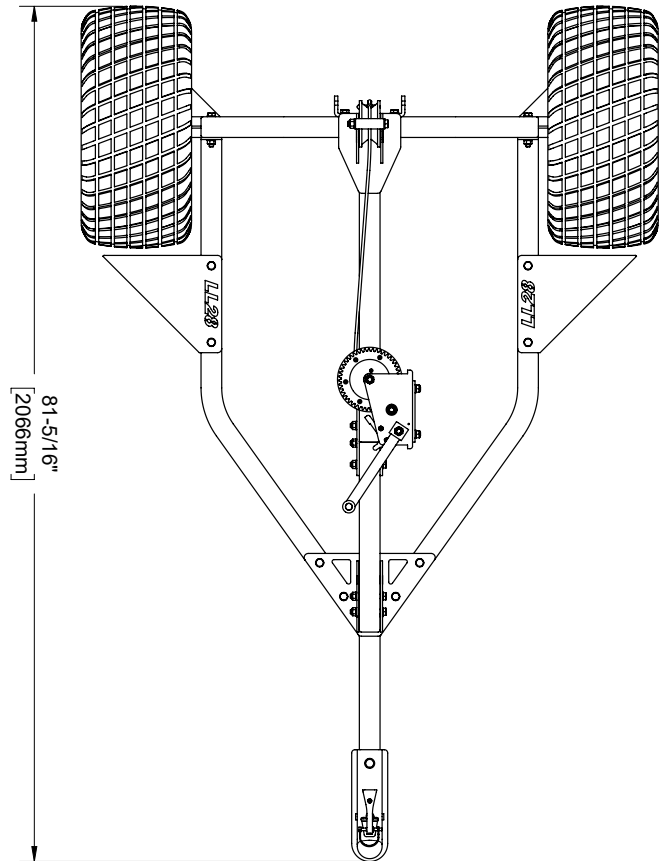
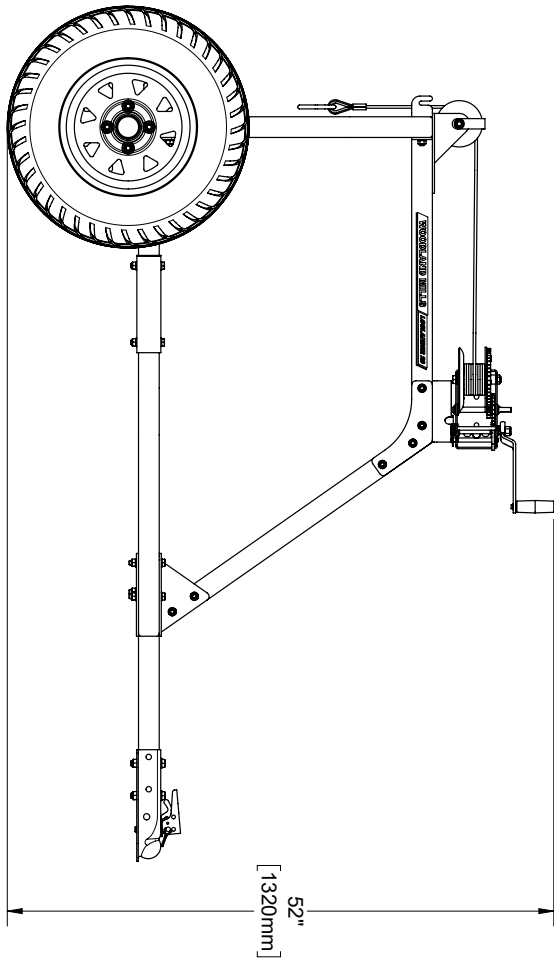


## TECHNICAL SPECIFICATIONS

Item	Specification
Trailer Axle	Fixed Axle Design
Trailer Wheels	4 Bolts @ 4 in [101.6 mm] & 23X10.5-12 Tires
Tire Pressure	Refer to Tire
Wheel Nut Torque	80 ft•lb [110 N•m]
Trailer Ball Coupler	2 in [50 mm]
Finish	Powder Coat Paint / Galvanized Steel
Shipping Weight	295 lb [134 kg]
Product Weight	190 lb [86 kg]



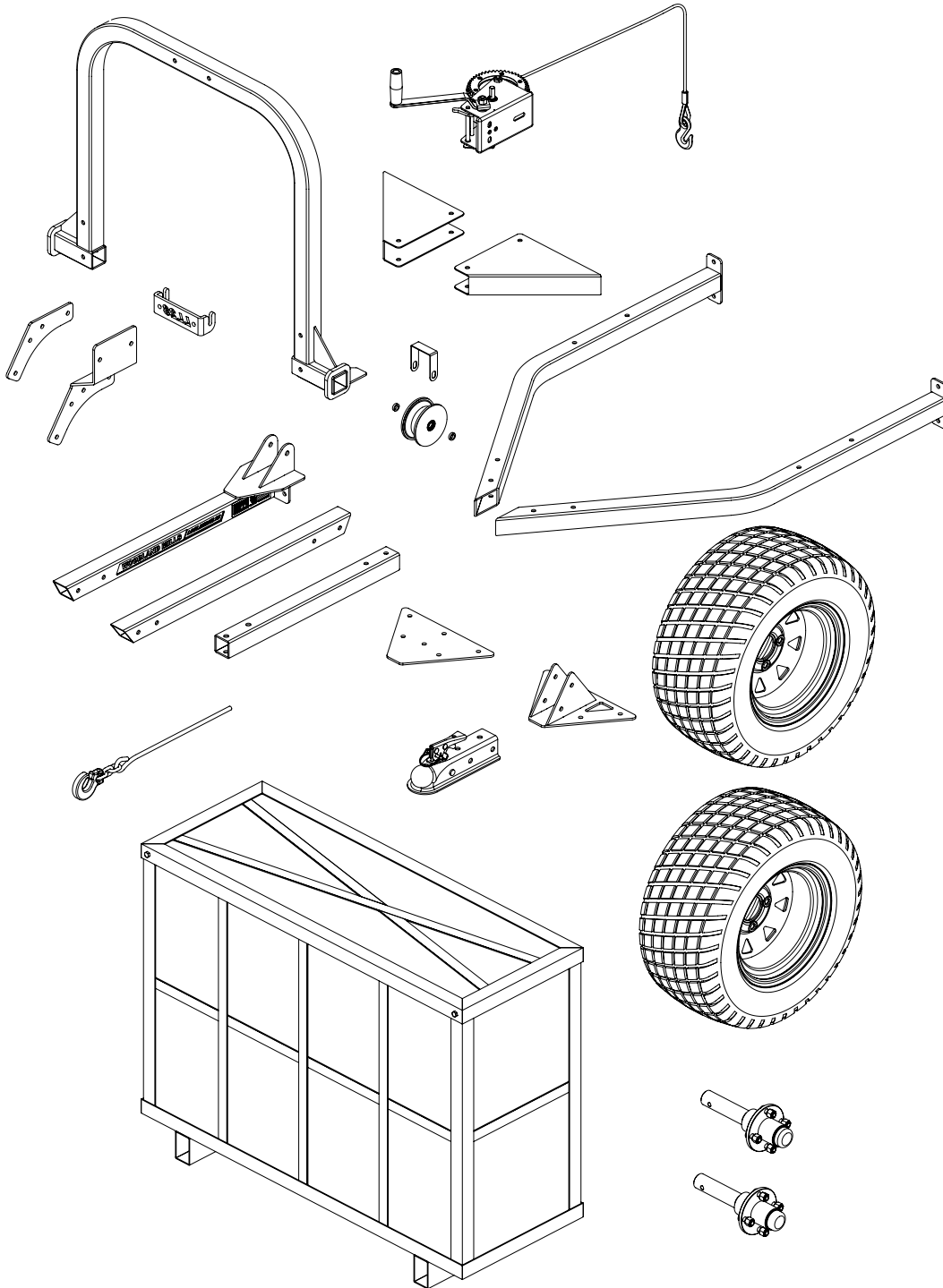
# OVERALL DIMENSIONS





## UNPACKING

Remove all the parts from the steel crate. The steel crate will not be utilized during assembly and can be discarded.

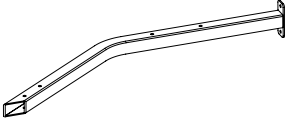
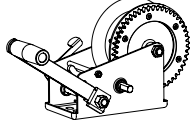
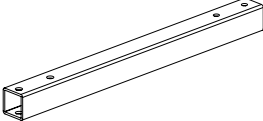
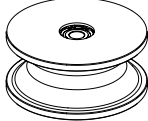
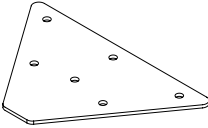
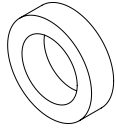
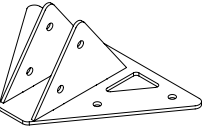
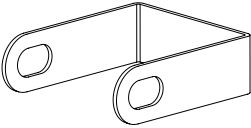
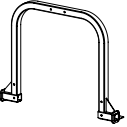
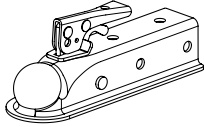
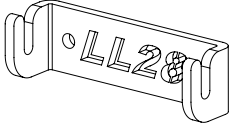
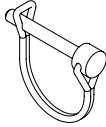
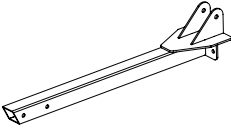
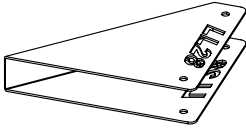
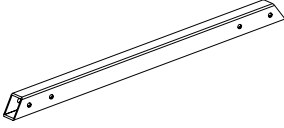
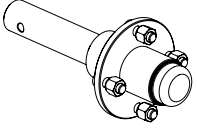
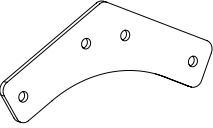
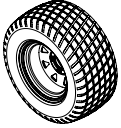
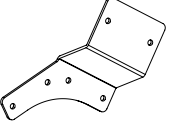
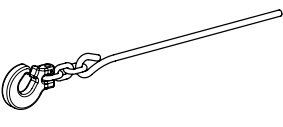






# COMPONENT LISTS

Verify all component and hardware quantities are correct prior to assembling the trailer.

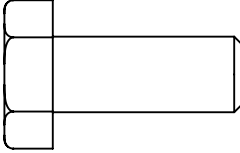
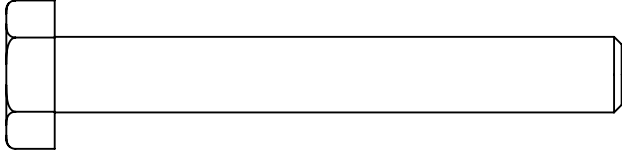
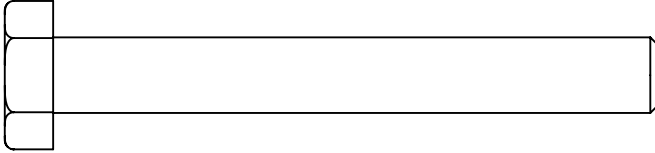
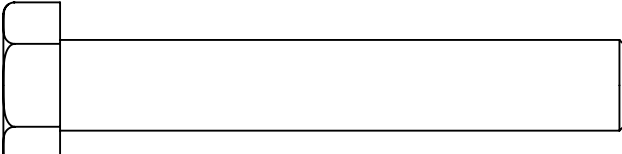
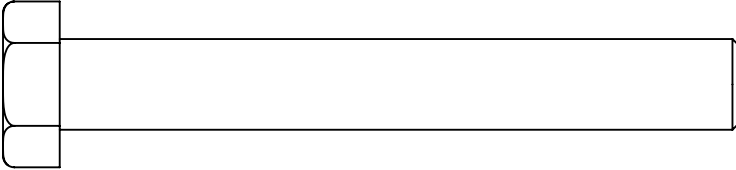
2x	Side Beam [0008063]		1x	Winch and Cable Assembly	
1x	Tongue [0007572]		1x	Wire Rope Pulley [0008104]	
1x	Front Gusset, Bottom [0008061]		2x	Spacer [0004939]	
1x	Front Gusset, Top [0008059]		1x	Cable Retainer [0008116]	
1x	Rear Arch [0008062]		1x	Hitch Ball Coupler [0001381]	
1x	Chain Hook [0007636]		1x	Round Locking Pin [0004728]	
1x	Centre Beam, Top [0008103]		2x	Wheel Guard [0007751]	
1x	Centre Beam, Front [0008102]		2x	Axle Assembly	
1x	Centre Beam Gusset [0008114]		2x	Wheel [23X10.5-12]	
1x	Winch Mount [0008115]		1x	Choker Chain [0002595]	



## TO-SCALE HARDWARE

### BOLTS & SCREWS

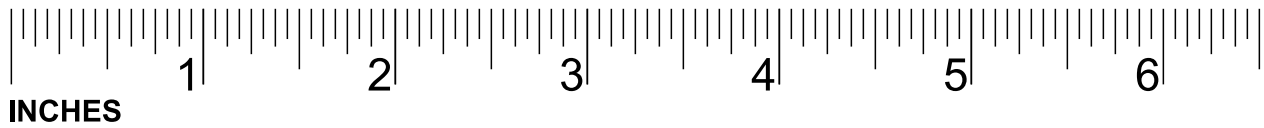
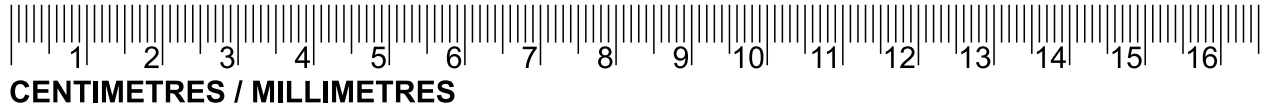
Hardware graphics are printed at 1:1 scale for ease of identification. Simply place the hardware over the image in the tables to verify it is the correct size.

2x	HHB-MBM080FCJ	M10 X 1.5 X 25 mm HEX BOLT
		
8x	HHB-MBM130PCJ	M10 X 1.5 X 75 mm HEX BOLT
		
14x	HHB-MBM135PCJ	M10 X 1.5 X 80 mm HEX BOLT
		
2x	HHB-MBR130PCJ	M12 X 1.75 X 75 mm HEX BOLT
		
1x	HHB-MBR145PCJ	M12 X 1.75 X 90 mm HEX BOLT
		

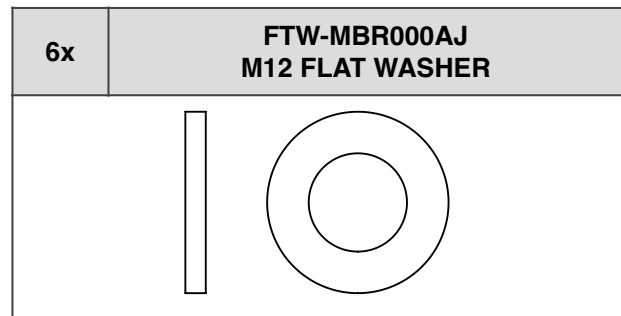
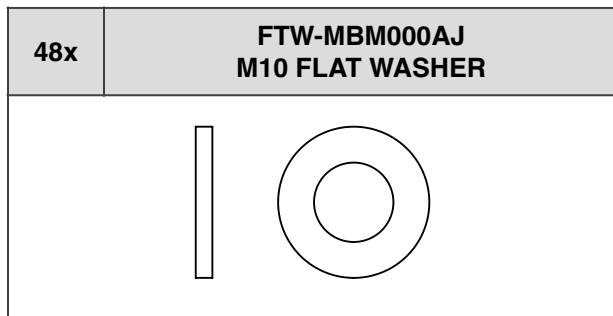


### SCALES

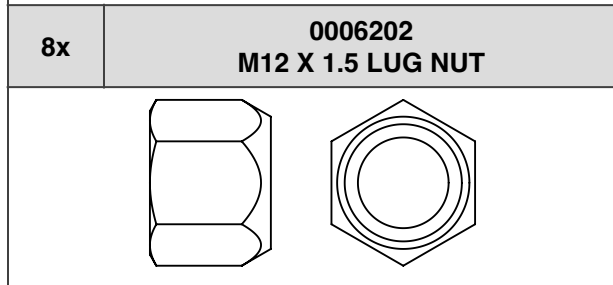
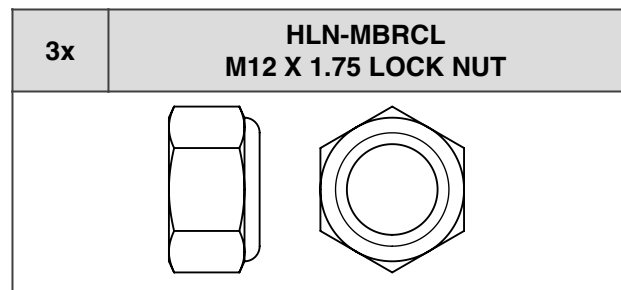
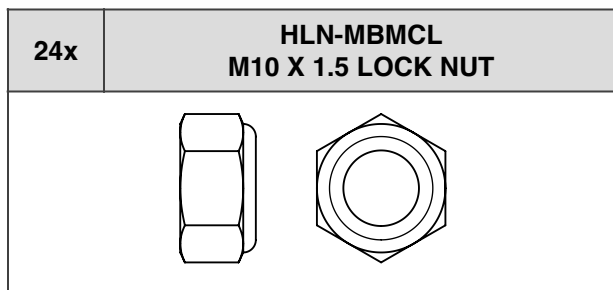
Ruler scales are also provided below to double-check bolt and screw lengths when necessary.



### WASHERS



### NUTS





# ASSEMBLY

## 1. TOOLS REQUIRED

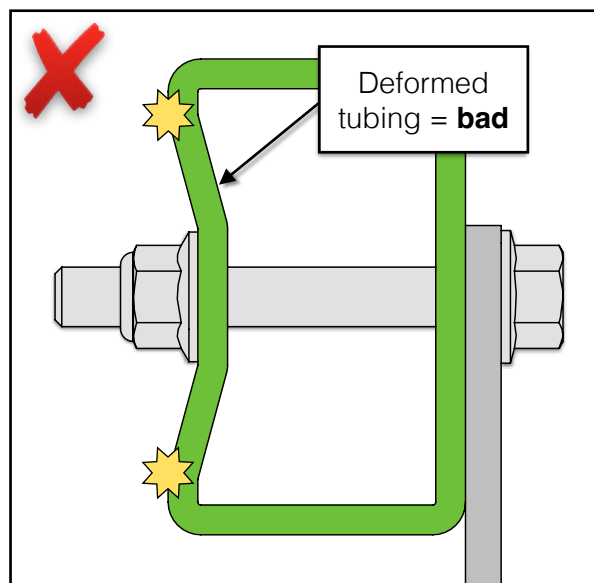
Tool	Specification
Wrench/Socket	16 mm (2X)
Wrench/Socket	17 mm (2X)
Wrench/Socket	18 mm (2X)
Wrench/Socket	19 mm (2X)
Ratchet	3/8 or 1/2 in Drive

During several of the assembly steps, more than one socket or wrench of the same size may be required to assemble the hardware. A socket or box wrench in combination with an adjustable wrench can be utilized if multiple same size tools are in limited supply.



### BOLT TORQUE WARNING!

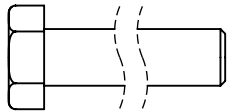
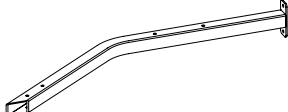
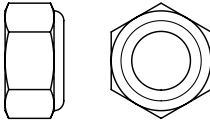
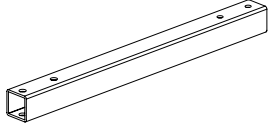
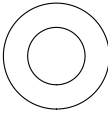
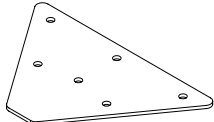
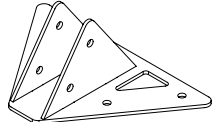
When assembling the log arch, do not torque the bolts to hardware Class/Grade specifications. Snug the hardware, then tighten a further 1/4–1/2 turn. Tightening bolts to torque spec can crush metal tubing, ruining the components.



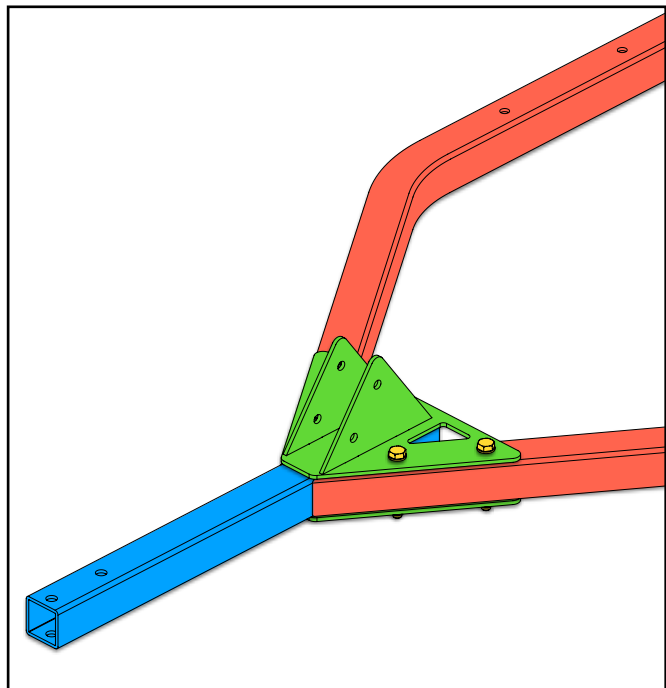
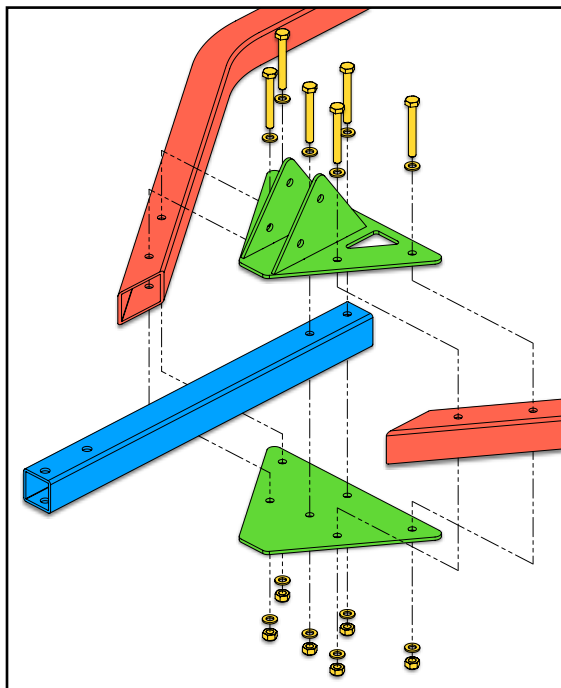
**DO NOT TORQUE TO SPEC WHEN BOLTING THROUGH TUBING. SNUG HARDWARE, THEN TIGHTEN A FURTHER 1/4–1/2 TURN.**

## 2. SIDE BEAMS & TONGUE

Join the side beams and tongue together with the front gussets using the components and hardware listed in the table below.

6x	M10 X 80 mm Hex Bolt		2x	Side Beam	
6x	M10 Lock Nut		1x	Tongue	
12x	M10 Flat Washer		1x	Front Gusset, Top	
			1x	Front Gusset, Bottom	

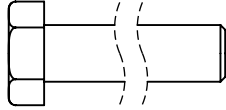

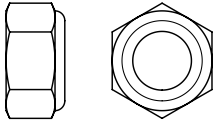
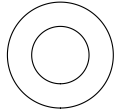
Bolt the side beams and tongue together with the top and bottom front gussets using six (6) M10 X 80 mm hex bolts, twelve (12) M10 flat washers, and six (6) M10 lock nuts. Do *not* fully tighten the hardware.



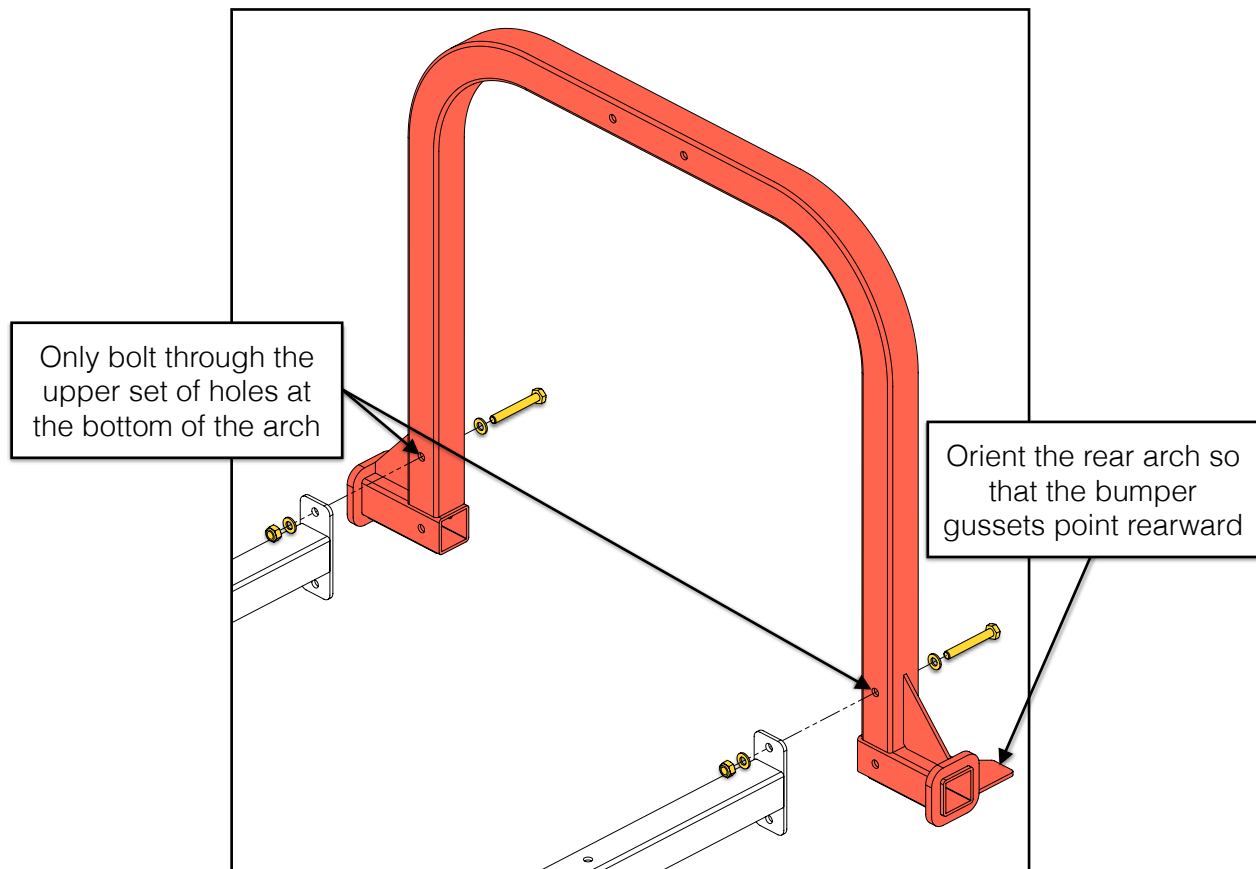


### 3. REAR ARCH

Join the rear arch to the side beams using the components and hardware listed in the table below.

2x	M10 X 75 mm Hex Bolt		1x	Rear Arch	
2x	M10 Lock Nut				
4x	M10 Flat Washer				

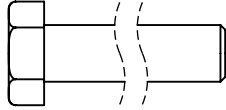
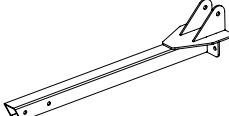
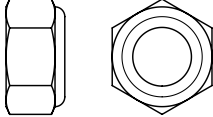
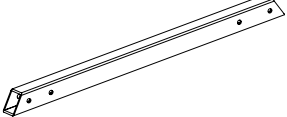
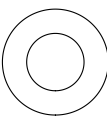
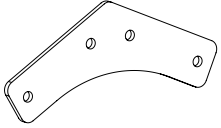
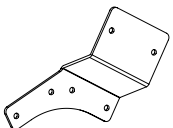

Bolt the rear arch to the side beams using two (2) M10 X 75 mm hex bolts, four (4) M10 flat washers, and two (2) M10 lock nuts. Do *not* fully tighten the hardware.



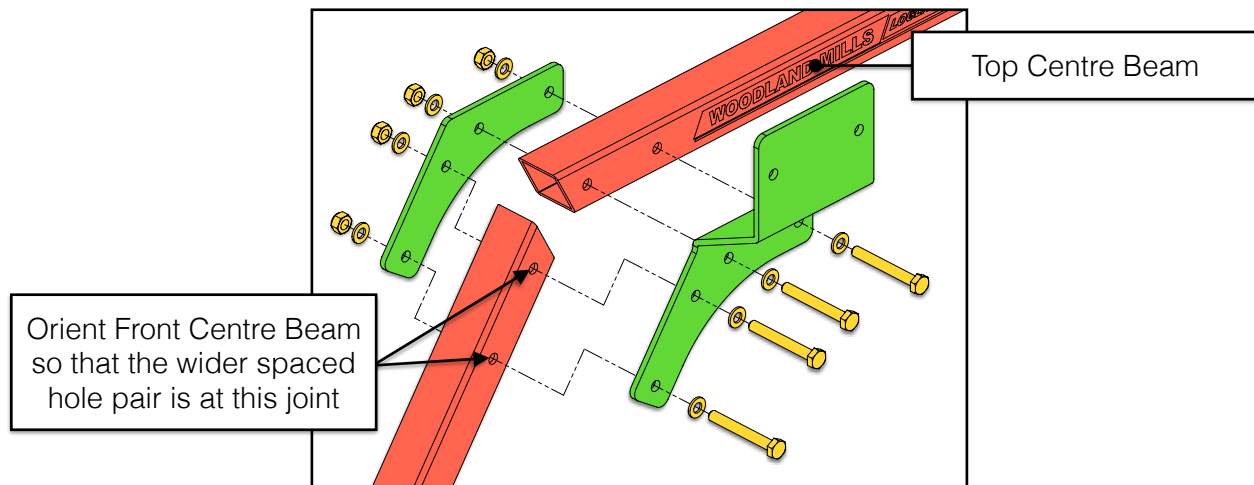


## 4. CENTRE BEAMS

Join the two centre beams together and then assemble them to the chassis using the components and hardware listed in the table below.

8x	M10 X 80 mm Hex Bolt		1x	Top Centre Beam	
8x	M10 Lock Nut		1x	Front Center Beam	
16x	M10 Flat Washer		1x	Centre Beam Gusset	
			1x	Winch Mount	
			1x	Chain Hook	

Assemble the top beam and front beam together first, separate from the chassis. Use four (4) M10 X 80 mm hex bolts, eight (8) M10 flat washers, and four (4) M10 lock nuts to sandwich the beams between the centre beam gusset and winch mount. Do *not* fully tighten the hardware.

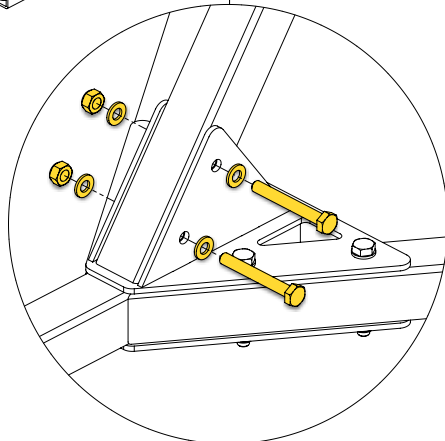
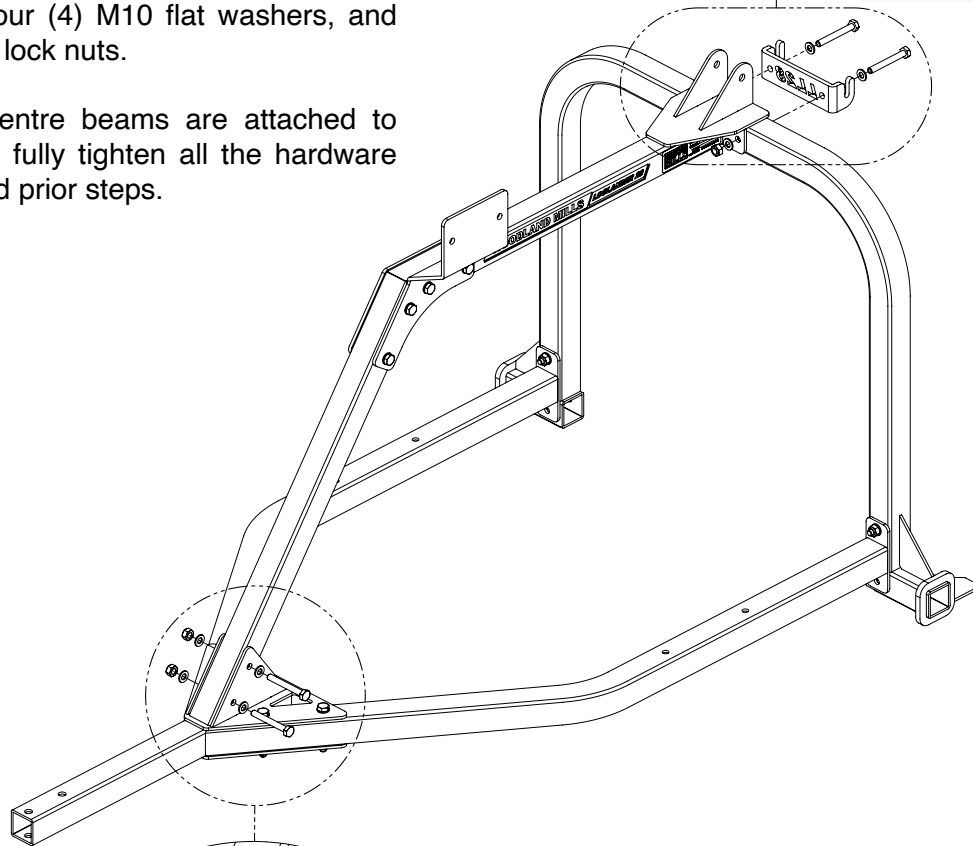
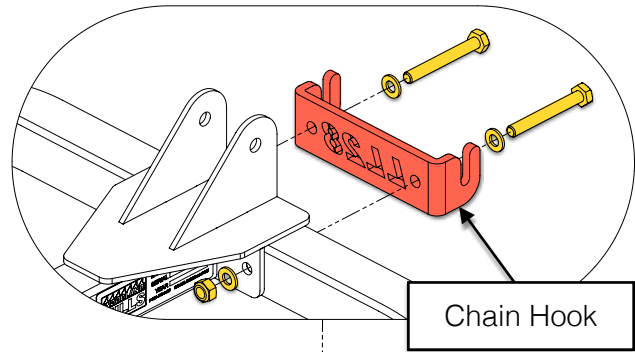


With the centre beams loosely assembled, bolt them to the chassis.

Connect the upper end of the centre beam to the rear arch and chain hook using two (2) M10 X 80 mm hex bolts, four (4) M10 flat washers, and two (2) M10 lock nuts.

At the front gusset, connect the front centre beam using two (2) M10 X 80 mm hex bolts, four (4) M10 flat washers, and two (2) M10 lock nuts.

Once the centre beams are attached to the chassis, fully tighten all the hardware from this and prior steps.



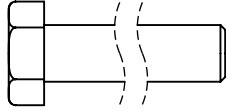
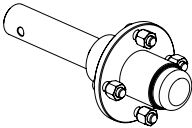
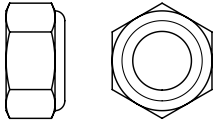
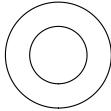
**TIGHTEN ALL HARDWARE**

Fully tighten all the hardware from this and prior steps.

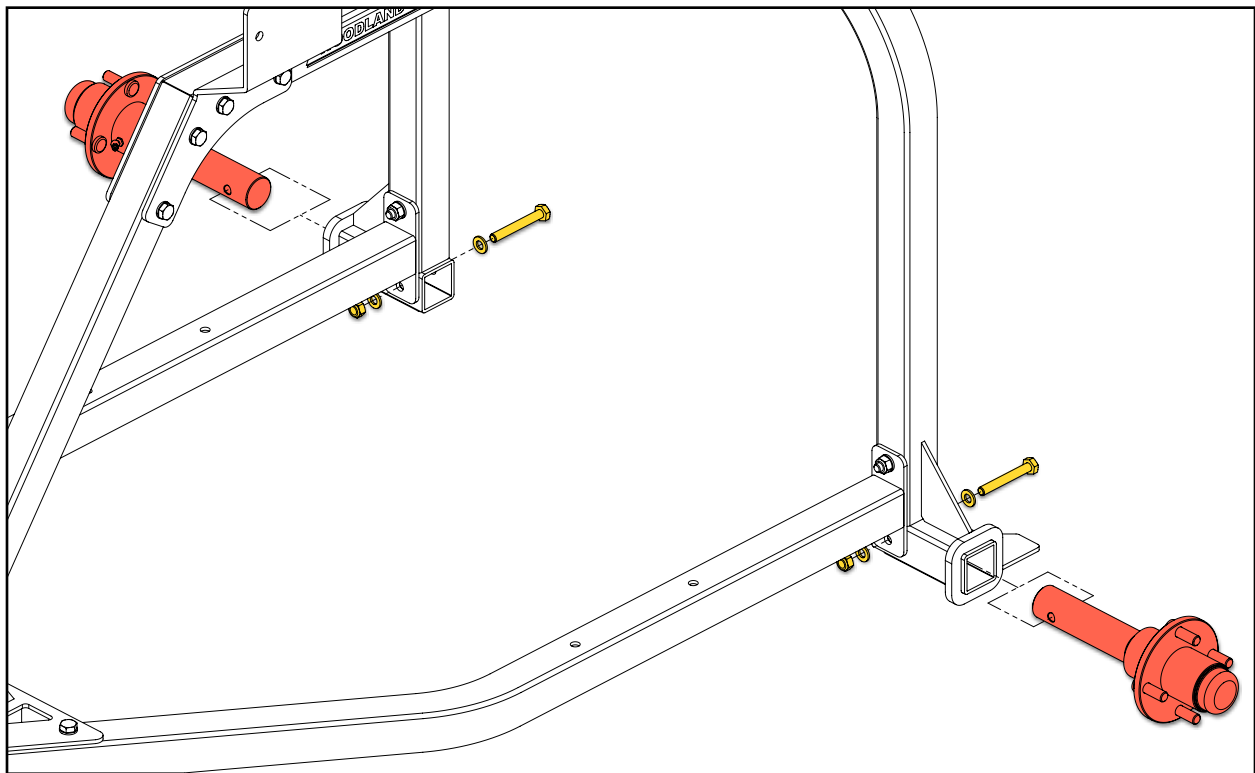


## 5. AXLES

Assemble both axle assemblies into the sleeves at the bottom of the rear arch using the components and hardware listed in the table below.

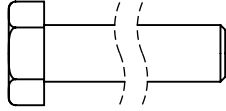
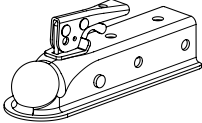
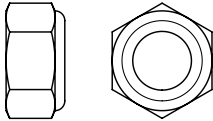
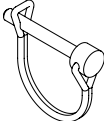
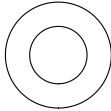
2x	M10 X 75 mm Hex Bolt		2x	Axle Assembly	
2x	M10 Lock Nut				
4x	M10 Flat Washer				

Slide the axles into the sleeves at the bottom of the rear arch and secure them with one (1) M10 X 75 mm hex bolt, two (2) M10 flat washers, and one (1) M10 lock nut for each axle. Fully tighten the hardware.

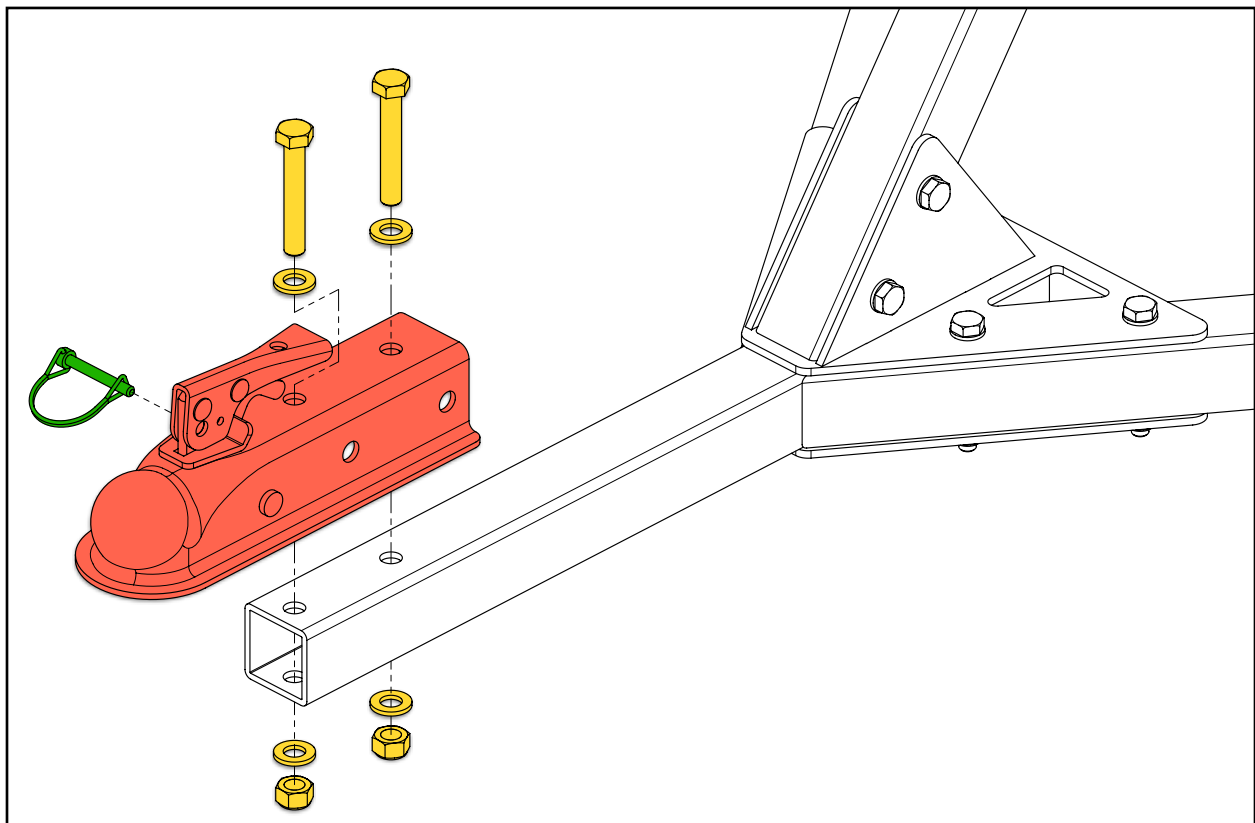


## 6. COUPLER

Assemble the hitch ball coupler to the tongue using the components and hardware listed in the table below.

2x	M12 X 75 mm Hex Bolt		1x	Hitch Ball Coupler	
2x	M12 Lock Nut		1x	Round Locking Pin	
4x	M12 Flat Washer				

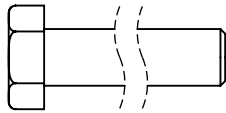
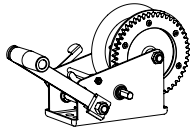
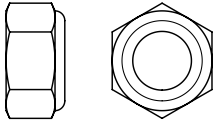
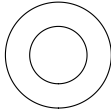
Use two (2) M12 X 75 mm hex bolts, four (4) M12 flat washers, and two (2) M12 lock nuts to secure the coupler to the tongue. Insert the round locking pin into the coupler. Fully tighten the hardware.



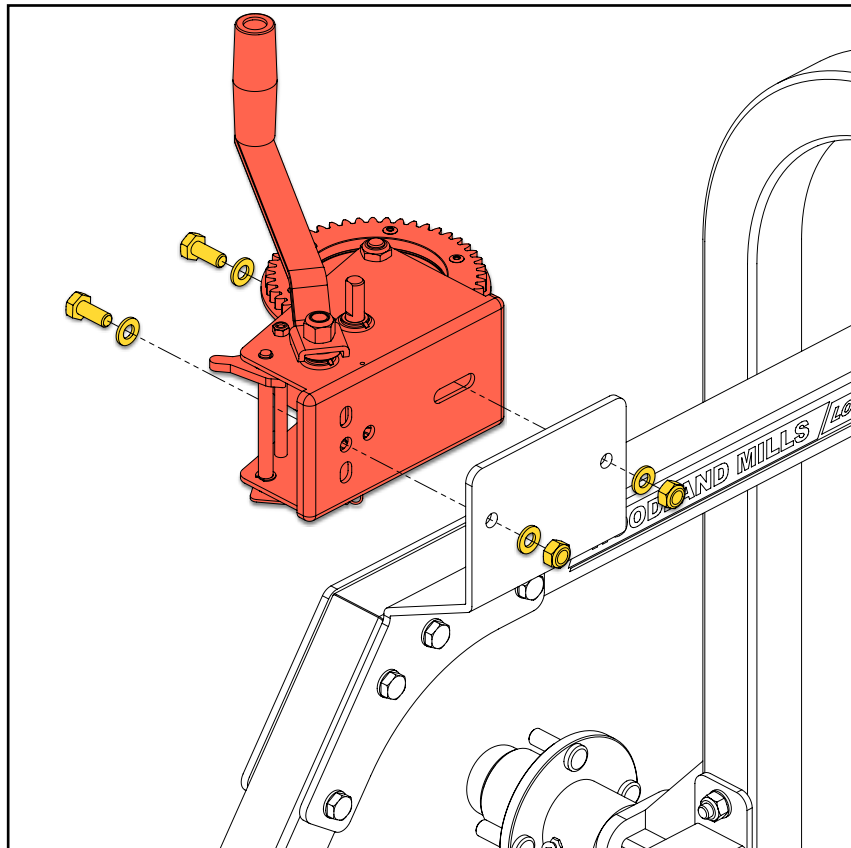


## 7. WINCH

Assemble the winch assembly to the winch mount on the centre beams using the components and hardware listed in the table below.

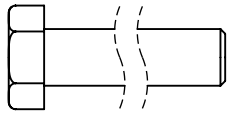
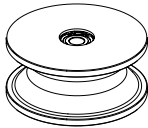
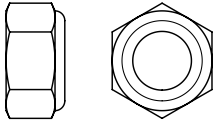
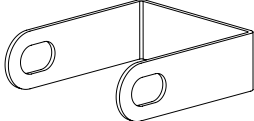
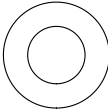
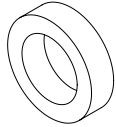
2x	M10 X 25 mm Hex Bolt		1x	Winch Assembly	
2x	M10 Lock Nut				
4x	M10 Flat Washer				

Use two (2) M10 X 25 mm hex bolts, four (4) M10 flat washers, and two (2) M10 lock nuts to secure the winch to the winch mount. Fully tighten the hardware.

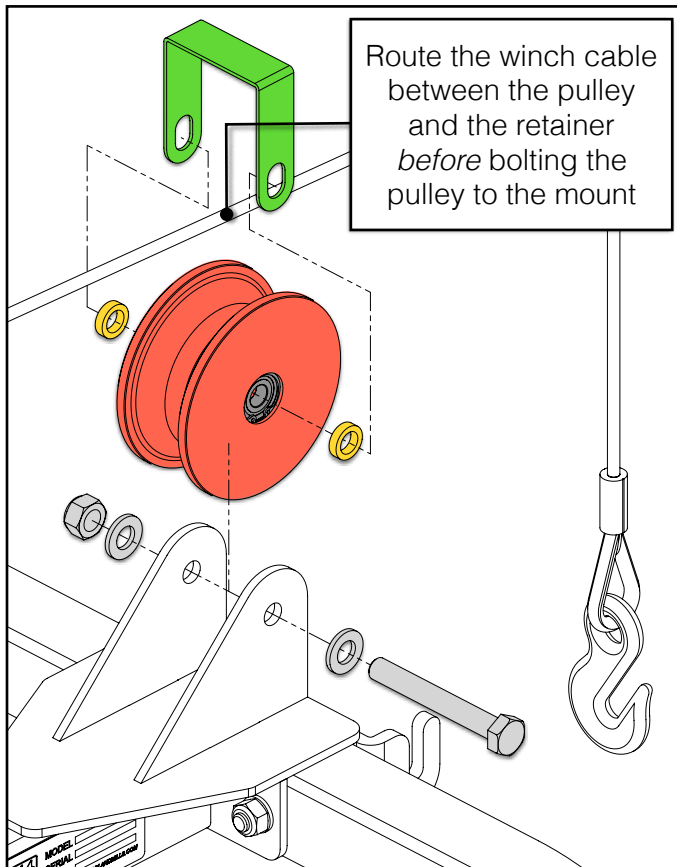


## 8. PULLEY

Assemble the pulley to the mount on the top centre beam using the components and hardware listed in the table below.

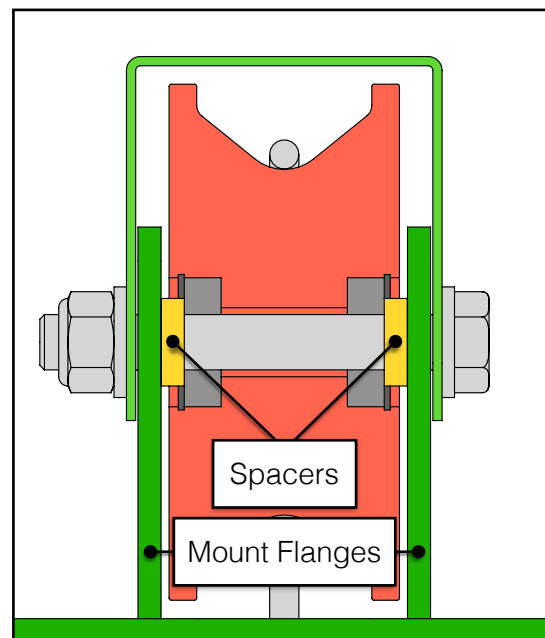
1x	M12 X 90 mm Hex Bolt		1x	Pulley	
1x	M12 Lock Nut		1x	Retainer	
2x	M12 Flat Washer		2x	Spacer	

Use one (1) M12 X 90 mm hex bolt, two (2) M12 flat washers, and one (1) M12 lock nut to bolt the pulley, spacers, and retainer to the mount on the top centre beam.



Ensure the spacers are between the pulley bearings and the *inside* faces of the mount flanges.

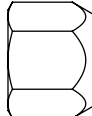
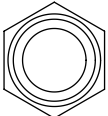

Fully tighten the hardware while ensuring the pulley spins freely.





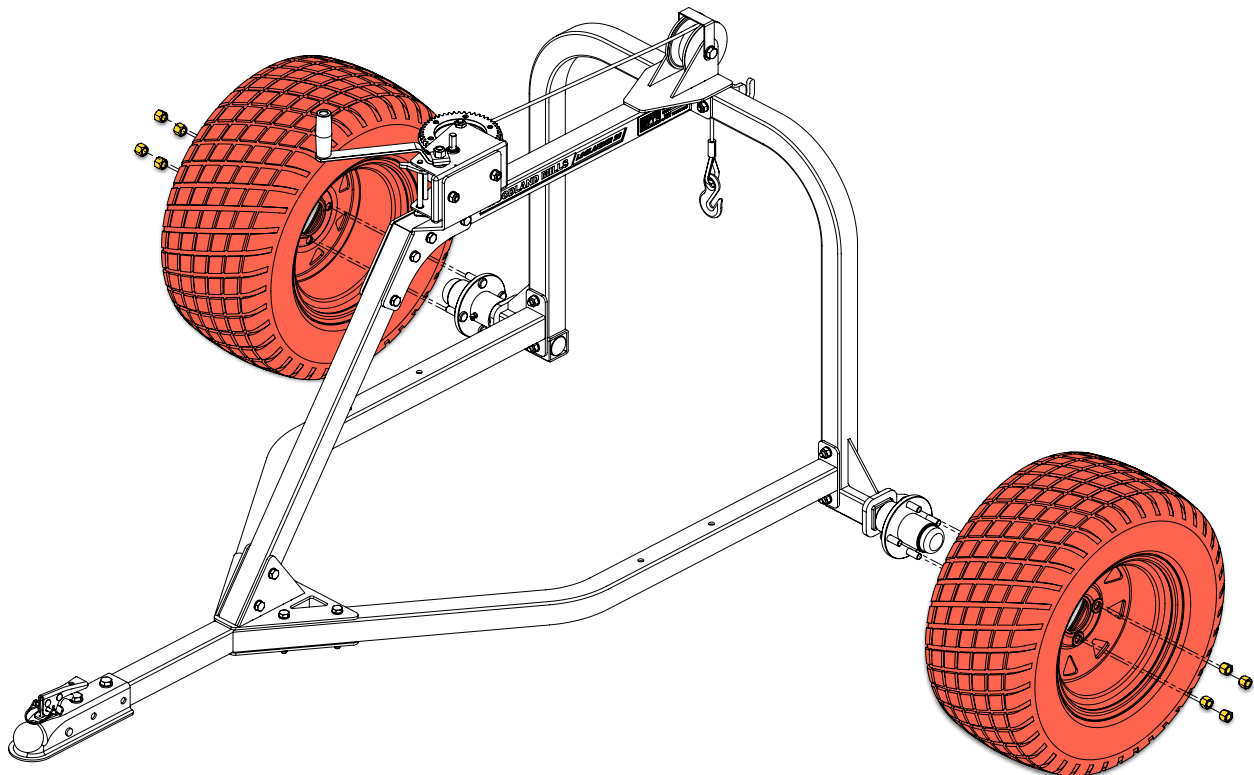
## 9. WHEELS

Assemble the wheels to the axle hubs using the components and hardware listed in the table below.

8x	M12 Lug Nut			2x	Wheel	
----	-------------	---	---	----	-------	---

Bolt the wheels to the axle hubs using four (4) M12 lug nuts on each wheel. The air valve on the wheel points outward when installed correctly. Torque the nuts to 80 ft•lb [110 N•m].

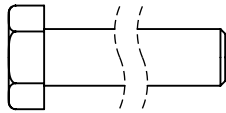
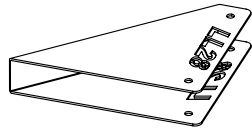
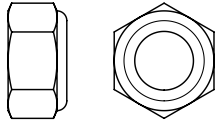
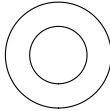
**Note: the lug nuts may need to be removed from the axles before installing the wheels.**



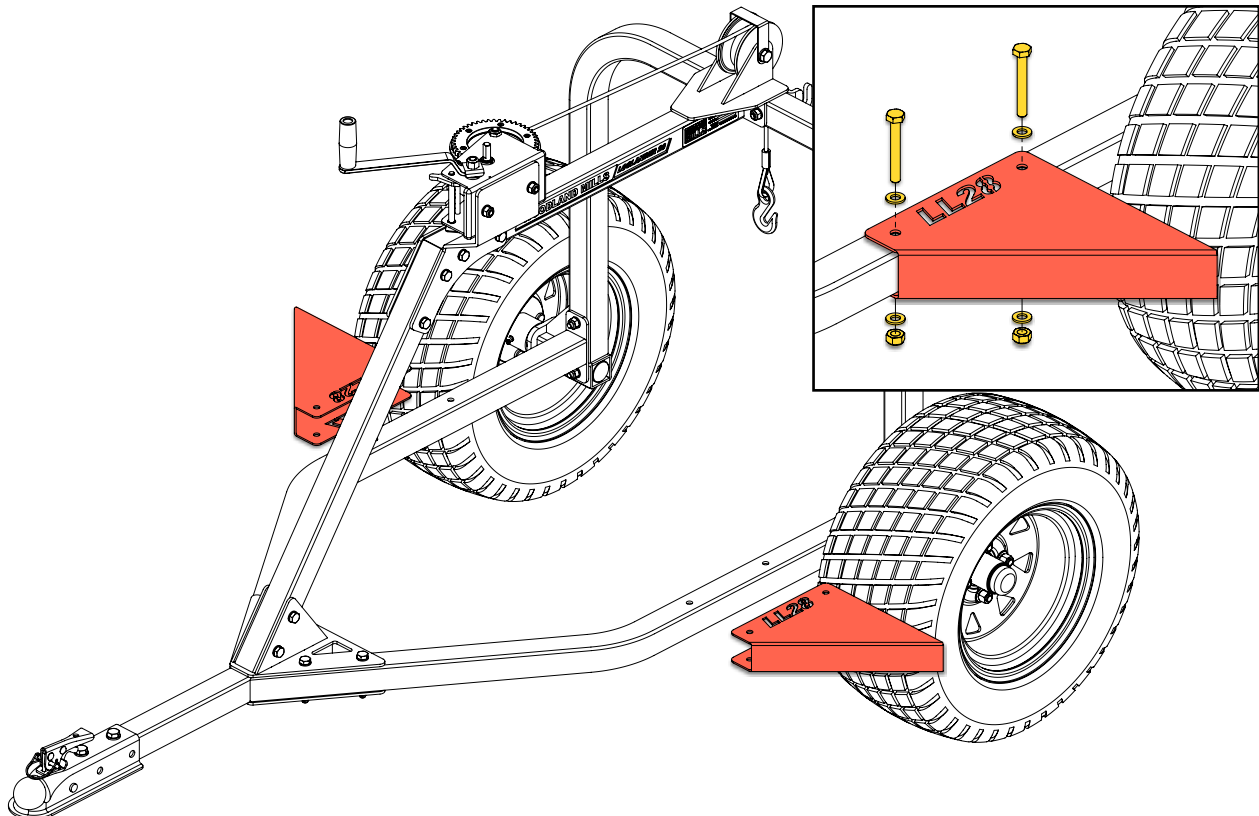


## 10. WHEEL GUARDS

Assemble the wheel guards to the side beams using the components and hardware listed in the table below.

4x	M10 X 75 mm Hex Bolt		2x	Wheel Guard	
4x	M10 Lock Nut				
8x	M10 Flat Washer				

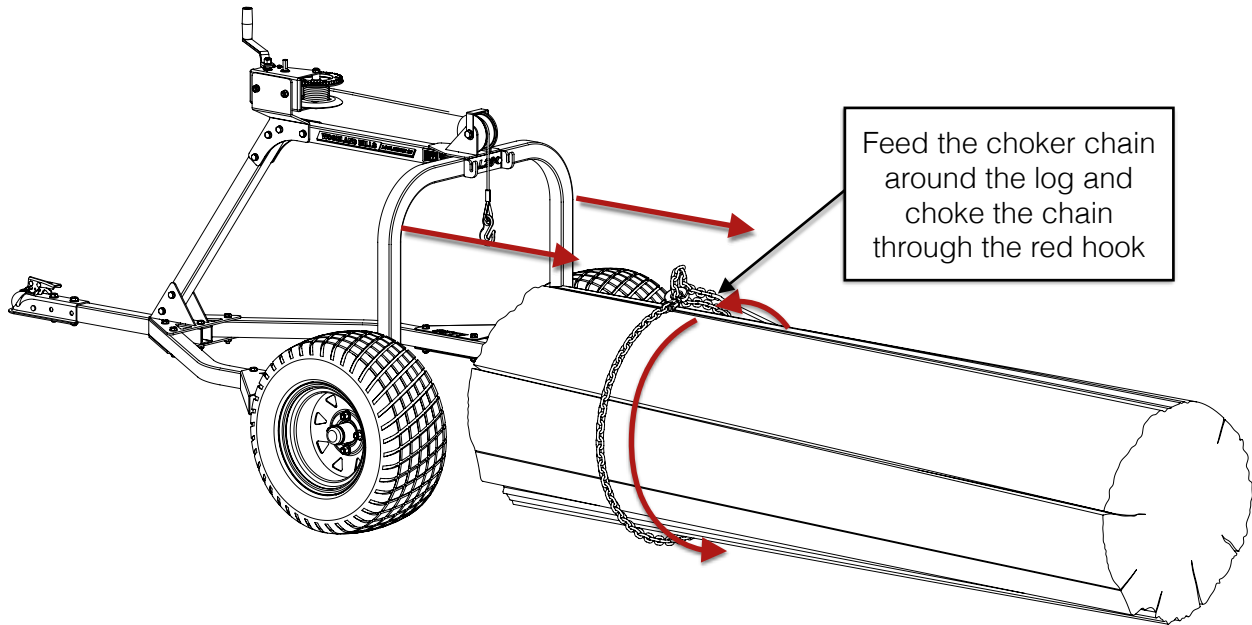
Bolt one wheel guard to each side beam using two (2) M10 X 75 mm hex bolts, four (4) M10 flat washers, and two (2) M10 lock nuts per side. Fully tighten the hardware.



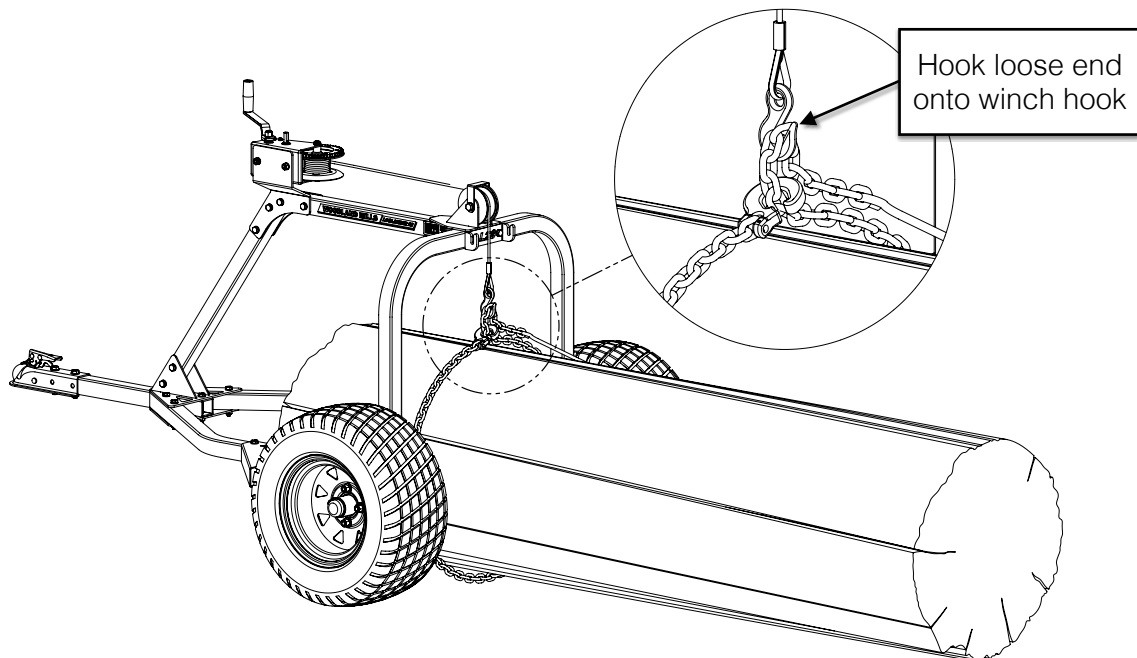
## OPERATION

Follow the steps below to hook and haul timber using the Loglander™ 28 Log Arch.

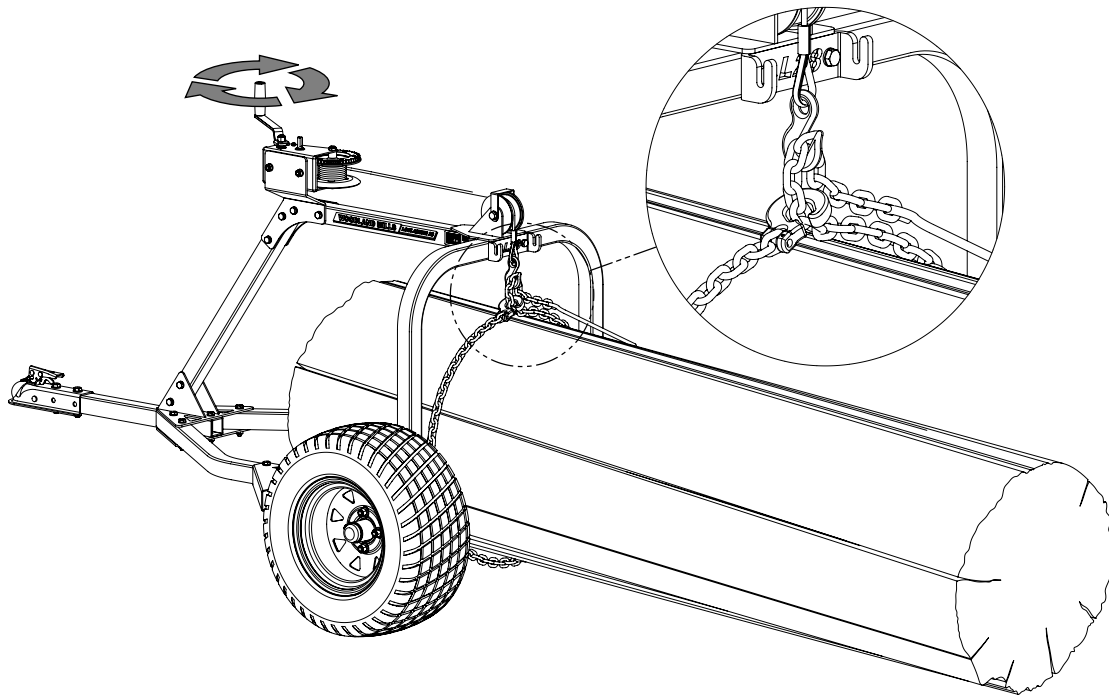
1. Feed the choker chain probe stake under and around the fallen log, choking the chain through the red hook on the top side of the log. Back the trailer over the log.



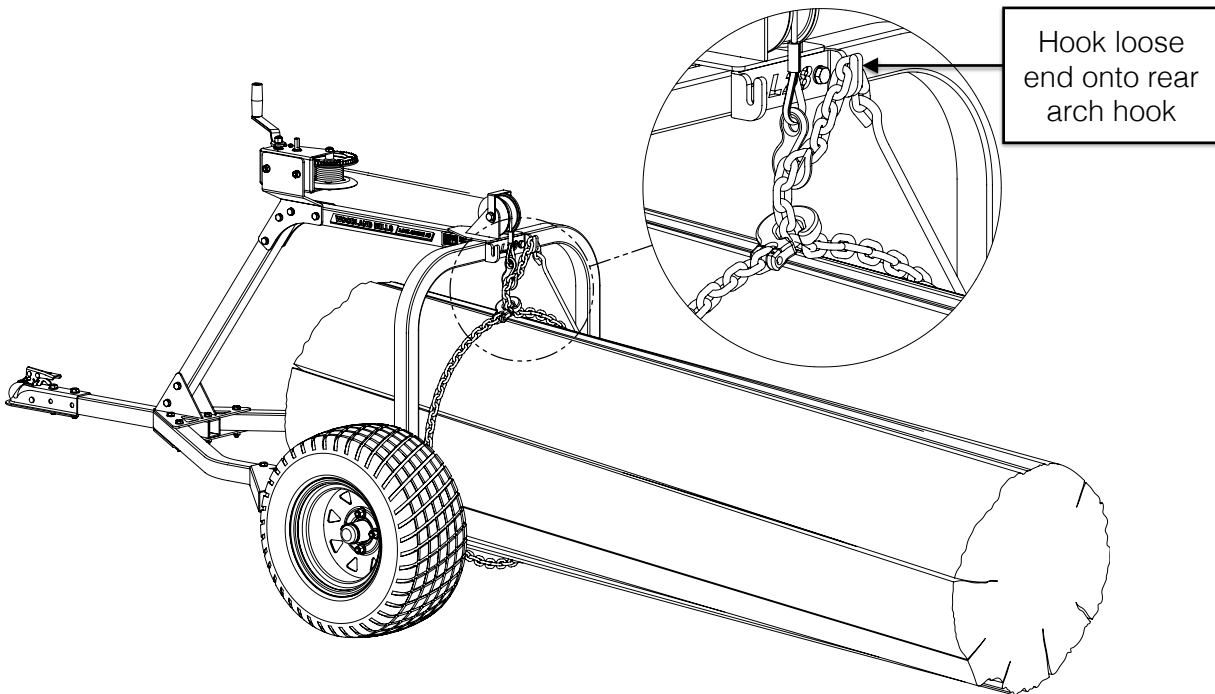
2. Hook the loose end of the chain onto the winch cable grab hook.



3. Crank the winch to raise the end of the log off the ground.



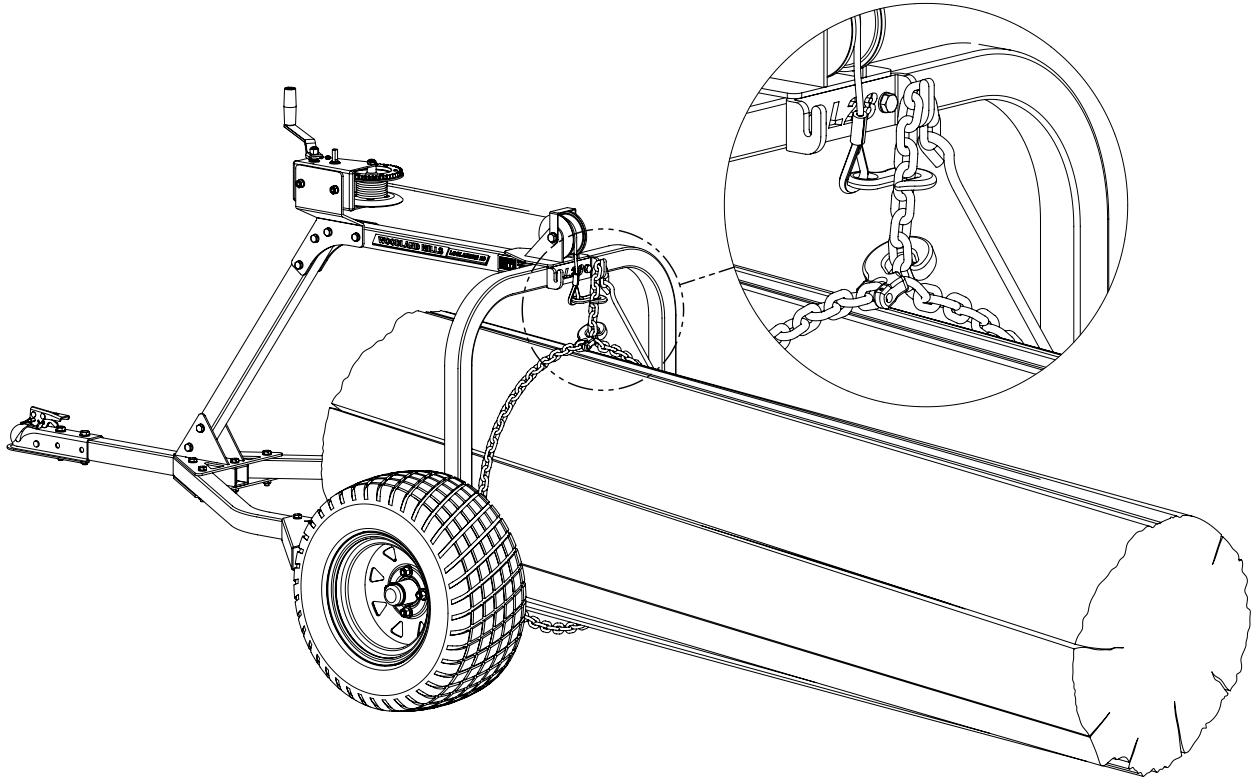
4. Hook the loose end of the chain onto the rear arch hook.







- Lower the winch until the weight of the log is off the winch cable and is supported solely by the choker chain. The winch grab hook can either be unhooked or left loosely hanging on the chain.



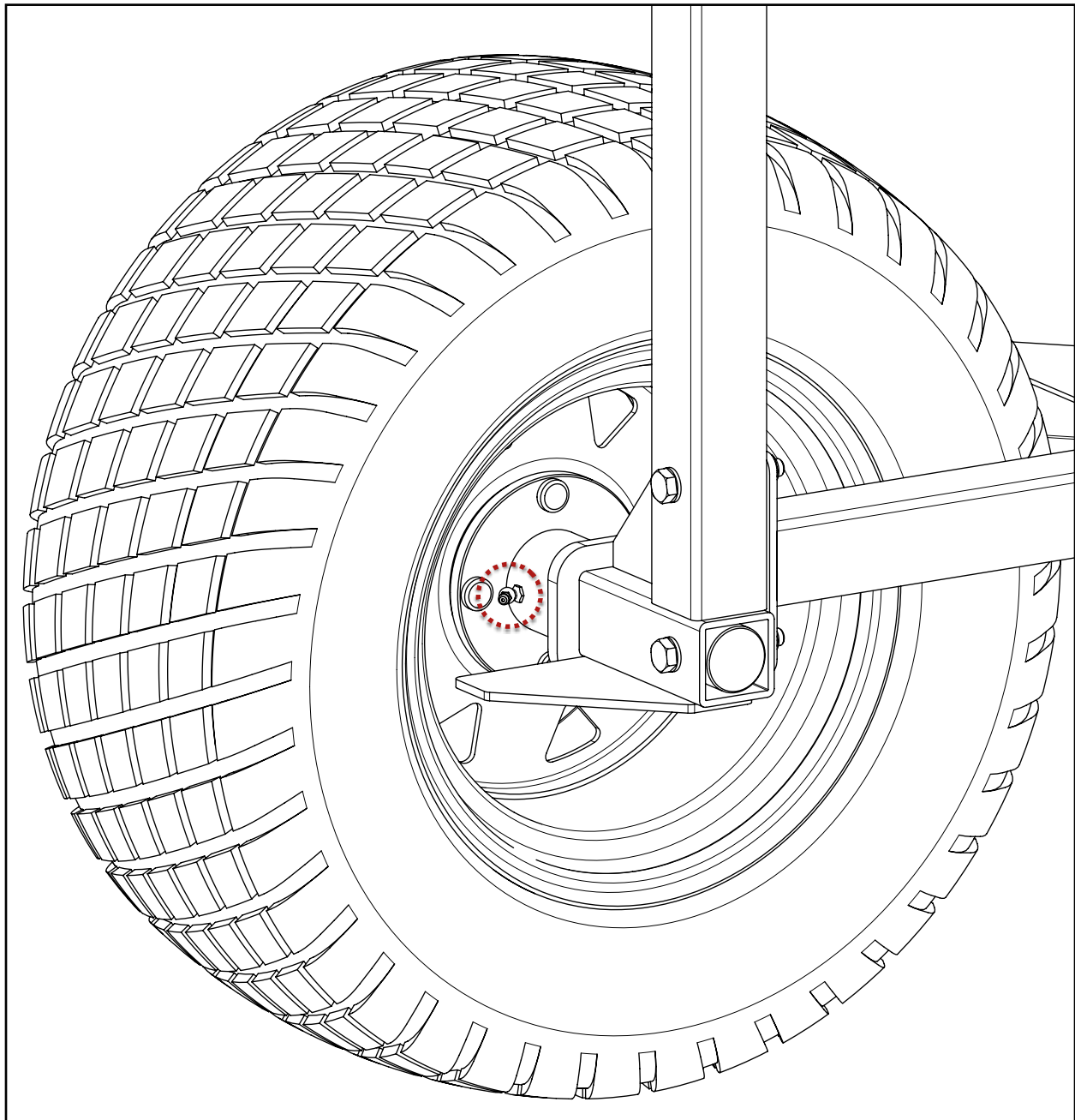
	<p><b>WARNING!</b></p>	
<p><i>Always use the choker chain to support the weight of the log while towing the Loglander™.</i></p>		

- Haul the log to its final destination.
- Hook the winch grab hook back on the chain just above the red choke hook (if it is not already). Crank the winch up until the weight of the log is off the loose end of the choker chain. Unhook the choker chain from the rear arch hook and use the winch to lower the log to the ground.
- Disconnect the winch cable from the choker chain and remove the choker chain from the log.

## MAINTENANCE

The Loglander™ has two (2) Zerk fitting grease points: one (1) on the inside of each axle hub. Check each grease point prior to use and add grease as needed.

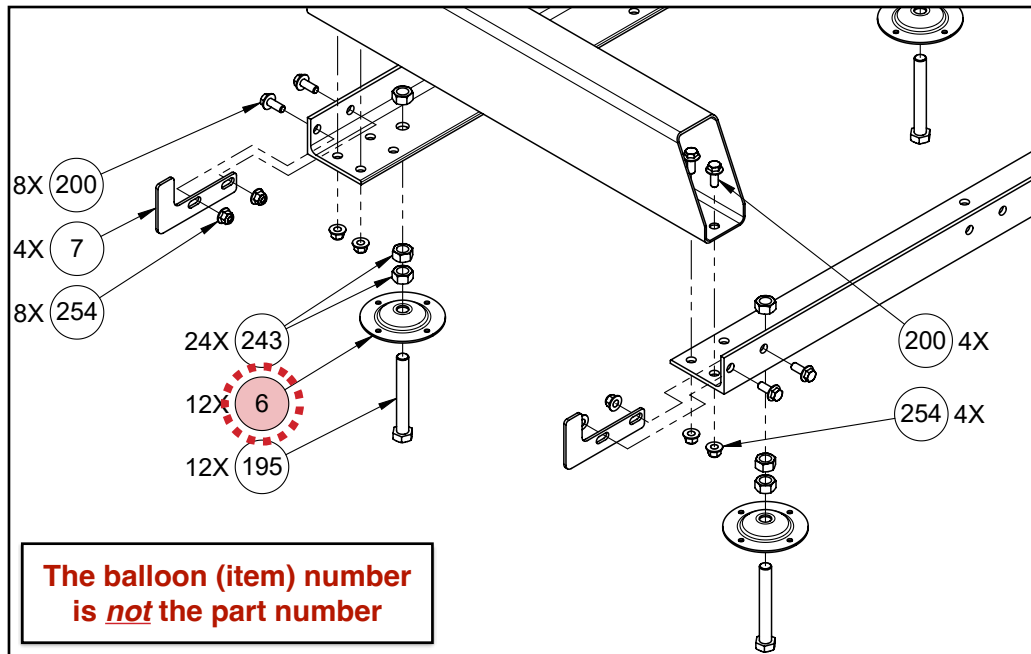
***\*\*Warning: The axles come pre-greased. Do not add grease to these points on the Loglander™ 28 after initial assembly. Over-greasing can damage the bearing seals.\*\****





## REPLACEMENT PARTS ORDERING

When ordering replacement parts, first locate the balloon number(s) from the appropriate ***exploded assembly view*** as shown in the example below:



Next, turn to the ***Parts List*** section and locate the balloon number in the “**Item**” column:

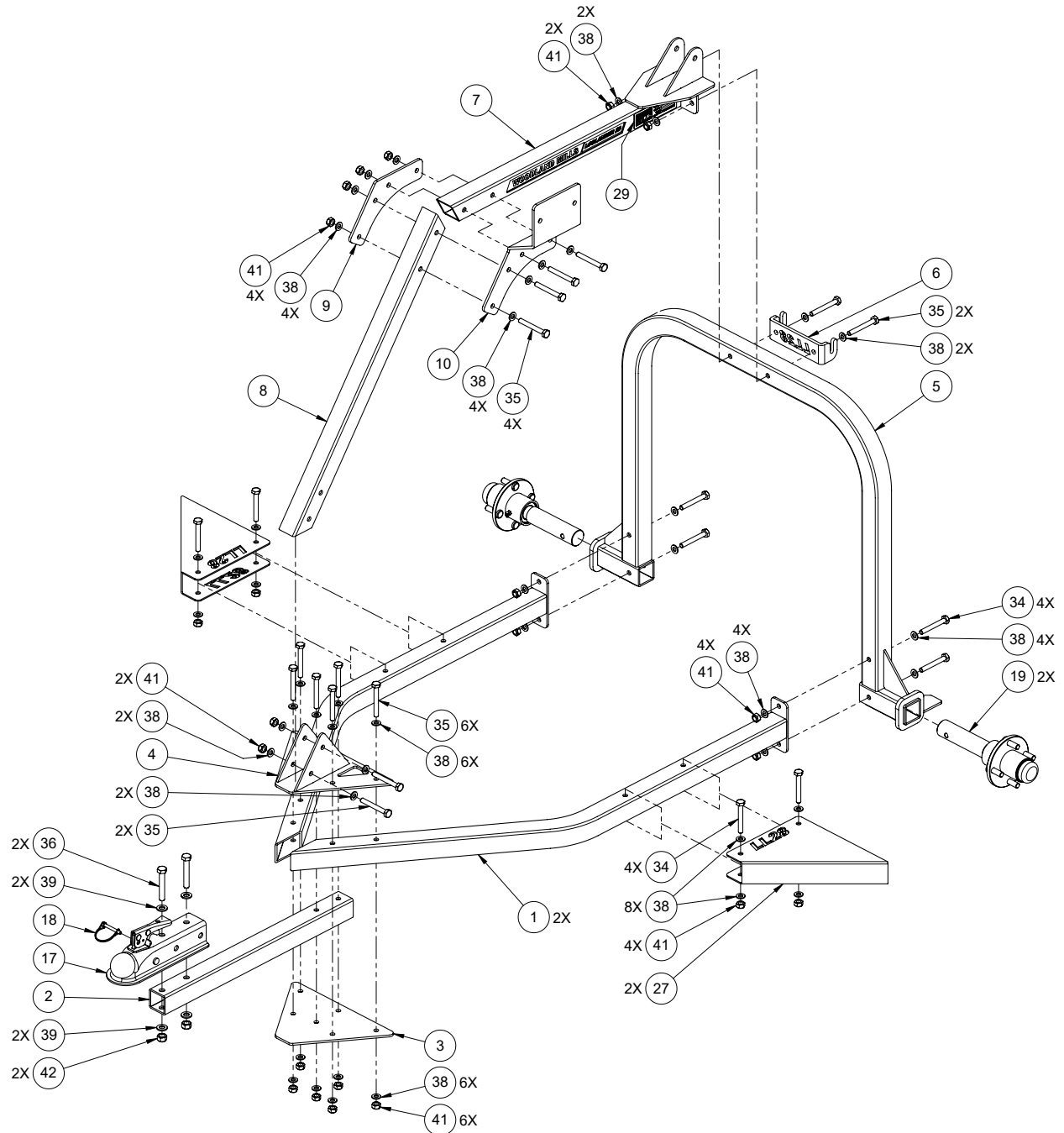
PARTS LIST				
Item	Quantity		Part No.	Description
	14 hp	9.5 hp		
1	4	4	0001073	TRACK RAIL, 58.5 mm TALL
2	2	2	0001075	LOG BUNK, END
3	2	2	0001080	LOG BUNK, MID
4	1	1	0001084	LOG BUNK, CENTER
5	2	2	0001072	REINFORCEMENT PLATE, 90 X 200 mm
6	12	12	0001071	LEVELLING FOOT BASE
7	4	4	0001055	CARRIAGE STOP
8	1	1	0001062	LOG CLAMP SHAFT AND BRACKET WELDMENT

Record the part number (e.g. *0001071, HHB-MBM080FCJ, etc.*) from the “**Part No.**” column.

Contact Woodland Mills through the website or via phone/email. If possible, include the invoice or sales number from the purchased product so an associated account can be located. If the account has multiple addresses on file, please indicate to which address the replacement part(s) will be shipped.

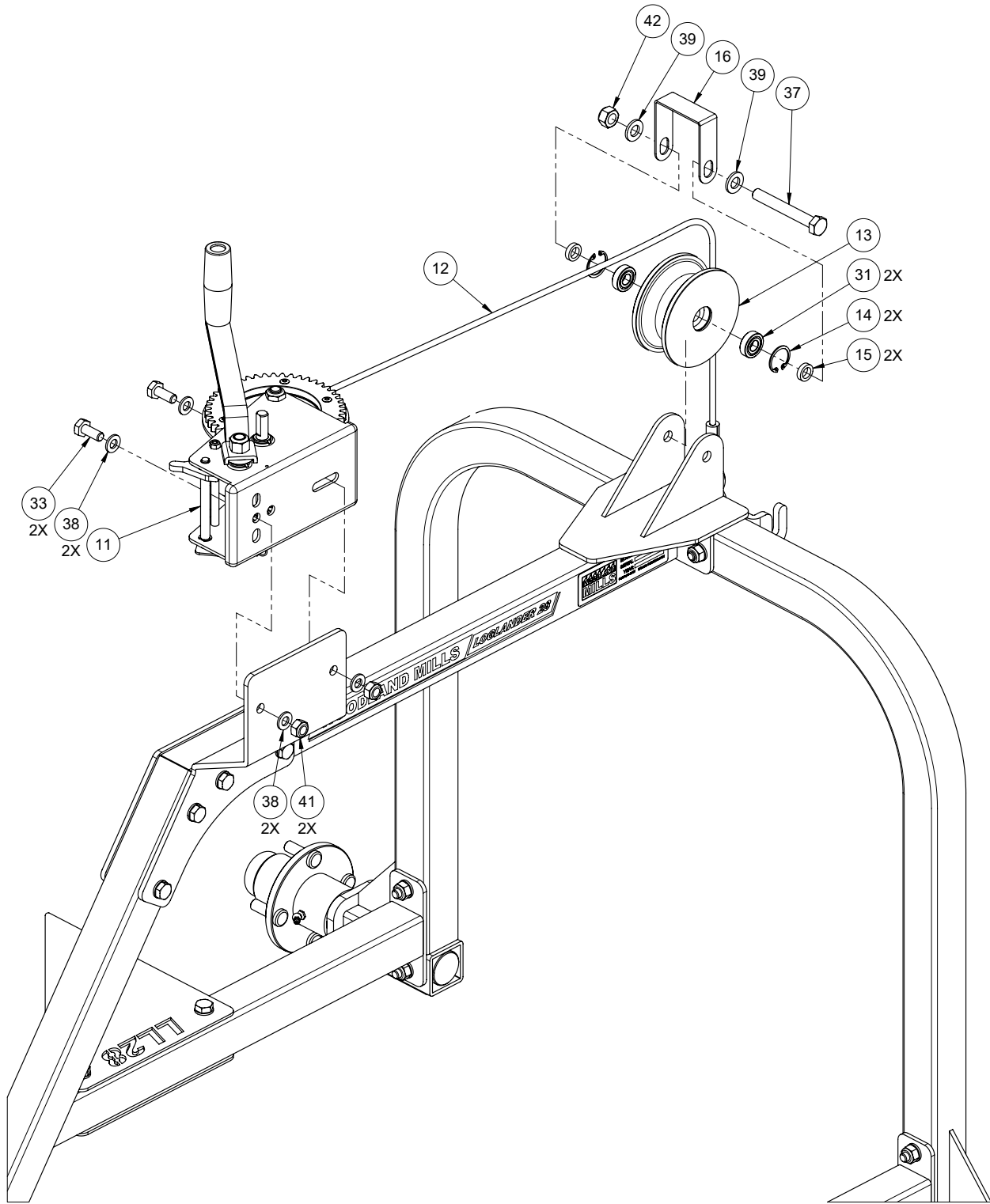


# EXPLODED ASSEMBLY VIEWS CHASSIS

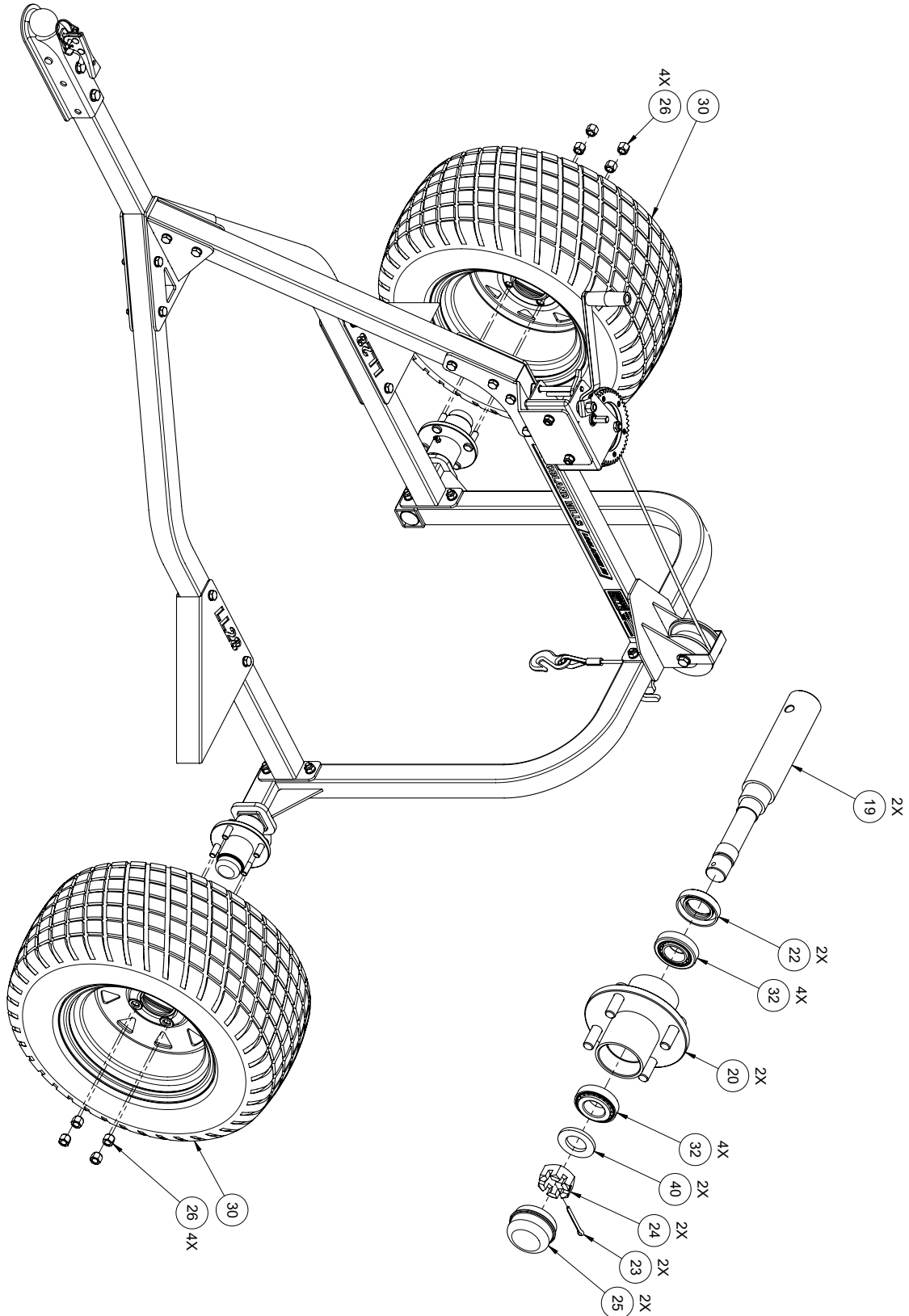




# WINCH & PULLEY

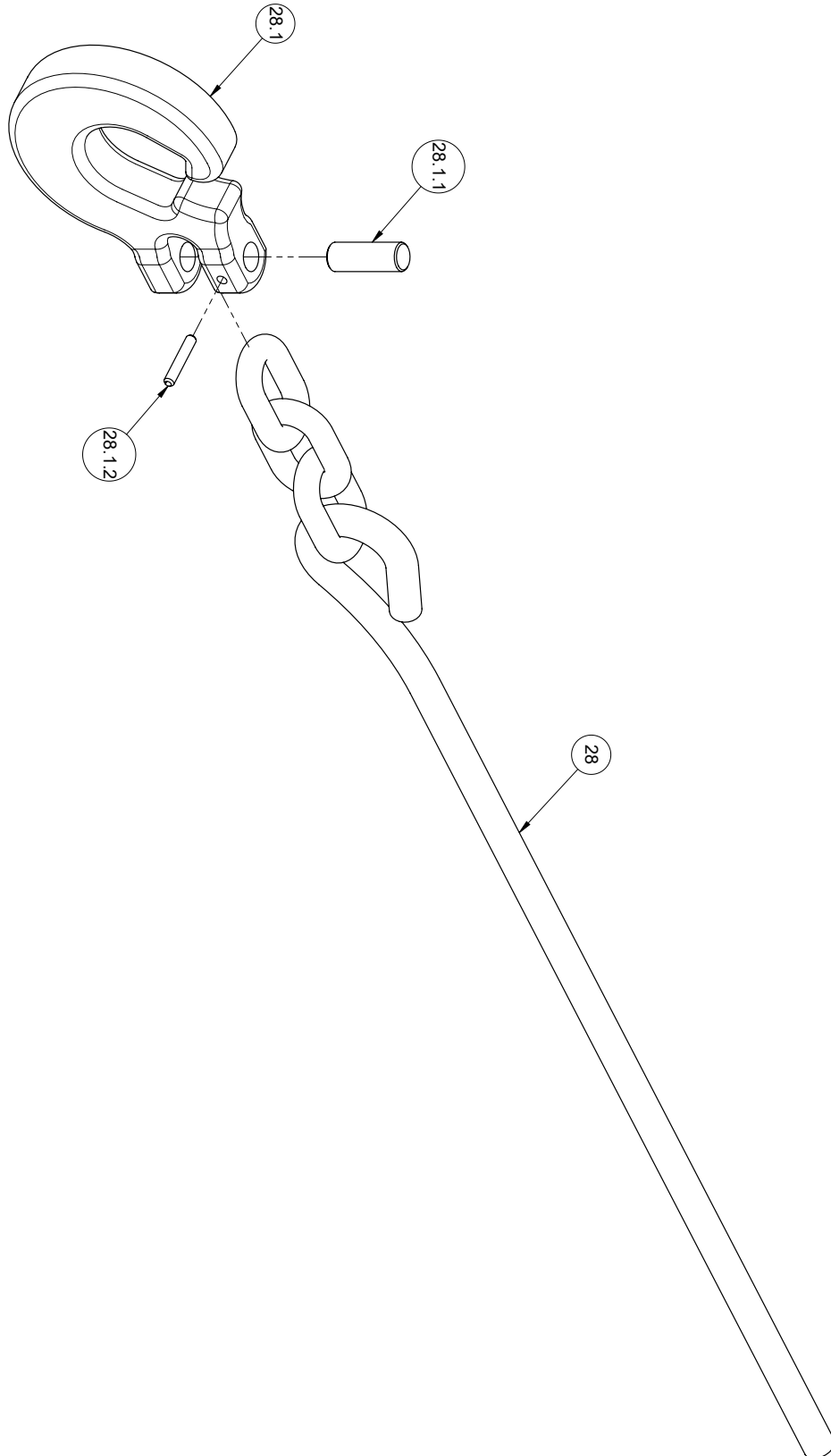


# WHEELS & AXLES





# CHOKER CHAIN



Chain length  
reduced for clarity



## PARTS LIST

Item	Qty	Part No.	Description
1	2	0008063	SIDE BEAM
2	1	0007572	TONGUE
3	1	0008061	FRONT GUSSET, BOTTOM
4	1	0008059	FRONT GUSSET, TOP
5	1	0008062	REAR ARCH
6	1	0007636	CHAIN HOOK
7	1	0008103	CENTRE BEAM, TOP
8	1	0008102	CENTRE BEAM, FRONT
9	1	0008114	GUSSET, CENTRE BEAMS
10	1	0008115	WINCH MOUNT
11	1	0001452	WINCH, 2500 lb
12	1	0008280	WIRE ROPE W/ 5/16 in GRAB HOOK, 1/4 in [6 mm] DIA, 30 ft [9.1 m] LG
13	1	0008104	WIRE ROPE PULLEY, 75 mm GROOVE, 15 mm BORE, DUAL 6001-2RS BEARING
14	2	0004813	RETAINING RING, INTERNAL, 28 mm BORE (29.4 mm GROOVE)
15	2	0004939	SPACER, 12.5 ID X 19 OD X 5 mm LG
16	1	0008116	CABLE RETAINER
17	1	0001381	HITCH BALL COUPLER, 2 in [50.8 mm] BALL, NORTH AMERICA
18	1	0004728	LOCKING PIN, ROUND, 1/4 in DIA, 1-3/8 in USABLE LG, 2 in LG
19	2	0007701	AXLE
20	2	0002283	WHEEL HUB, 4-BOLT, 4 in [101.6 mm] BC, M12 X 1.5 LUGS
21	2	0004909	GREASE FITTING, 45° ELBOW, M6 X 1 TAPERED THD
22	2	0004762	ROTARY SHAFT SEAL, SPRING-LOADED, WIPER LIP, 30 mm SHAFT, 50 mm OD
23	2	0004758	COTTER PIN, 4 mm DIA, 32 mm LG
24	2	0006093	LOCK NUT, SLOTTED, M24 X 1.5, 18 mm THK
25	2	0002285	WHEEL HUB DUST COVER, 4-BOLT, M12 LUGS
26	8	0006202	LUG NUT, M12 X 1.5
27	2	0007751	WHEEL GUARD
28	1	0002595	CHOKER CHAIN, WLL2T CLEVIS LOGGING HOOK, GRADE: 80 / TRADE SIZE: 8 CHAIN, 118 in [300 cm] LG
28.1	1	0008332	CLEVIS LOGGING HOOK, 7/8-8 WLL2T
28.1.1	1	0008334	DOWEL PIN, 9 mm DIA, 25 mm LG
28.1.2	1	0004771	SPRING PIN, SLOTTED, 3 mm DIA, 20 mm LG
29	1	0008321	SERIAL NUMBER LABEL, TRAILERS, WIDE
30	2	23X10.5-12	WHEEL, 23X10.5-12
31	2	6001-2RS	BALL BEARING, SEALED, 12 mm SFT, 28 mm HSG, 8 mm WD
32	4	L44643	ROLLER BEARING, TAPERED, 1 in SFT, 1.98 in HSG, 0.58 in WD
33	2	HHB-MBM080FCM	HEX HEAD BOLT, CLS 10.9, M10 X 1.5, 25 mm LG, FULL
34	8	HHB-MBM130PCM	HEX HEAD BOLT, CLS 10.9, M10 X 1.5, 75 mm LG, 26 mm LG THD
35	14	HHB-MBM135PCM	HEX HEAD BOLT, CLS 10.9, M10 X 1.5, 80 mm LG, 26 mm LG THD
36	2	HHB-MBR130PCM	HEX HEAD BOLT, CLS 10.9, M12 X 1.75, 75 mm LG, 30 mm LG THD
37	1	HHB-MBR145PCM	HEX HEAD BOLT, CLS 10.9, M12 X 1.75, 90 mm LG, 30 mm LG THD
38	48	FTW-MBM000AJ	FLAT WASHER, M10
39	6	FTW-MBR000AJ	FLAT WASHER, M12
40	2	FTW-MCM000AJ	FLAT WASHER, M24
41	24	HLN-MBMCL	LOCK NUT, CLS 10, M10 X 1.5
42	3	HLN-MBRCL	LOCK NUT, CLS 10, M12 X 1.75







---

---

---

---

---

---

---

---

---

---

---

---

---

---

---

---

---

---

---

---

---

---

---

---

---

---

---

---

---

---

This page intentionally left blank.



**DISCOVER THE WOODLAND™**