

WOODLANDER™ OFF-ROAD SAWMILL TRAILER

*Track Not Included



OPERATOR'S MANUAL

0001675-M-EN: Rev C
Publication Date: 25-Oct-2022



DISCOVER THE WOODLAND™

The Woodlander™ and Woodlander™ MAX are sold as *off-road only* sawmill trailers compatible with HM126, HM130 & HM130MAX sawmills. Woodlander™ is a trademark of Woodland Mills, Inc.

This page intentionally left blank.



TABLE OF CONTENTS

TABLE OF CONTENTS	1
INTRODUCTION	3
GENERAL SAFETY RULES	4
INSPECTION/MAINTENANCE	5
TECHNICAL SPECIFICATIONS	6
BOLT TORQUE SPECIFICATIONS	6
UNPACKING	7
COMPONENT LISTS	8
TO-SCALE HARDWARE	10
BOLTS & SCREWS	10
SCALES	12
WASHERS	12
NUTS	13
SAWMILL COMPONENTS	14
SAWMILL HARDWARE	14
TRAILER ASSEMBLY	15
1. TOOLS REQUIRED	15
2. GUSSETS	16
3. SIDE PLATES	18
4. FRONT AND REAR CROSS BEAMS	21
5. SIDE PLATE-TO-RAIL OFFSET & BOLT TORQUING	23
6. INNER CROSS BEAMS AND JACK MOUNTS	27
7. AXLE MOUNTS AND AXLE CROSS BEAM	30
8. AXLES	32
9. TONGUE AND COUPLER	34
10. LIGHTING	36
11. NAMEPLATES	39
12. HEAD LOCK-DOWN PLATES	41
13. WHEELS	44
WHEEL ALIGNMENT ADJUSTMENT	45
14. FENDERS	46
15. SAFETY CHAIN	48



OPERATION	49
LOCKING-DOWN THE SAWMILL HEAD	49
REPLACEMENT PARTS ORDERING	51
EXPLODED ASSEMBLY VIEWS	52
CHASSIS AND TRACK	52
TONGUE	53
NORTH AMERICA	53
EUROPE	53
AXLES, WHEELS, AND FENDERS	54
LIGHTING	55
NORTH AMERICA	55
EUROPE	56
NAMEPLATES	57
SWIVEL JACKS	58
HEAD LOCK-DOWN	59
PARTS LISTS	60
NORTH AMERICA	60
EUROPE	62
NOTES	64



INTRODUCTION

Congratulations on your purchase and welcome to Woodland Mills! This manual gives you the necessary information about your Woodlander™ sawmill trailer so you will be able to use it properly. The entire manual must be read and understood before using the trailer. If any questions should arise that are not covered by this manual, please contact Woodland Mills, Inc.

OWNER'S RECORD

Please take a moment to record the following information about your Woodlander™ sawmill trailer. If you need to call for assistance, please be ready to provide your model and serial numbers. This information will allow us to help you more quickly when you call.

MODEL NUMBER

SERIAL NUMBER

DATE OF PURCHASE

The Woodlander™ sawmill trailer is compatible with HM126, HM130 & HM130MAX sawmill and track systems for milling logs while the trailer is stationary and firmly supported on the ground. It is not intended to carry any additional weight or be used as a utility trailer.

The Woodlander™ and Woodlander™ MAX sawmill trailers are sold as *off-road only* trailers designed for certain applications. We strongly recommend the trailer not be modified and/or used for any application other than that for which it was designed. If you have any questions relative to a particular application, DO NOT use the trailer until you have first contacted Woodland Mills to determine if it can or should be performed using the product.

For technical questions and replacement parts, please contact Woodland Mills, Inc.



GENERAL SAFETY RULES



WARNING!

Read and understand all instructions. Failure to follow all instructions listed below may result serious injury.



WARNING!

The warnings, cautions, and instructions discussed in this instruction manual cannot cover all possible conditions or situations that could occur. It must be understood by the operator that common sense and caution are factors which cannot be built into this product but must be supplied by the operator.



WARNING!

The trailer is not designed to carry any additional weight other than the sawmill and trailer itself while being towed. Failure to heed this warning could result in damage to the trailer and/or the sawmill.

Damage caused by towing additional weight will void the warranty.



WARNING!

The Woodlander™ and Woodlander™ MAX sawmill trailers are sold for ***off-road use only***. It is the owner's responsibility to make the trailer road-worthy if towing on improved roads, complying with all local laws and regulations.



WARNING!

The Woodlander™ and Woodlander™ MAX lock-down pins and ratchet strap system has only been tested for light off-road use to a maximum speed of **20 mph [30 km/h]**. Towing at speeds above this will require additional tie-downs on the sawhead carriage.





INSPECTION/MAINTENANCE

- Check the tires before all trips. Make sure they are inflated to the pressure shown on the tire.
- Grease the axle bearings every 3 months or 1000 miles [1600 km], whichever comes first.
- Check the tow hitch ball coupler. Make sure it is not damaged.
- Check the wheel lug nuts before all trips. Make sure they are torqued properly.
- Check the lights. Make sure all the lights work properly. Replace any lights that do not work.
- Inspect trailer before all trips for any damaged or loose parts.



TECHNICAL SPECIFICATIONS

Item	Specification
Trailer Axle	Independent Torsion Axle Design
Trailer Wheels	5 Bolts @ 4.5 in [114 mm] & 5.30-12 DOT Approved Tires
Tire Pressure	Refer to Tire
Wheel Nut Torque	80 ft•lb [110 N•m]
Trailer Ball Coupler	2 in [50 mm]
Trailer Lights	LED Light Kit (stop, turn, tail, side markers, and license plate light)
Finish	Powder Coat Paint / Galvanized Steel
Fenders	Removable
Safety	Locking pins and safety straps to secure sawhead while travelling
Shipping Weight	Woodlander: 640 lb [290 kg]
	Woodlander MAX: 655 lb [297 kg]
Product Weight	Woodlander: 556 lb [252 kg]
	Woodlander MAX: 571 lb [259 kg]

BOLT TORQUE SPECIFICATIONS

Bolt (Thread Size)	Torque
M5	78 in•lb [9 N•m]
M6	133 in•lb [15 N•m]
M8	333 in•lb [38 N•m]
M10	53 ft•lb [72 N•m]
M12	93 ft•lb [126 N•m]



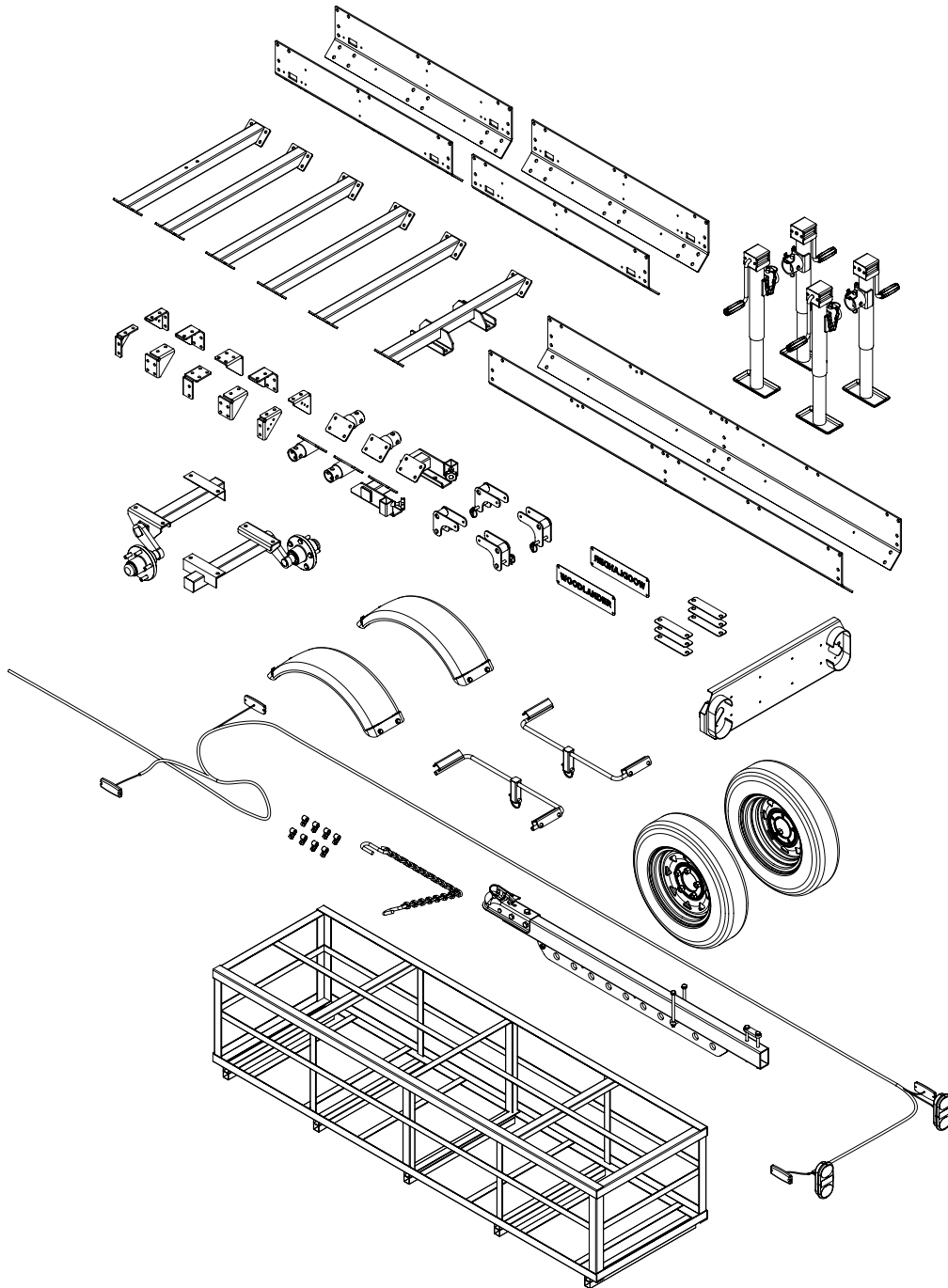
BOLT TORQUE WARNING!

The torque specifications listed above apply only to the track and trailer assembly outlined in this manual. They do *not* apply to the sawmill assembly. Follow the instructions in the sawmill operator's manual when assembling the carriage and sawhead.



UNPACKING

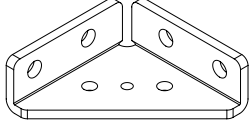
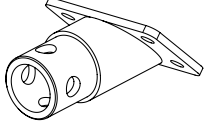
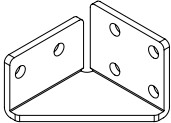
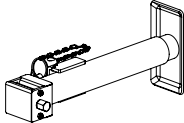
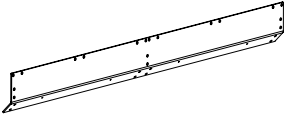

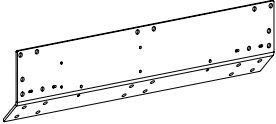
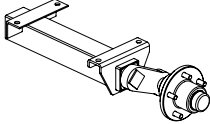
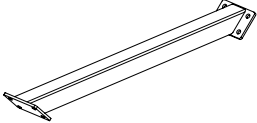
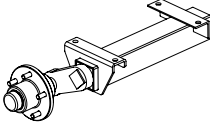
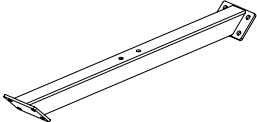
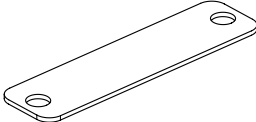
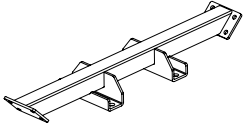
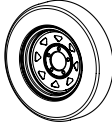
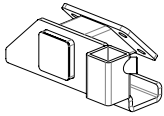
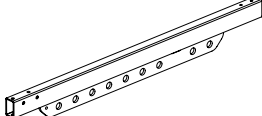
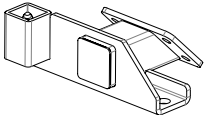

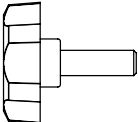
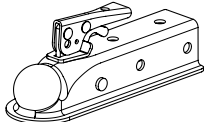
Remove all the parts from the steel crate. Set the crate aside as it will be used as a support for several of the assembly steps.



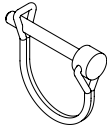

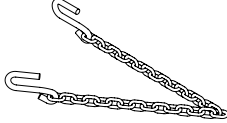
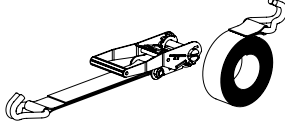
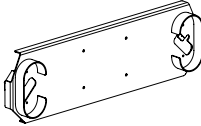
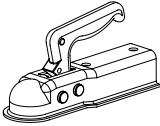
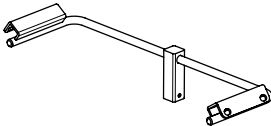
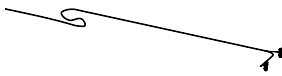
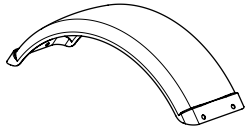
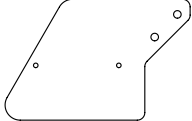
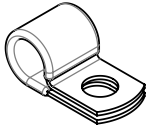
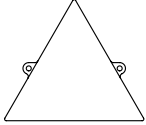
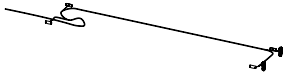


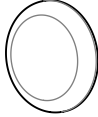
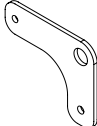
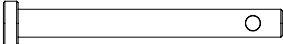
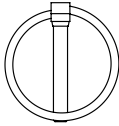


COMPONENT LISTS

Verify all component and hardware quantities are correct prior to assembling the trailer.

4x	End Gusset [0001373]		4x	Jack Mount [0001376]	
6x	Joining Gusset [0001374]		4x	Swivel Jack [0006798]	
2x	Long Side Plate [0001363]		2x	Swivel Jack Handle [0006800]	
4x	Short Side Plate [0001364]		1x	Left Axle Assembly	
4x	Cross Beam [STD: 0001369] [MAX: 0002900]		1x	Right Axle Assembly	
1x	Front Cross Beam [STD: 0001370] [MAX: 0002899]		6x	Axle Shim Plate [0001682]	
1x	Axle Cross Beam [STD: 0001679] [MAX: 0002898]		2x	Wheel [5.30-12]	
1x	Left Axle Mount [0001680]		1x	Tongue [0001371]	
1x	Right Axle Mount [0001681]		2x	Tongue Bracket [0001372]	
2x	Knob M10 X 30 mm [0001698]		1x	Hitch Ball Coupler (North America) [0001381]	



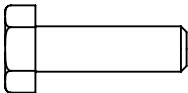
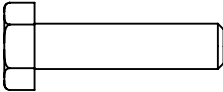
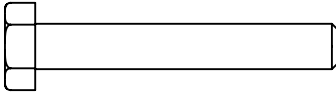
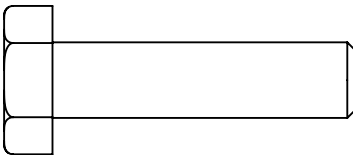
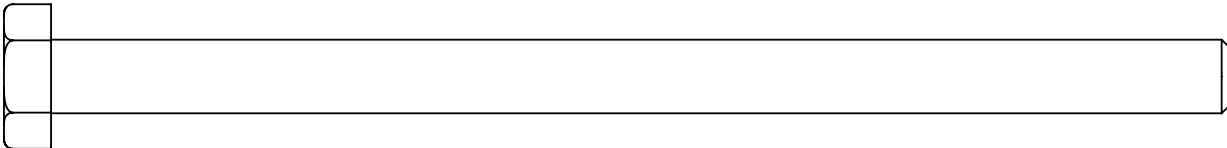
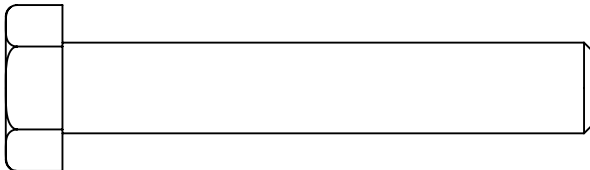
3x	Round Locking Pin [0004728]		1x	Drill Bit 10 mm [0004742]	
1x	Safety Chain [0001382]		1x	Ratchet Strap [0005146]	
1x	Taillight Bracket [STD: 0001375] [MAX: 0002901]		1x	Hitch Ball Coupler (Europe) [0001702]	
2x	Fender Bracket [0001683]		1x	Wiring Harness (Europe) [0001676-2]	
2x	Fender [0001684]		2x	Reflector Bracket (Europe) [0001379]	
8x	Cable Clamp [0001396]		2x	Rear Reflector (Europe) [0001390]	
1x	Wiring Harness (North America) [0001676-1]		4x	Side Reflector (Europe) [0001391]	
2x	Nameplate [0001886]		2x	Front Reflector (Europe) [0001392]	
8x	Lock-Down Plate [0001990]		<p>STD = Woodlander (Standard) MAX = Woodlander MAX</p> <p>Components in RED are specific to European trailers</p>		
4x	Lock-Down Pin [0001394]				
4x	Linch Pin [0004720]				



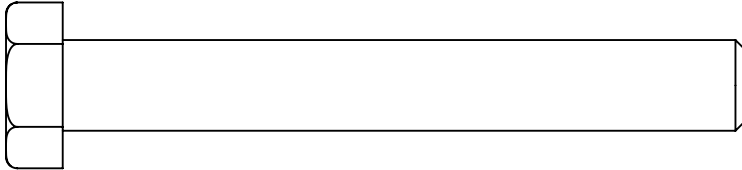
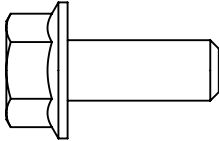
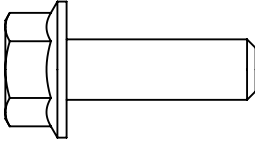
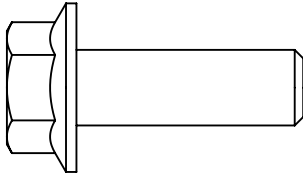
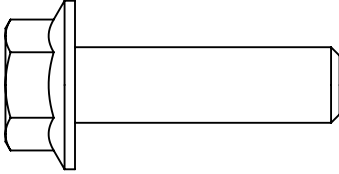
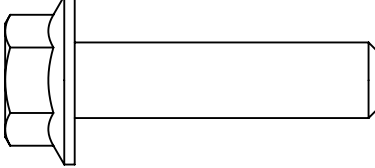
TO-SCALE HARDWARE

BOLTS & SCREWS

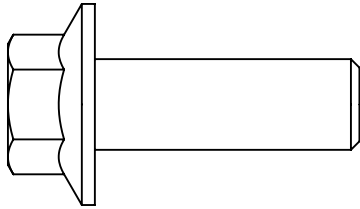
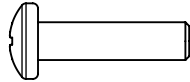
Hardware graphics are printed at 1:1 scale for ease of identification. Simply place the hardware over the image in the tables to verify it is the correct size.

16x	HHB-MBE075FCJ	M6 X 1 X 20 mm HEX BOLT	
4x	HHB-MBE080FCJ	M6 X 1 X 25 mm HEX BOLT	
4x	HHB-MBE095FCJ	M6 X 1 X 40 mm HEX BOLT	
1x	HHB-MBM095FCM	M10 X 1.5 X 40 mm HEX BOLT	
4x	HHB-MBM215PCM	M10 X 1.5 X 160 mm HEX BOLT	
2x	HHB-MBR125PCM*	M12 X 1.75 X 70 mm HEX BOLT	



2x	HHB-MBR155PCM**	M12 X 1.75 X 100 mm HEX BOLT
		
8x	FHH-MBJ075FCJ	M8 X 1 X 20 mm FLANGED HEX BOLT
		
4x	FHH-MBJ080FCJ	M8 X 1 X 25 mm FLANGED HEX BOLT
		
116x	FHH-MBM085FCM	M10 X 1.5 X 30 mm FLANGED HEX BOLT
		
32x	FHH-MBM090PCM	M10 X 1.5 X 35 mm FLANGED HEX BOLT
		
8x	FHH-MBM095PCM	M10 X 1.5 X 40 mm FLANGED HEX BOLT
		



8x	FHH-MBR090PCM	M12 X 1.75 X 35 mm FLANGED HEX BOLT
		
8x	PPH-MBA075FCE***	M5 X 0.8 X 20 mm PHILLIPS PAN HEAD SCREW
		

*** M12 X 1.75 X 70 mm Hex Bolts not applicable on European trailers**

**** M12 X 1.75 X 100 mm Hex Bolts not applicable on North American trailers**

***** M5 X 0.8 X 20 mm Phillips Pan Head Screw quantity 12x on European trailers**

SCALES

Ruler scales are also provided below to double-check bolt and screw lengths when necessary.


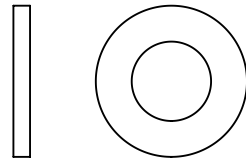


CENTIMETRES / MILLIMETRES



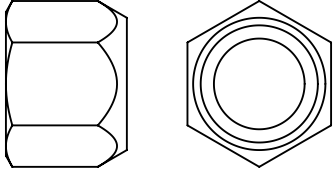
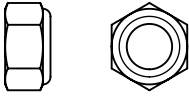
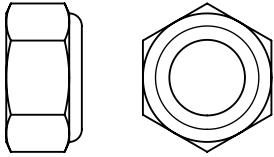
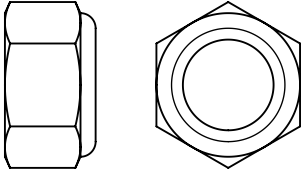
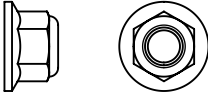
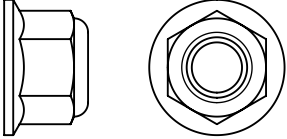
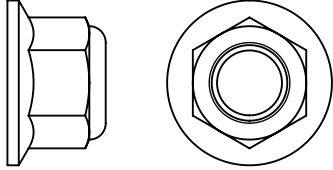
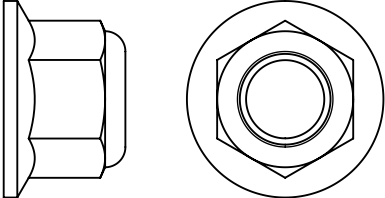
INCHES

WASHERS

28x	FTW-MBE000AJ M6 FLAT WASHER	6x	FTW-MBM000AJ M10 FLAT WASHER
			



NUTS

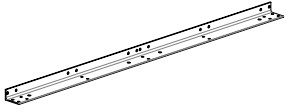
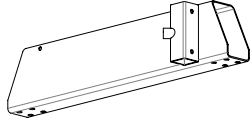
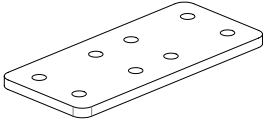
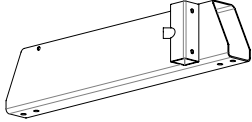
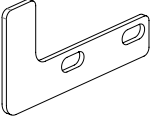
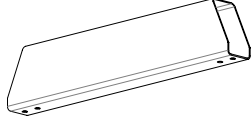
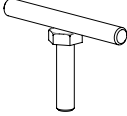
10x	0006202 M12 X 1.5 LUG NUT	24x	HLN-MBECH M6 X 1 LOCK NUT
			
5x	HLN-MBMCL M10 X 1.5 LOCK NUT	2x	HLN-MBRCL M12 X 1.75 LOCK NUT
			
8x	FLN-MBACH M5 X 0.8 FLANGED LOCK NUT*	12x	FLN-MBJCH M8 x 1 FLANGED LOCK NUT
			
156x	FLN-MBMCL M10 X 1.5 FLANGED LOCK NUT	8x	FLN-MBRCL M12 X 1.75 FLANGED LOCK NUT
			

* M5 X 0.8 Flanged Lock Nut quantity 14x on European trailers



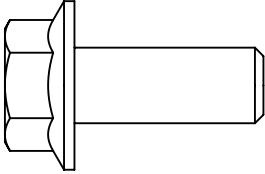
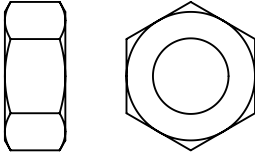
SAWMILL COMPONENTS

These components from the sawmill are required to build the trailer. They do not ship with the Woodlander™ trailer.

4x	Track Rail [0001073]		1x	Centre Bunk [0001084]	
2x	Reinforcement Plate [0001072]		2x	Mid Bunk [0001080]	
4x	Carriage Stop [0001055]		2x	End Bunk [0001075]	
3x	T-Bolt M10 X 40 mm [0001059]				

SAWMILL HARDWARE

None of the hardware from the sawmill is used to build the trailer with the exception of the log support hardware listed below.

6x	FHH-MBM080FCM M10 X 1.5 X 25 mm FLANGED HEX BOLT		6x	HXN-MBMCH M10 X 1.5 HEX NUT	
----	--	---	----	---------------------------------------	---

See section, **LOG SUPPORTS**, under **TRACK ASSEMBLY** in the Sawmill Operator's Manual for information on how to install this hardware.



TRAILER ASSEMBLY

1. TOOLS REQUIRED

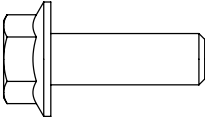
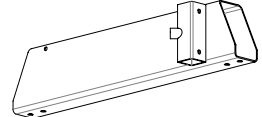
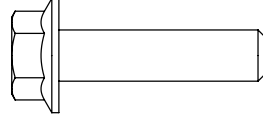
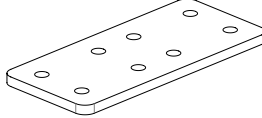
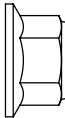
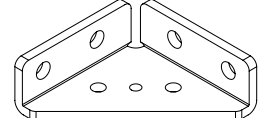
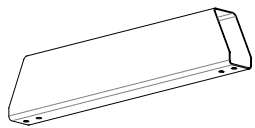
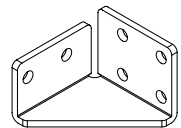
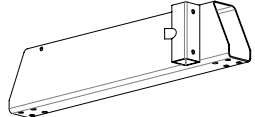
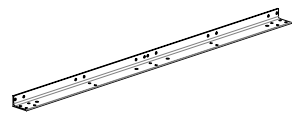
Tool	Specification
Phillips Head Screwdriver	No. 3
Wrench/Socket	8 mm
Wrench/Socket	9 mm
Wrench/Socket	10 mm
Wrench/Socket	13 mm
Wrench/Socket	14 mm
Wrench/Socket	15 mm
Wrench/Socket	18 mm
Adjustable Wrench	Variable
Torque Wrench	Capable of 93 ft•lb [126 N•m]
Drill	Corded or cordless



2. GUSSETS

Using the hardware listed below, assemble the gussets to the track as shown on the next page.

Ensure the track width is set correctly (see track widths on next page), and measure diagonally to check for squareness. Torque all bolts per the table in section, **BOLT TORQUE SPECIFICATIONS**.

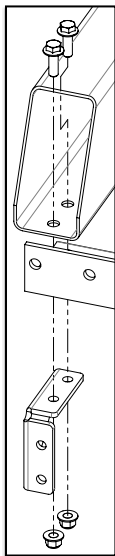
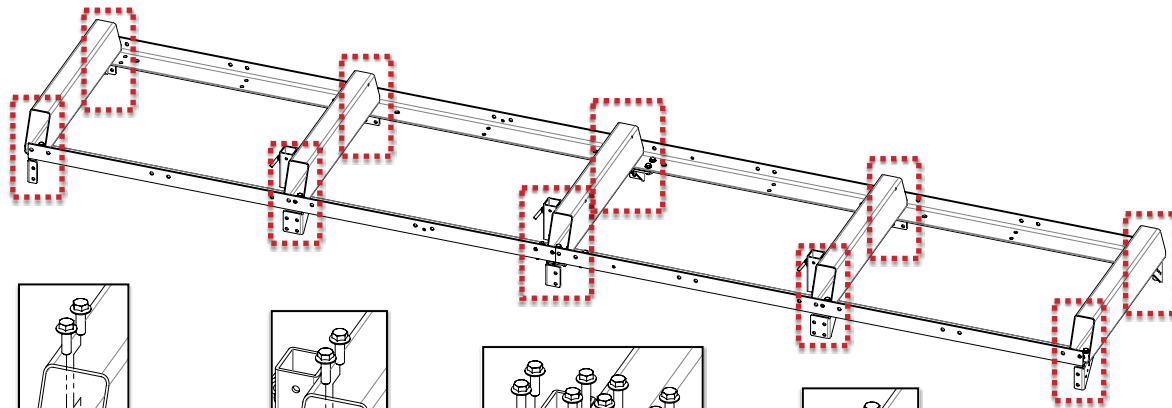
24x	M10 X 30 mm Flanged Hex Bolt		2x	Mid Bunk	
8x	M10 X 40 mm Flanged Hex Bolt		2x	Reinforcement Plate	
32x	M10 Flanged Lock Nut		4x	End Gusset	
2x	End Bunk		6x	Joining Gusset	
1x	Centre Bunk		4x	Track Rail	

Track components listed in these tables are *not* included with the trailer package, namely track rails, reinforcement plates, bunks, and carriage stops. These components are found in the sawmill crate. If the trailer was purchased for an existing sawmill (i.e. the sawmill is currently assembled), the track will need to be disassembled prior to building the trailer and the following assembly instructions performed.

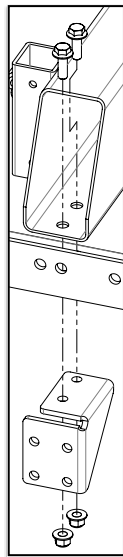


Use the fasteners included with the sawmill trailer to assemble the track. The fasteners included with the sawmill track will *not* be used.

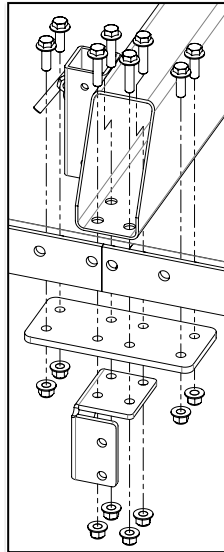




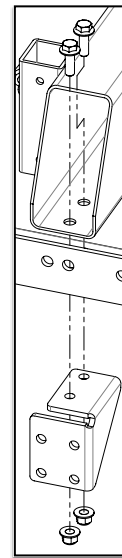
- 1x End Bunk
- 4x M10 x 30 mm
- 4x M10 Lock Nut
- 2x End Gusset



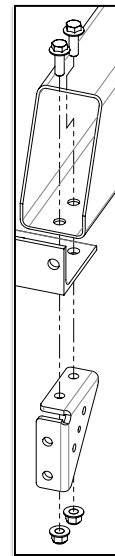
- 1x Mid Bunk
- 4x M10 x 30 mm
- 4x M10 Lock Nut
- 2x Joining Gusset



- 1x Centre Bunk
- 8x M10 x 30 mm
- 8x M10 x 40 mm
- 16x M10 Lock Nut
- 2x Joining Gusset
- 2x Joining Plate

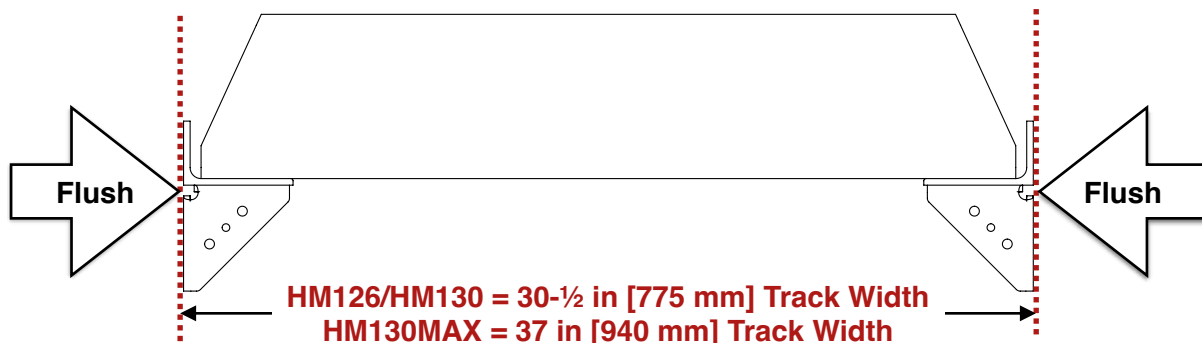


- 1x Mid Bunk
- 4x M10 x 30 mm
- 4x M10 Lock Nut
- 2x Joining Gusset



- 1x End Bunk
- 4x M10 x 30 mm
- 4x M10 Lock Nut
- 2x End Gusset

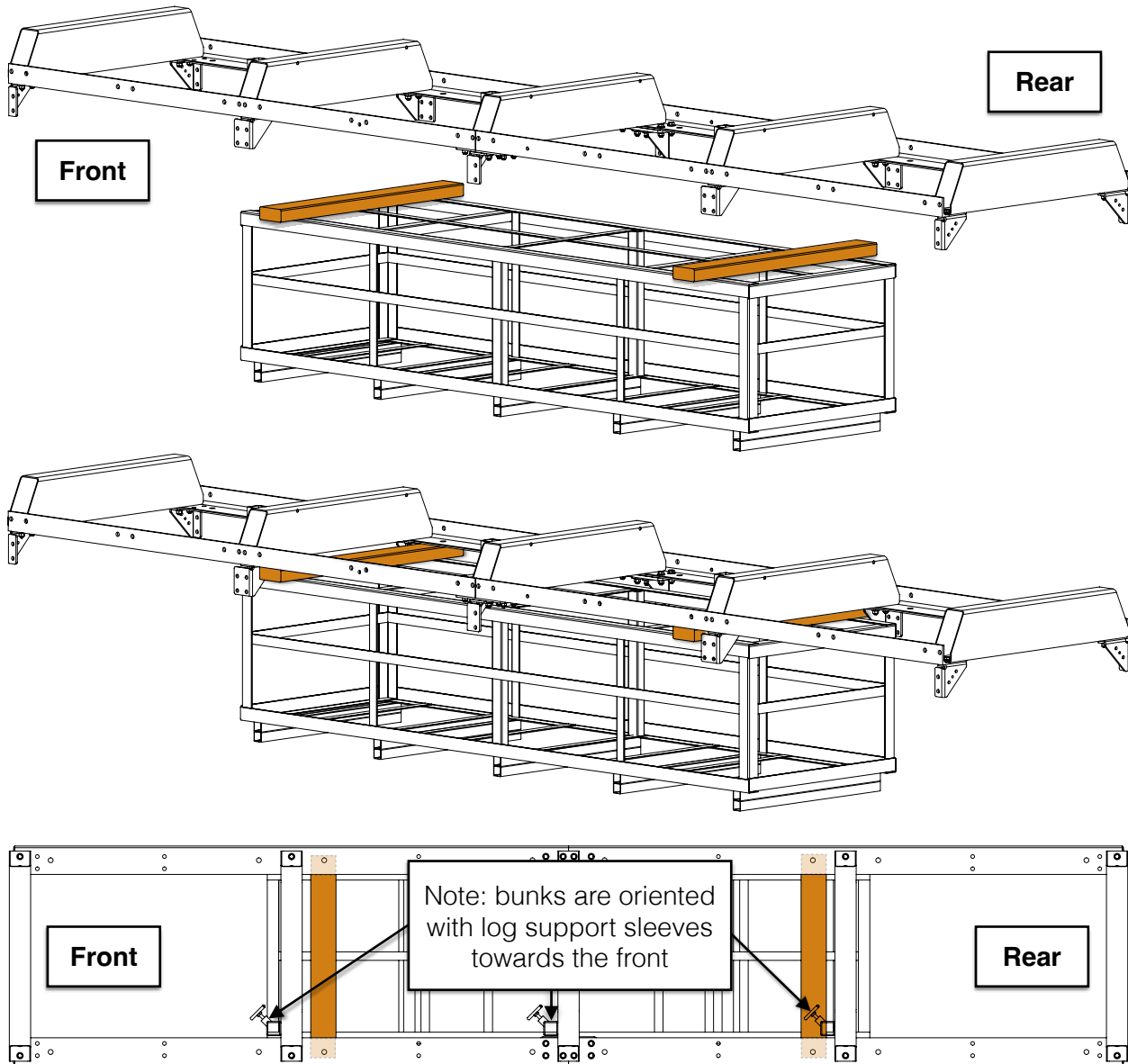
The above steps need to be completed on both left and right sides of the track. Make sure the gussets are flush with the outside face of the track rails as shown below.





3. SIDE PLATES

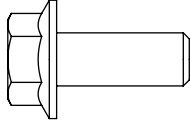
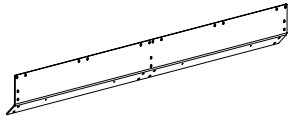
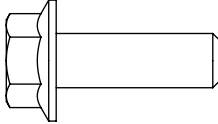
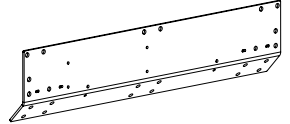
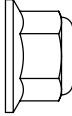
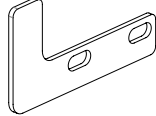
Using the shipping crate as an assembly aid, lay two (2) 2X4s across the top the crate near each end. Position the track/gusset assembly on the 2X4s, ensuring it is centred end-to-end. The 2X4s need to be long enough to support the track rails but shorter than the track is wide.

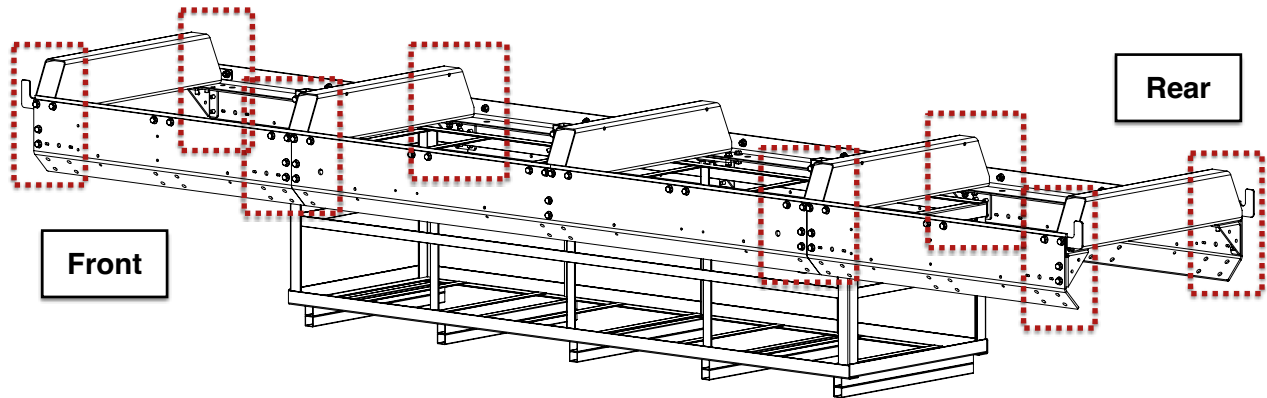


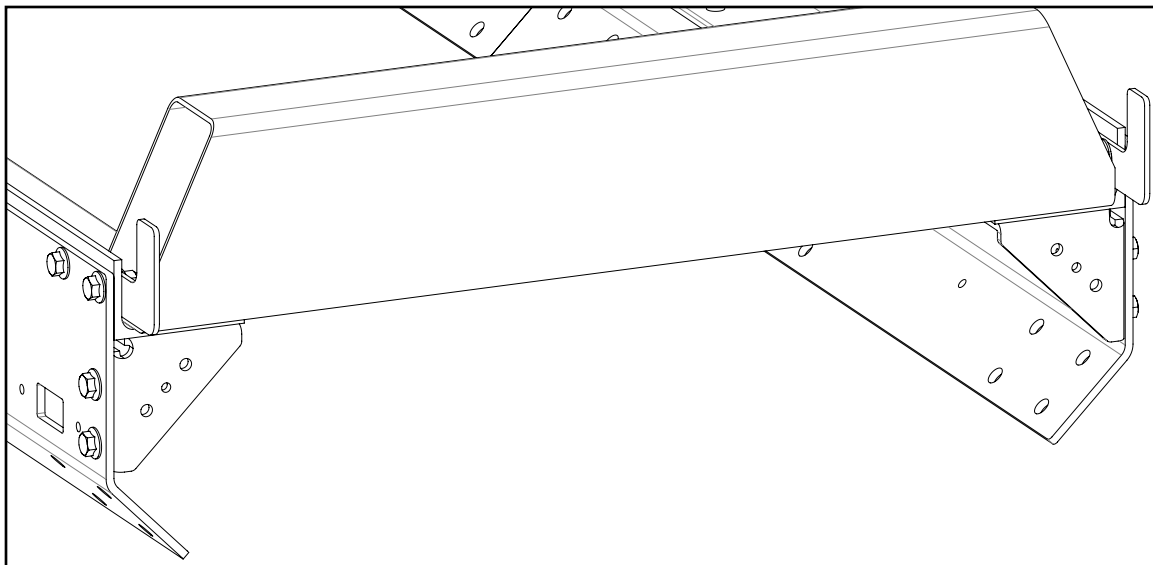
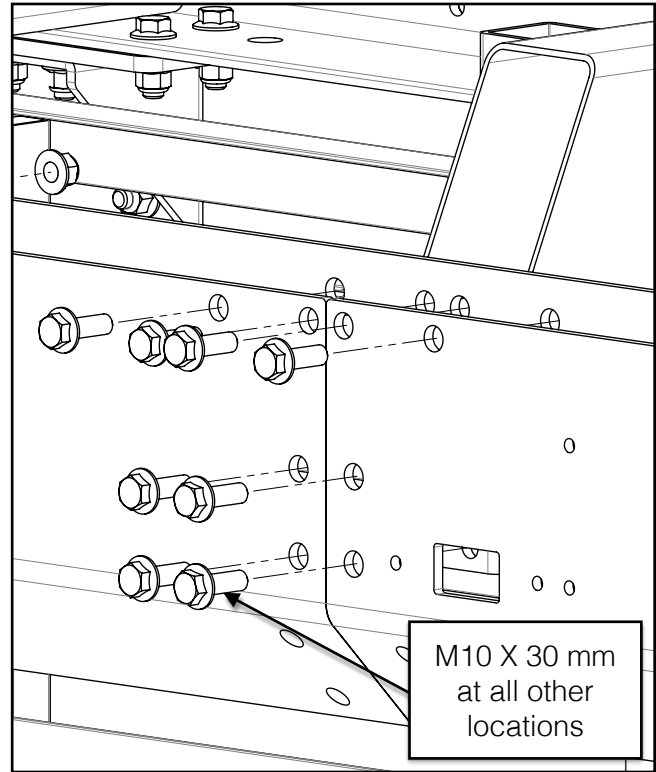
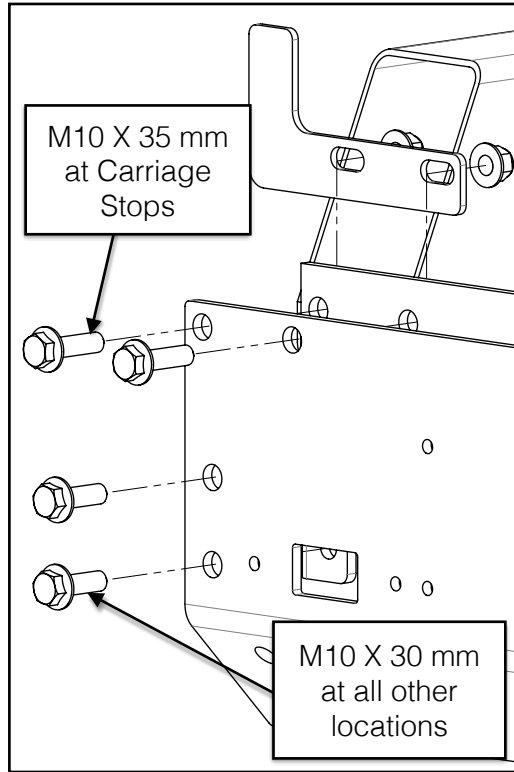
For either the HM126 or HM130, use 30 in [762 mm] long 2X4s. Use 36 in [914 mm] long 2X4s for the HM130MAX.



Using the hardware listed below, hang the side plates using the M10 X 30 mm and M10 X 35 mm bolts. Do not tighten these bolts. The eight (8) M10 X 35 mm bolts are used with the carriage stops. The M10 X 30 mm bolts are used everywhere else.

68x	M10 X 30 mm Flanged Hex Bolt		2x	Long Side Plate	
8x	M10 X 35 mm Flanged Hex Bolt		4x	Short Side Plate	
76x	M10 Flanged Lock Nut		4x	Carriage Stop	


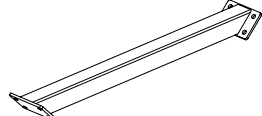
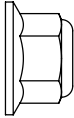
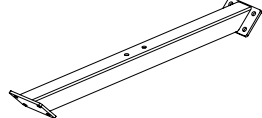


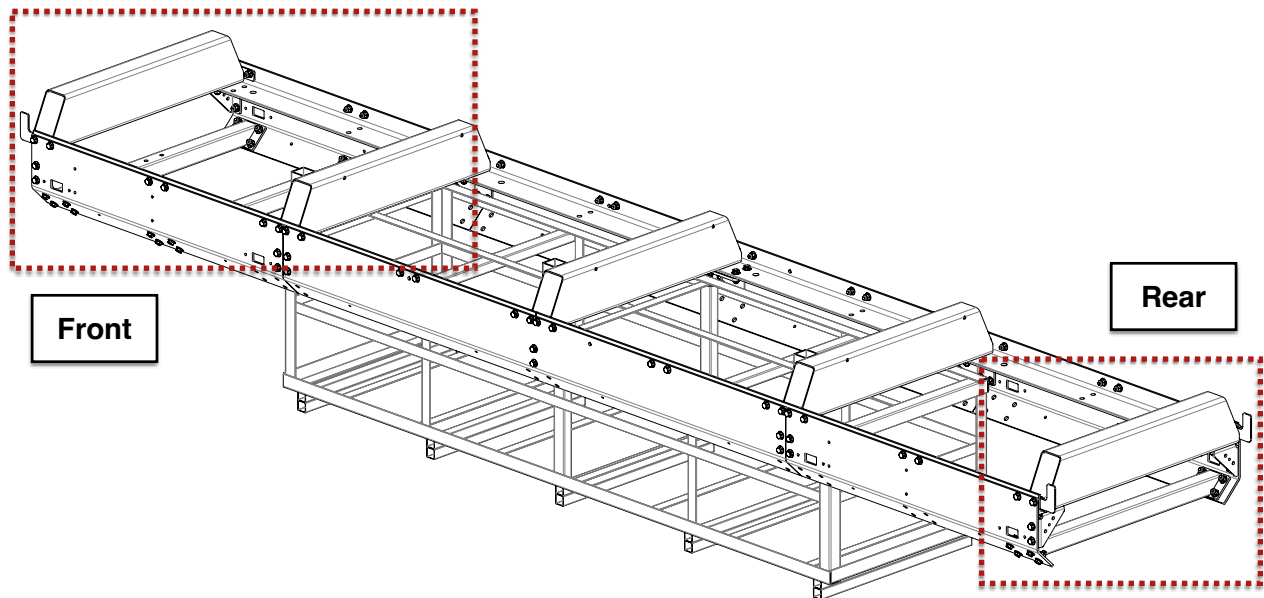


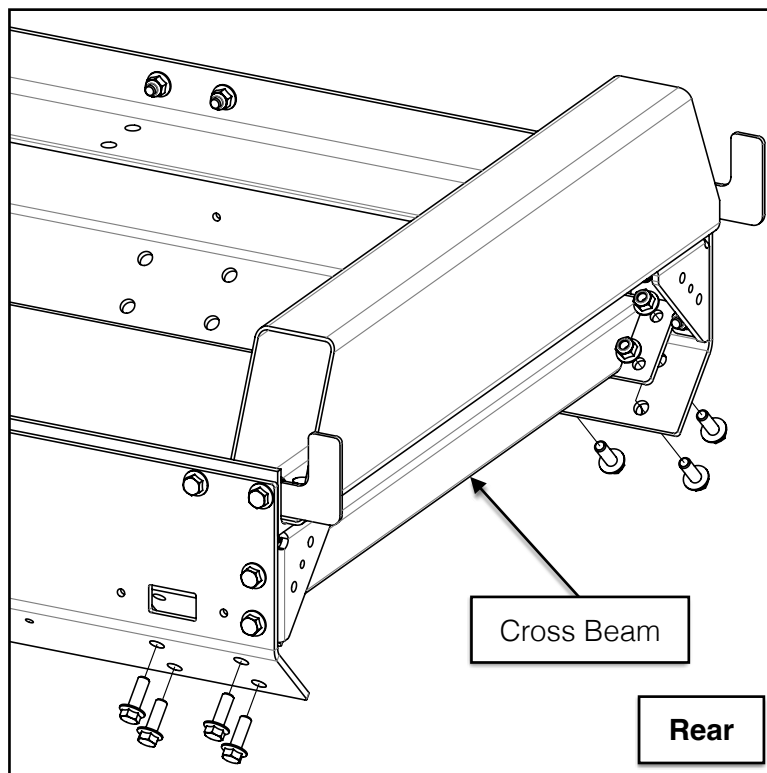
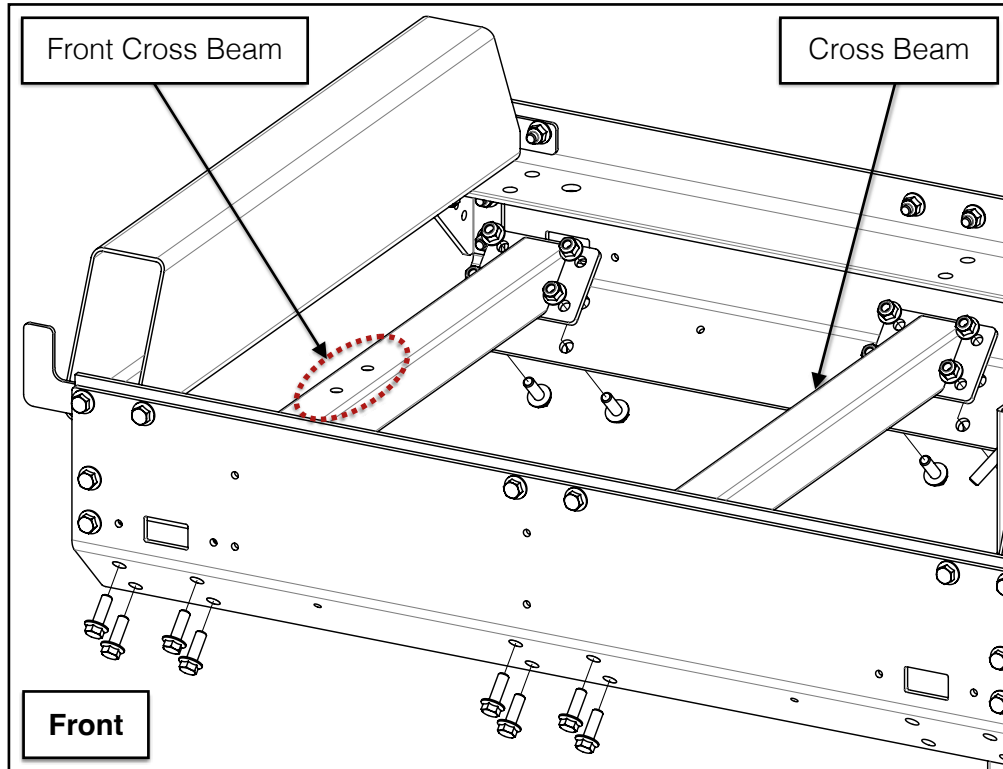


4. FRONT AND REAR CROSS BEAMS

Using the hardware listed below, install the front and rear cross beams (2 front, 1 rear). Ensure the cross beam with the two holes is assembled at the front. Do not tighten these bolts.

24x	M10 X 30 mm Flanged Hex Bolt		2x	Cross Beam	
24x	M10 Flanged Lock Nut		1x	Front Cross Beam	

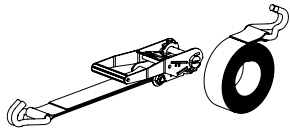
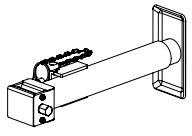
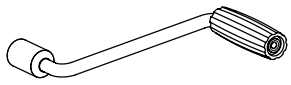




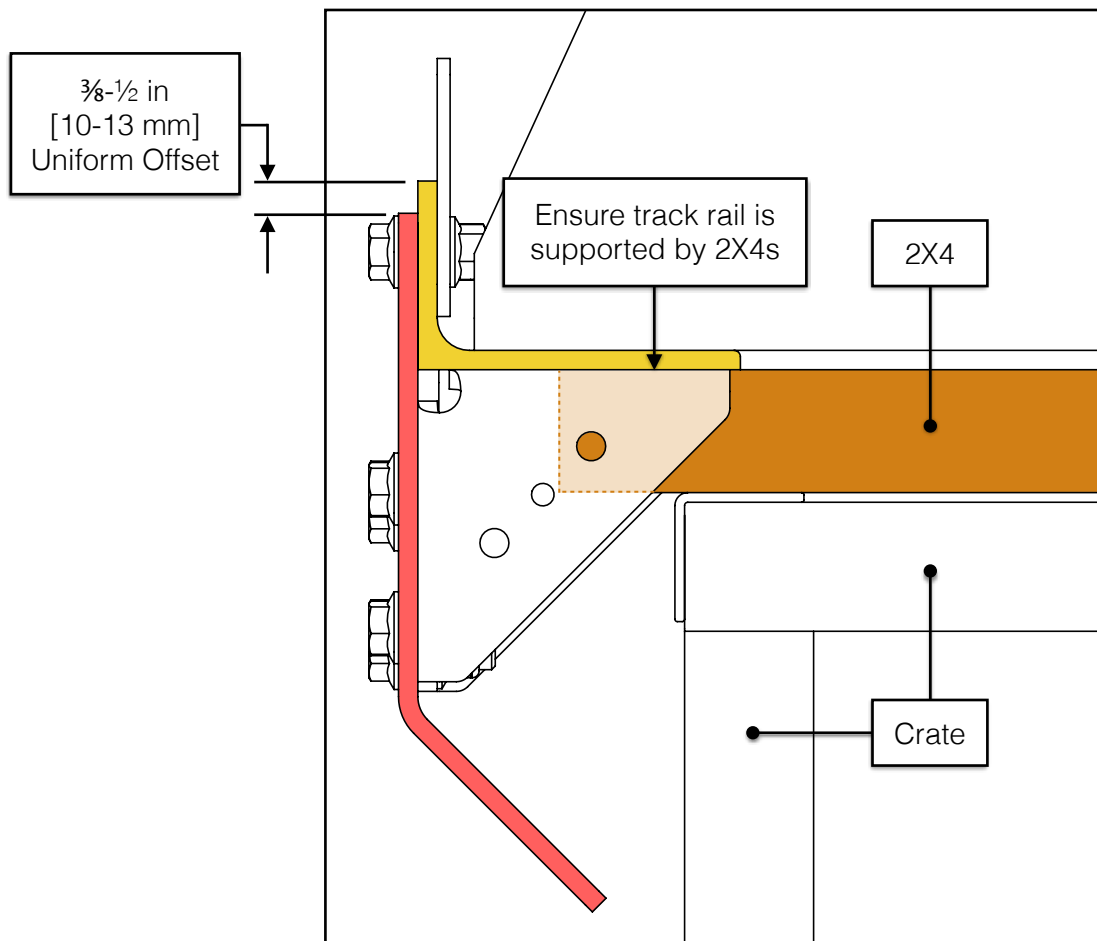


5. SIDE PLATE-TO-RAIL OFFSET & BOLT TORQUING

Use the components listed below to assist with correcting any side plate-to-rail offsets and gaps.

1x	Ratchet Strap		4x	Swivel Jack	
			1x [2x]	Swivel Jack Handle	

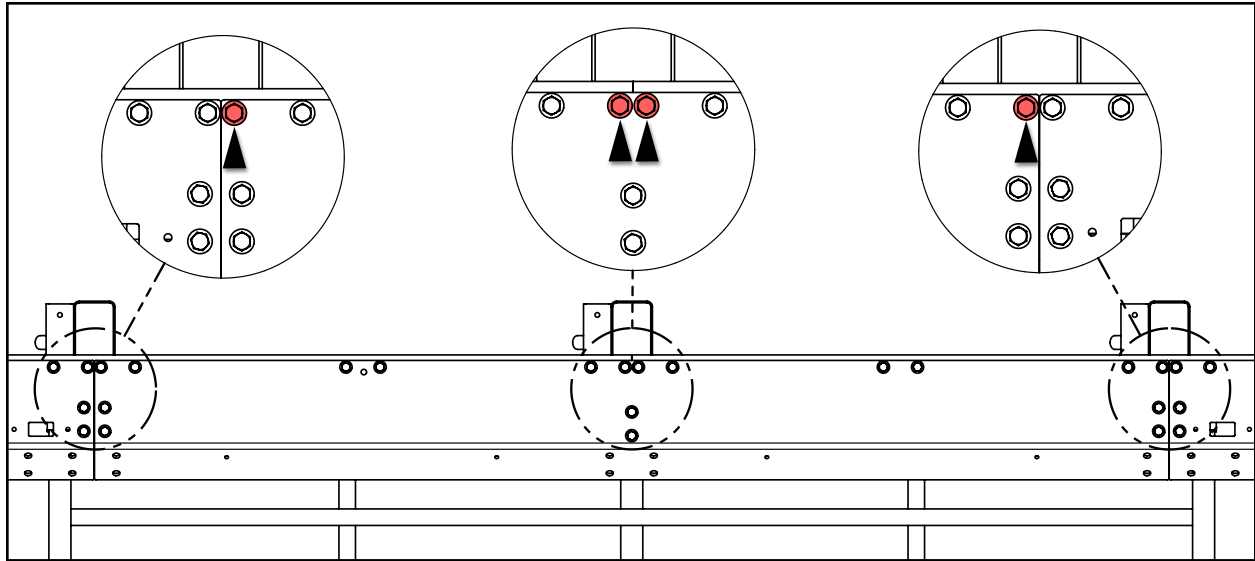
Before torquing the chassis bolts as shown on the following 3 pages, verify there is a $\frac{3}{8}$ - $\frac{1}{2}$ in [10-13 mm] offset between the top of the track rails and the top of the side plates. The offset must be uniform along the entire length of the trailer on both sides.



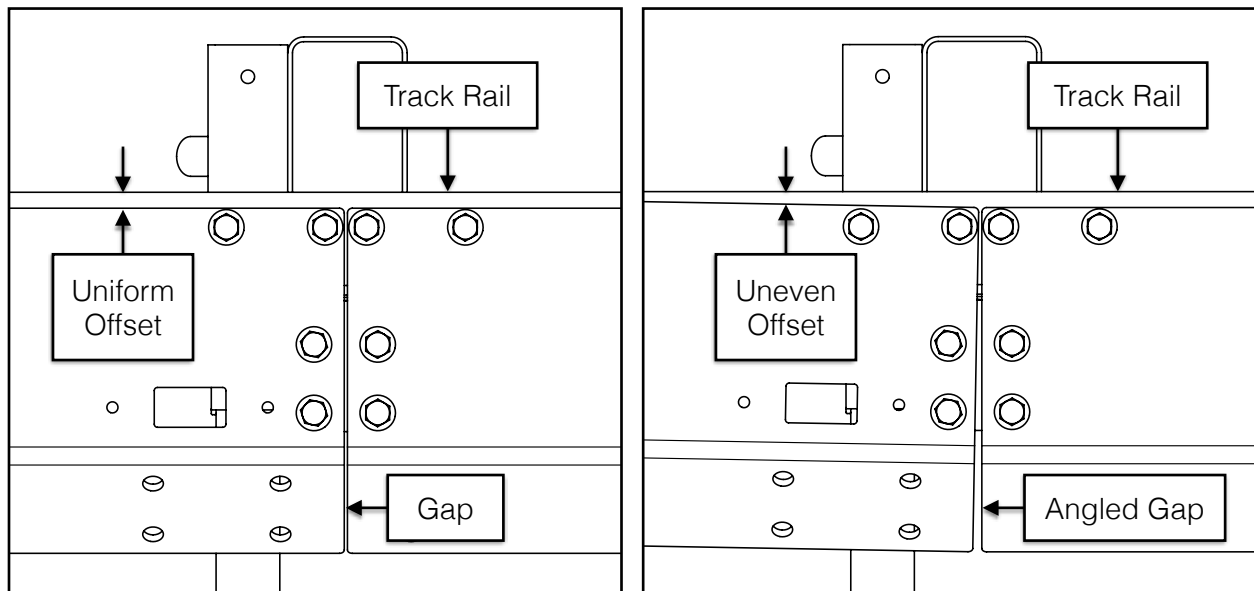
If the offset is not uniform, ensure the track is sitting on the 2X4s and not the crate. The side plates need to hang from the rails unobstructed, with only the force of gravity pulling them down.



Ensuring the side plate-to-rail offset is uniform, tighten and torque *only* the four (4) highlighted bolts securing the long side plate. Do this for both sides of the trailer.



With the long side plate secured in place, note the gaps (if any) between the short side plates and the long side plates.

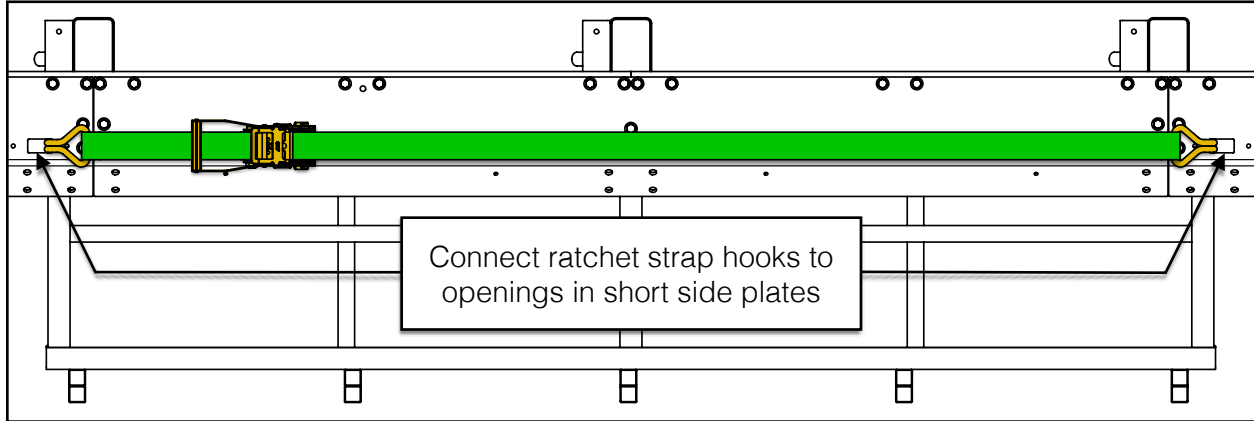


If there are gaps, or if the short side plates are not hanging parallel to the top of the track rails, the included ratchet strap can be used to pull the plates together before torquing the bolts as shown on the next page.

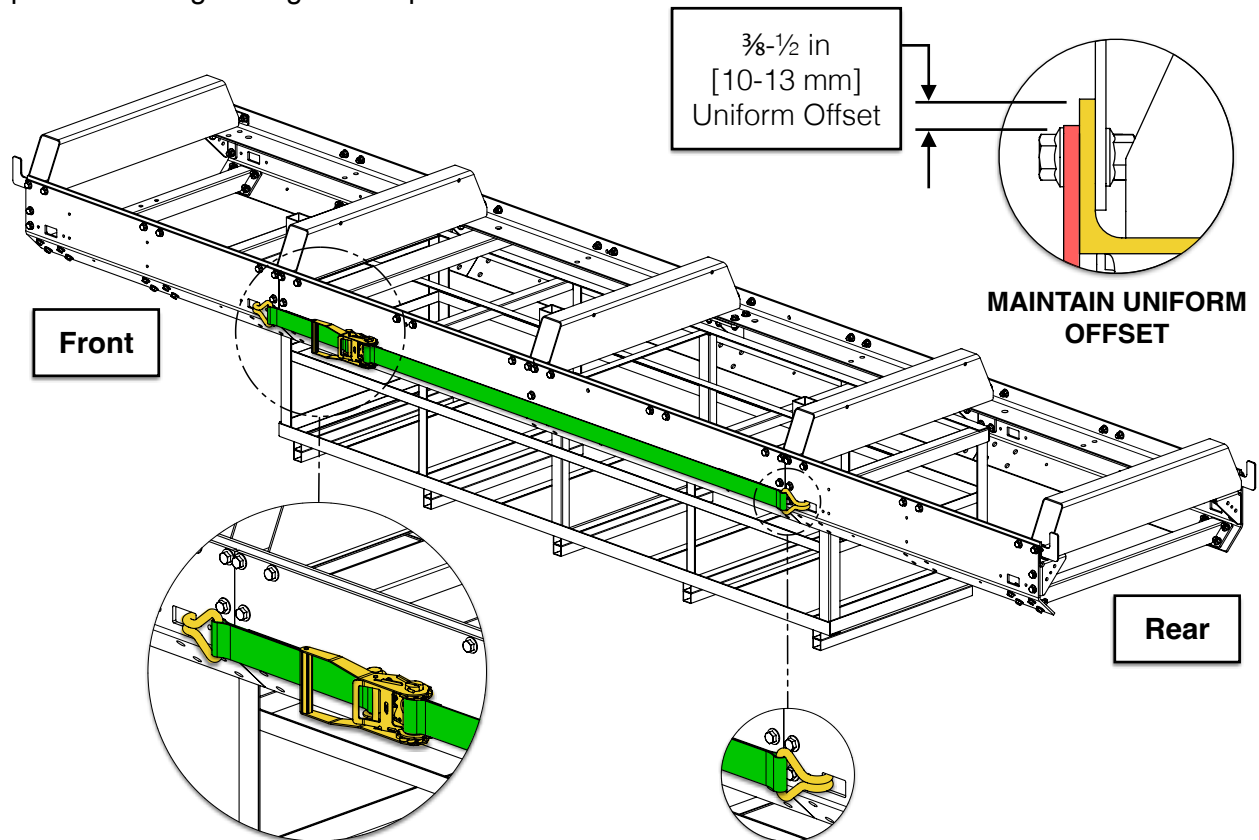
****Note: If the side plates butt together with no gap, skip to page 18.****



Attach the ratchet strap hooks to the rectangular openings in the short side plates and pull the sides plates together to help eliminate any gaps. Keep the strap in place until all the bolts are torqued as outlined on the next page.

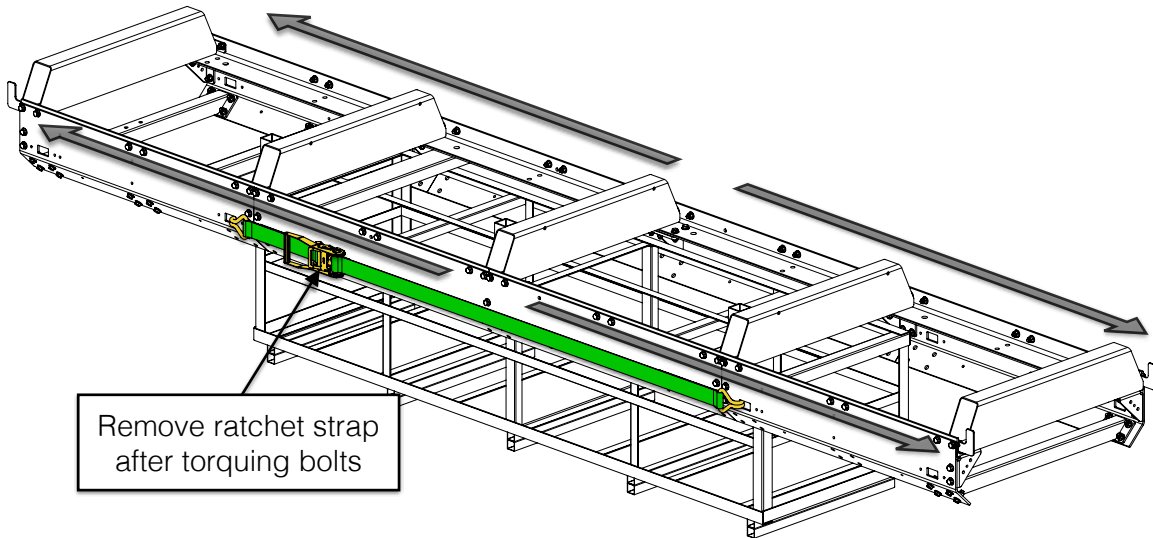


Remember to maintain a uniform offset between the top of the track rails and the top of the side plates when tightening the strap.

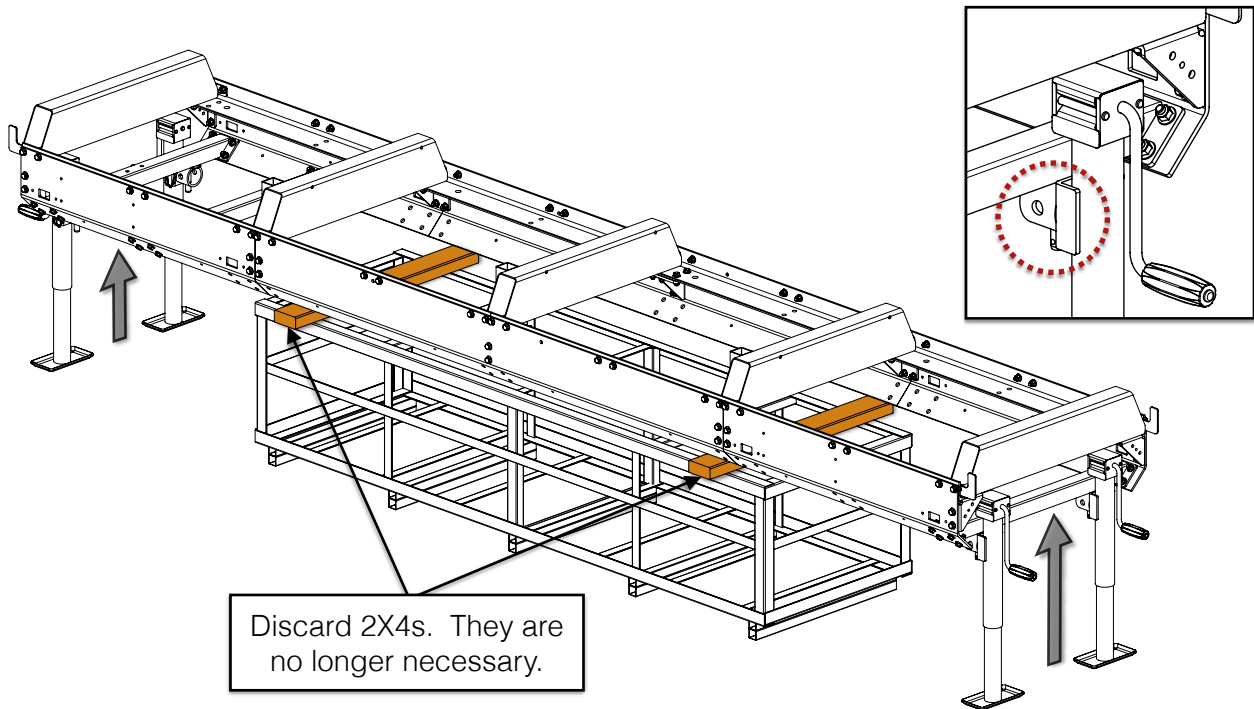




While maintaining a uniform side plate-to-rail offset, torque the remaining bolts per the table in section, ***BOLT TORQUE SPECIFICATIONS***, starting from the centre and working towards the outer ends. Ensure the track is straight, level, and square during this procedure.



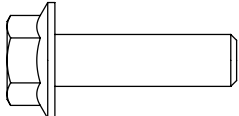
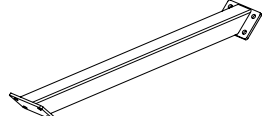
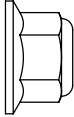
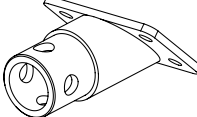
Position the swivel jack receivers under the front and rear *cross beams* as shown below and raise the assembly until the side plates are above the crate. Discard the two (2) 2X4s.

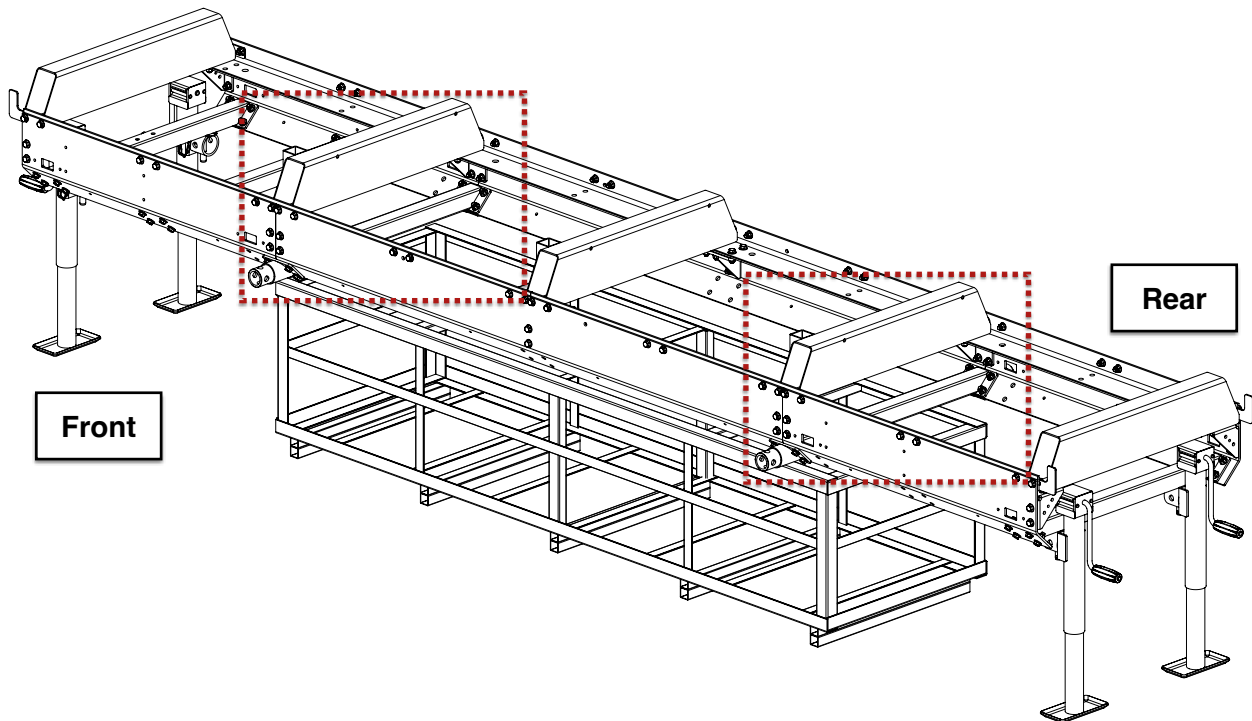


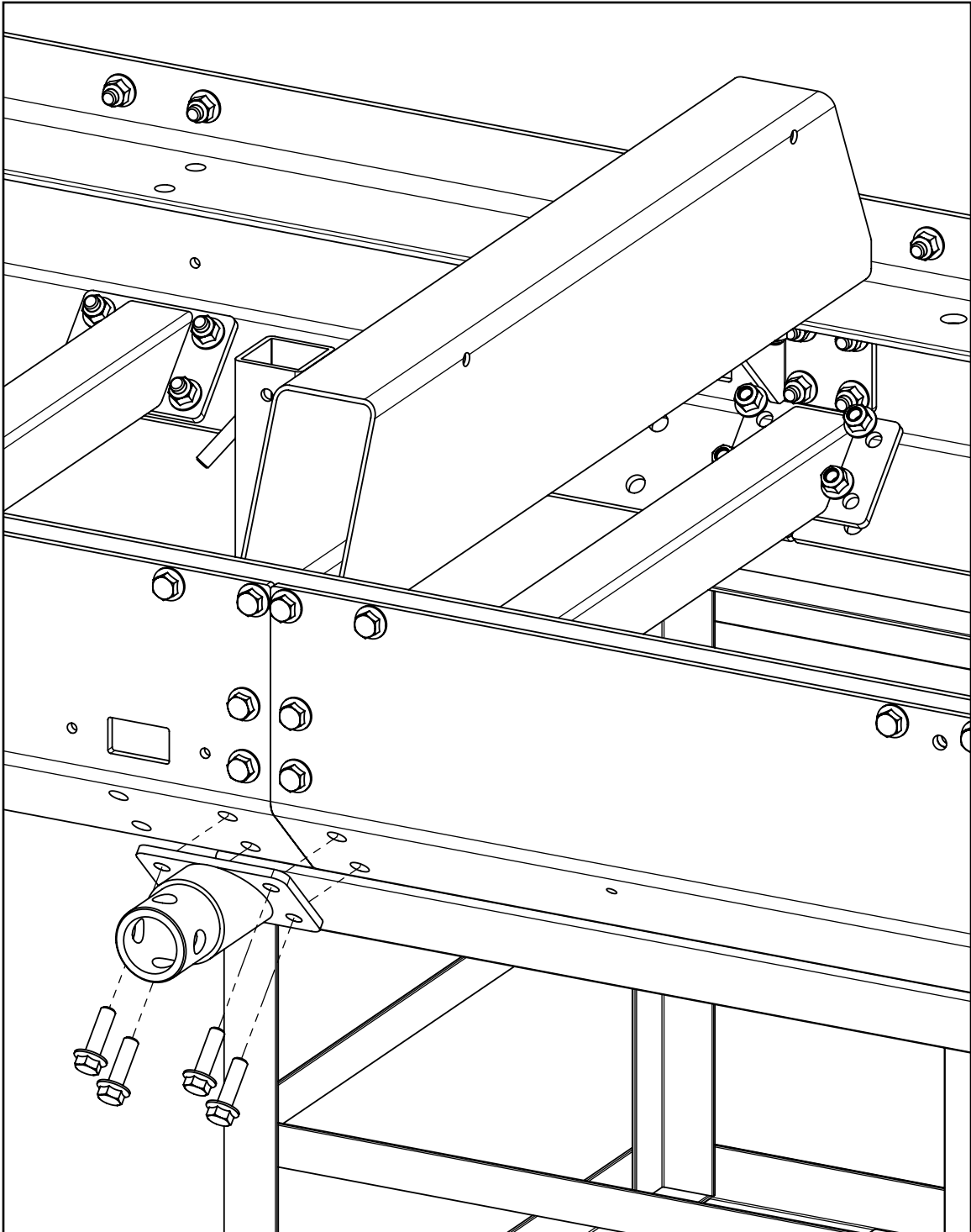


6. INNER CROSS BEAMS AND JACK MOUNTS

Using the hardware listed below, install the 2 remaining cross beams and 4 jack mounts. Torque all the bolts per the table in section ***BOLT TORQUE SPECIFICATIONS***.

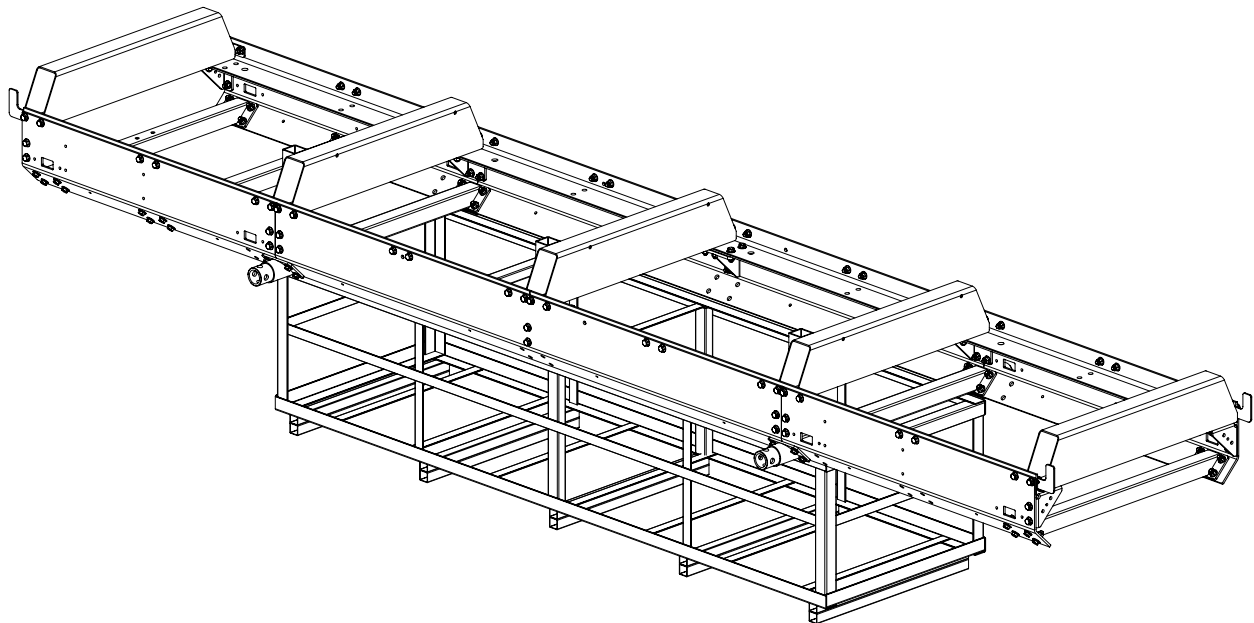
16x	M10 X 35 mm Flanged Hex Bolt		2x	Cross Beam	
16x	M10 Flanged Lock Nut		4x	Jack Mount	



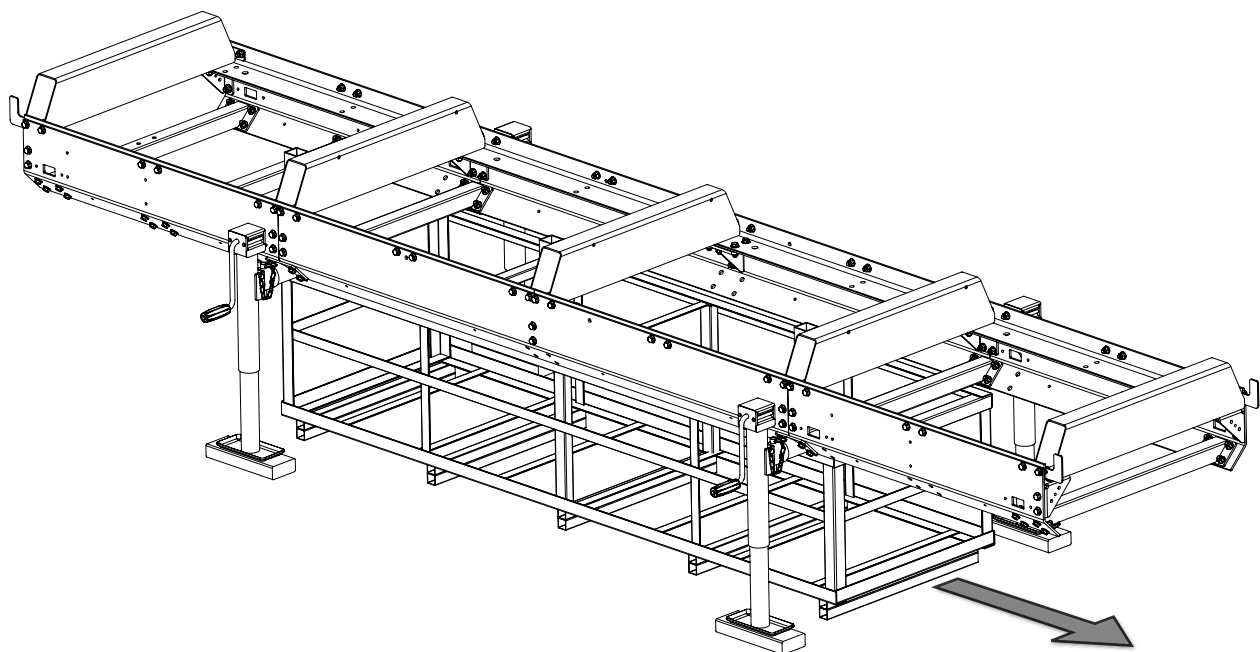




Next, lower the trailer until the cross beams are resting on the crate.



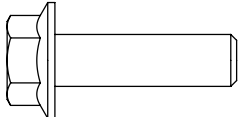
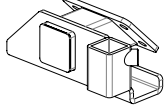
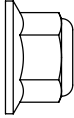
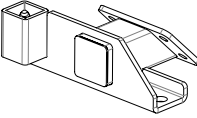
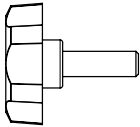
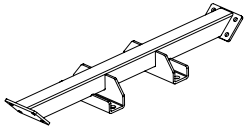
Slide the swivel jacks onto the jack mounts and secure them with the locking pins. Raise the jacks up to slide the crate out from under the trailer assembly. Place blocks of wood underneath each jack if necessary to achieve the required clearance.

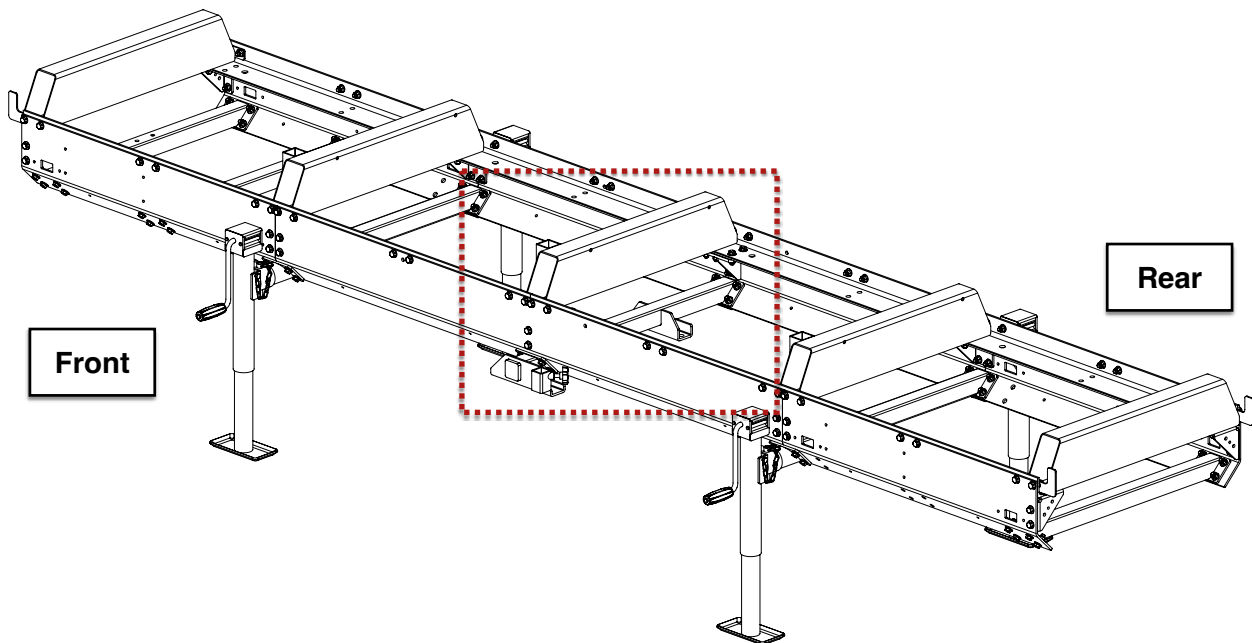


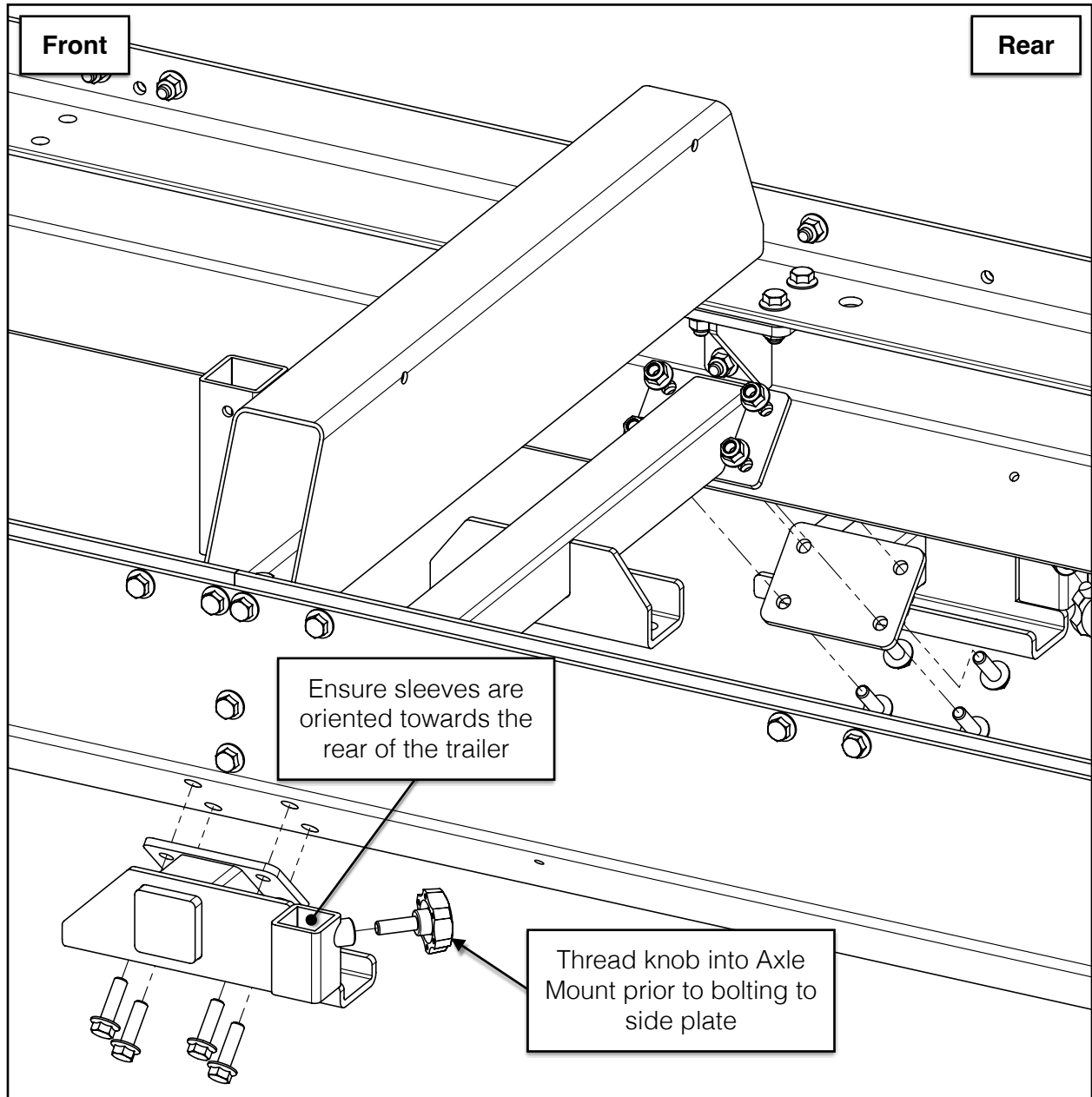


7. AXLE MOUNTS AND AXLE CROSS BEAM

Using the hardware listed below, install the axle mount cross beam and left/right axle mounts with fender adapter as shown. Tighten these bolts.

8x	M10 X 35 mm Flanged Hex Bolt		1x	Axle Mount w/ Fender Adapter [Left]	
8x	M10 Flanged Lock Nut		1x	Axle Mount w/ Fender Adapter [Right]	
2x	M10 X 30 mm Knob		1x	Axle Mount Cross Beam	

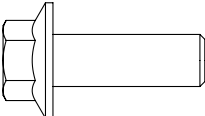
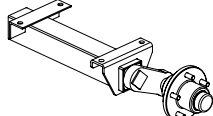
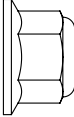
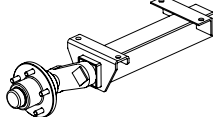
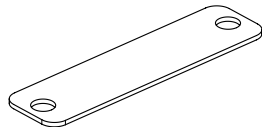




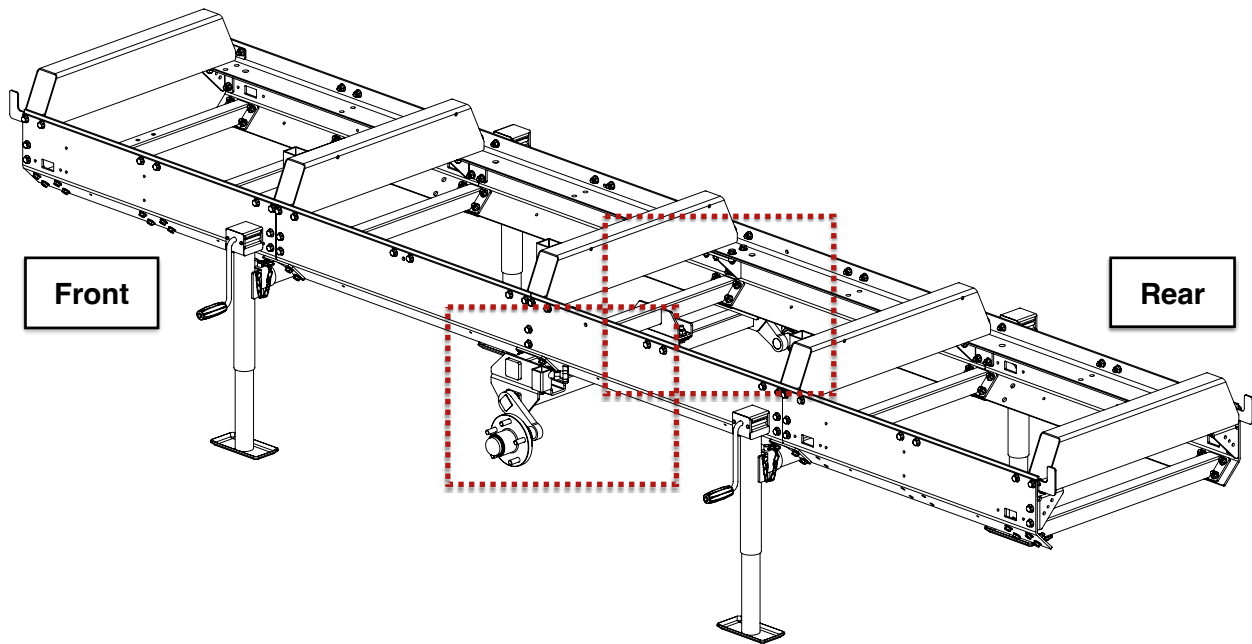


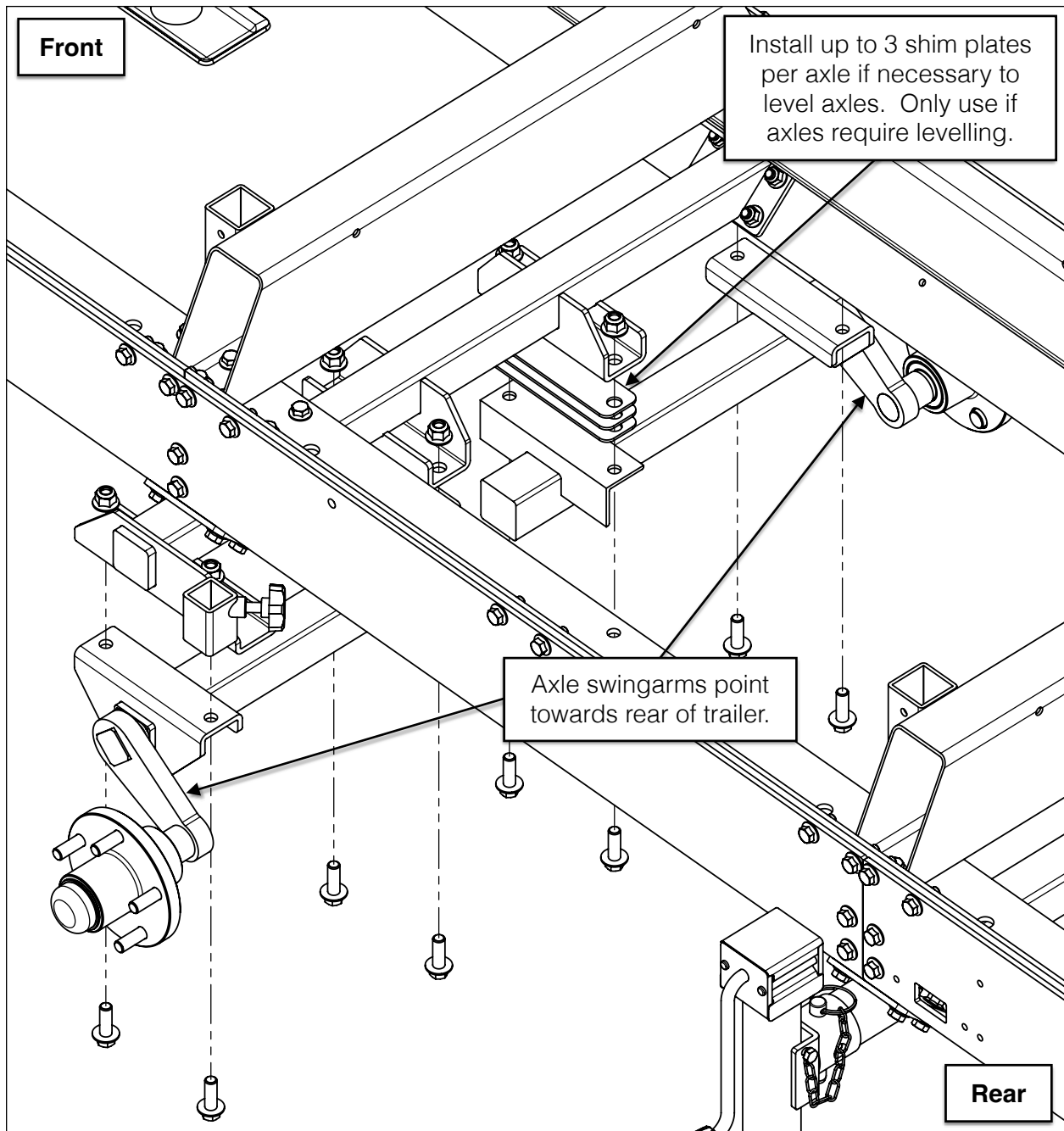
8. AXLES

Using the hardware listed below, install the axles as shown on the next page. Do not torque these bolts until instructed in step, **WHEELS**.

8x	M12 X 35 mm Flanged Hex Bolt		1x	Axle [Left]	
8x	M12 Flanged Lock Nut		1x	Axle [Right]	
			[6x]	Axle Shim Plate	

Place a bubble level across both axles and check for level. If the level is off, use axle shim plates between the inner axle mounting face and axle cross beam to ensure the axles ride level. The shims are not necessary if the axles sit level after assembly.

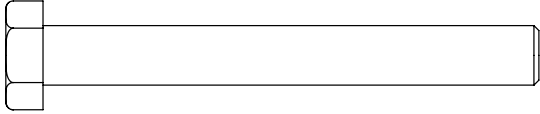
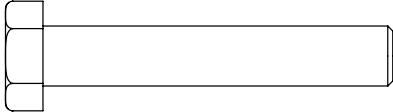
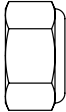
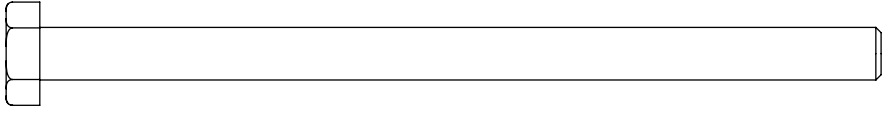
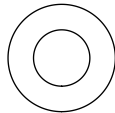
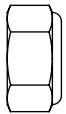
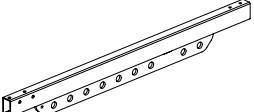
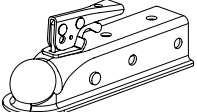
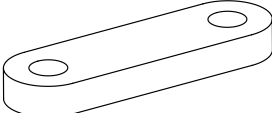
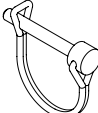


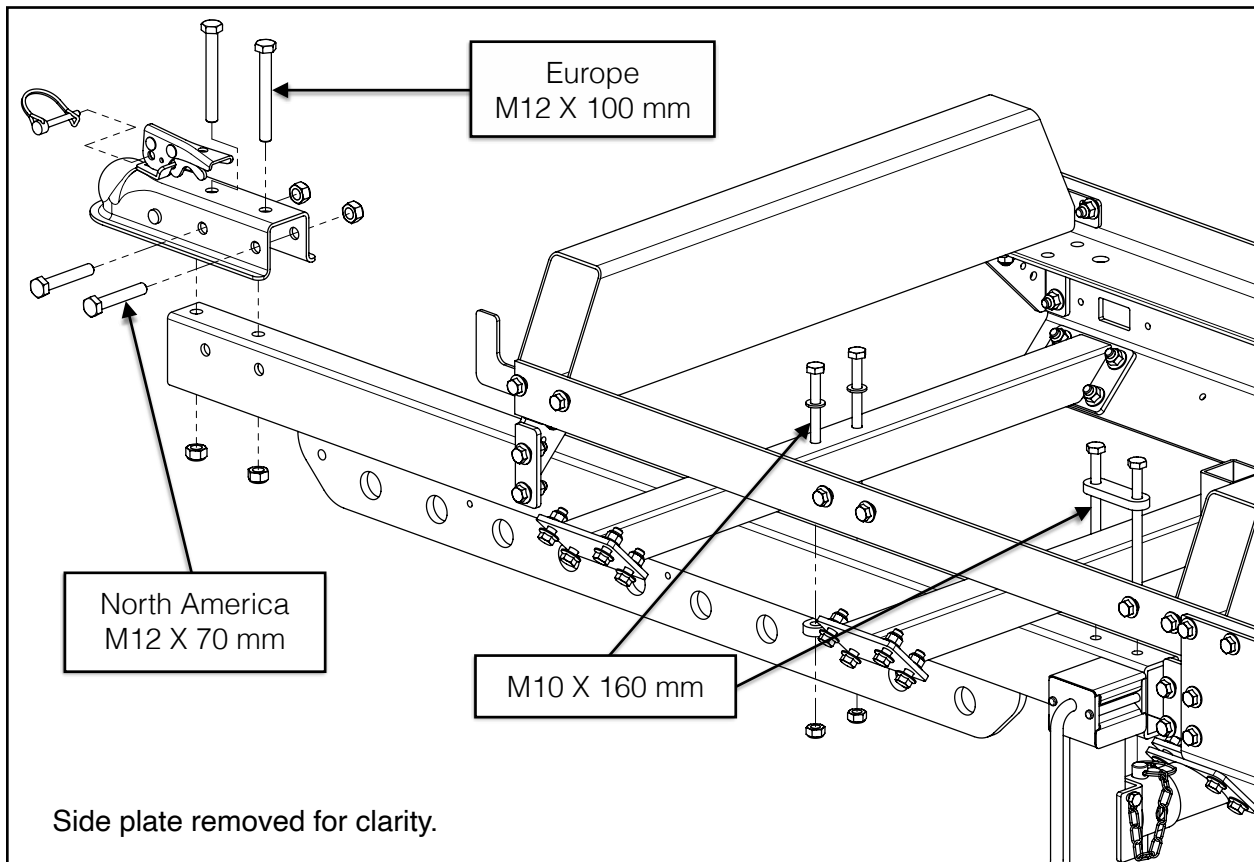
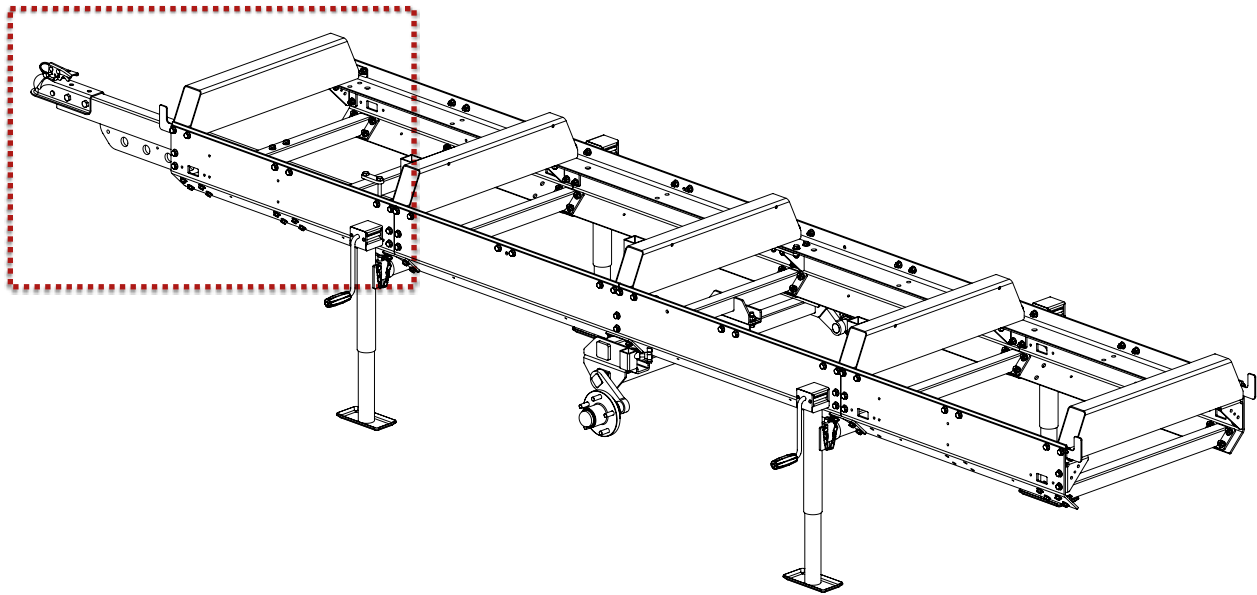




9. TONGUE AND COUPLER

Using the hardware listed below, install the trailer tongue and hitch coupler. Don't tighten the M10 X 160 mm bolts in this step since the plug for the lights will be routed through the tongue in the following step. Tighten the coupler bolts.

2x	M12 X 100 mm Hex Bolt (Europe Only)	
2x	M12 X 70 mm Hex Bolt (North America)	
2x	M12 Lock Nut	
4x	M10 X 160 mm Hex Bolt	
4x	M10 Flat Washer	
4x	M10 Lock Nut	
1x	Tongue	
1x	Hitch Coupler	
2x	Tongue Bracket	
1x	Locking Pin	

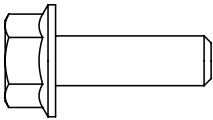
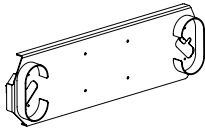
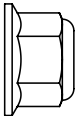
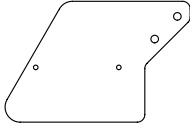
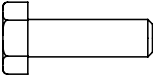
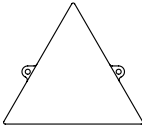
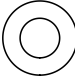

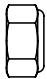

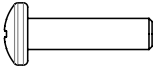


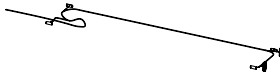
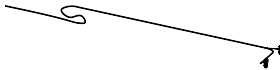


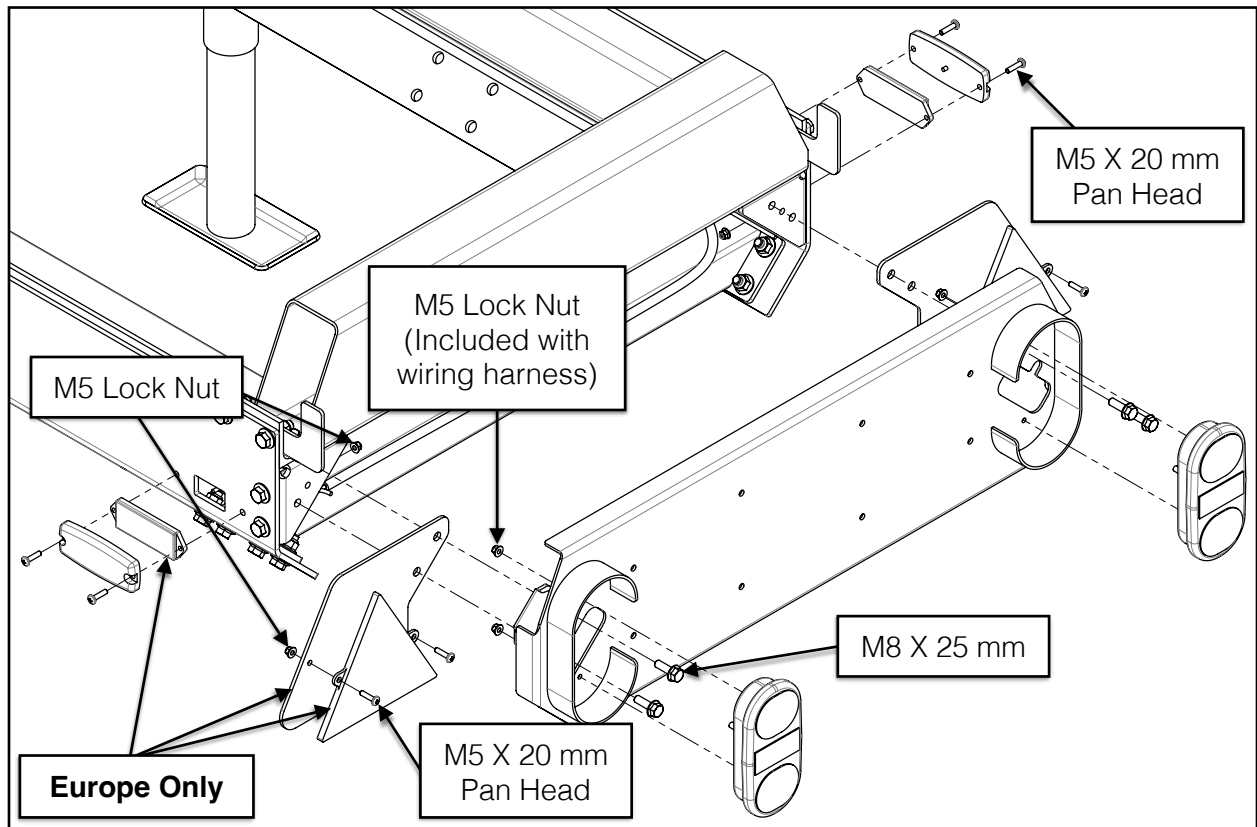
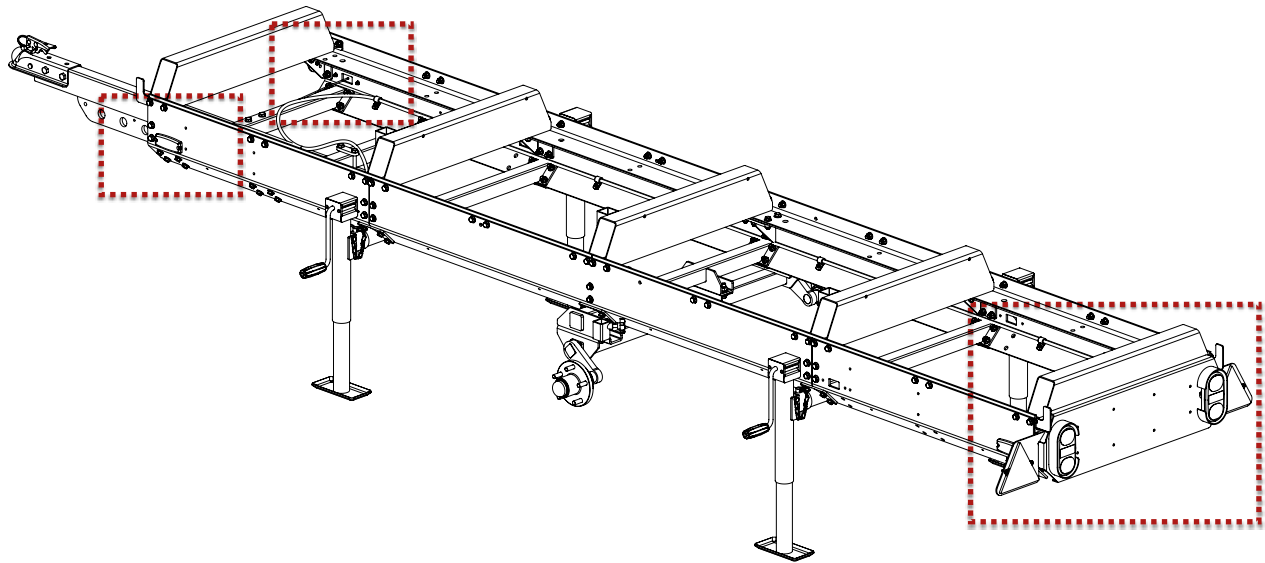


10. LIGHTING

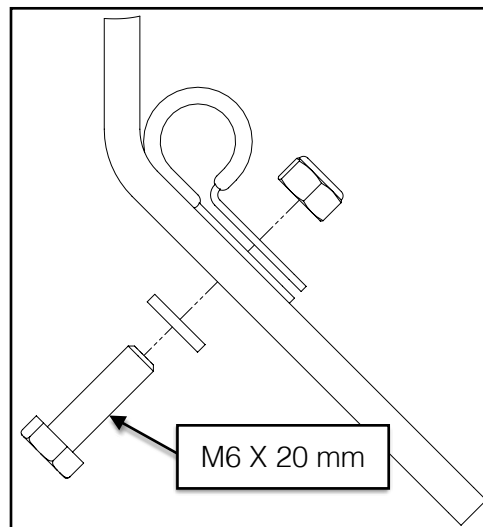
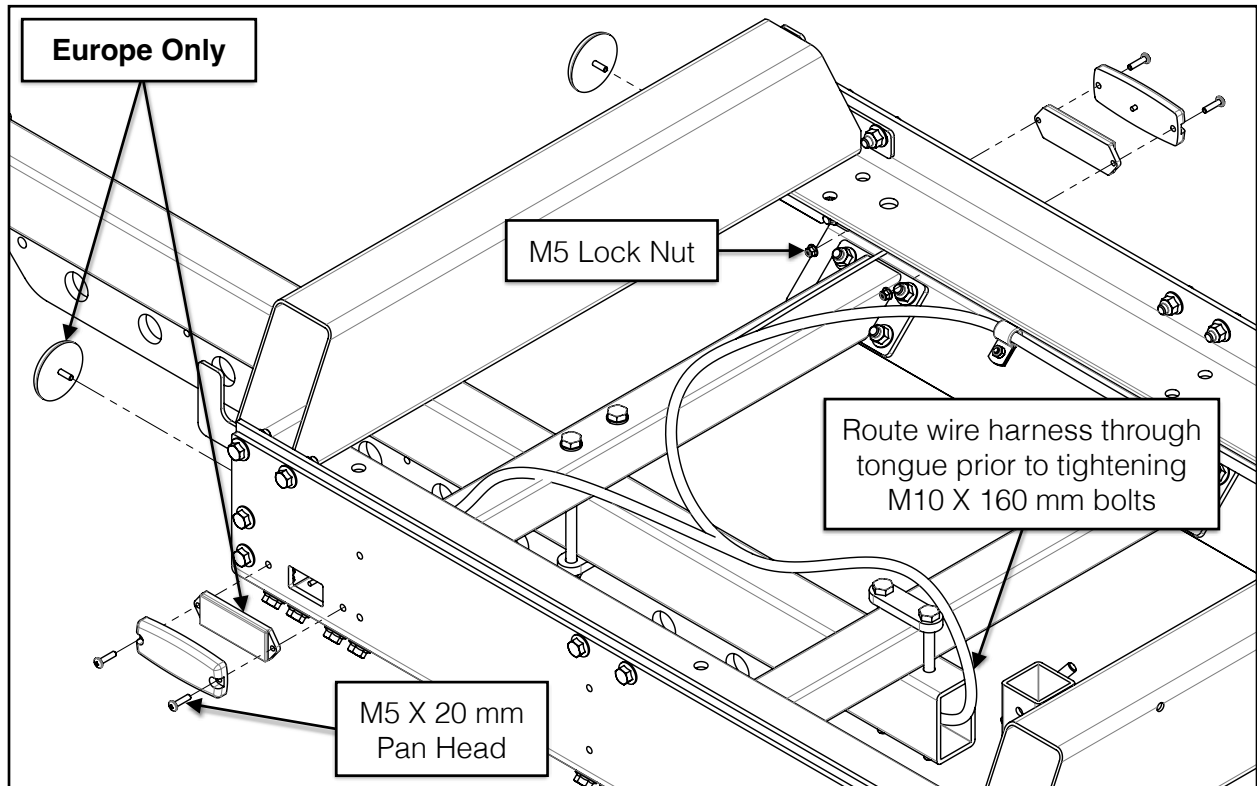
Using the hardware listed below, install the taillight bracket and country appropriate wire harness. Secure tail lights to the taillight bracket using M5 flanged lock nuts before mounting taillight bracket to trailer. Use cable clamps to secure wire harness to side plates down right-side of trailer. Tighten all bolts. The M10 X 160 mm tongue bolts from the previous step can now be tightened after wiring has been routed through the tongue.

On the European (**EU**) version, install the 4 side reflectors, 2 front reflectors, and 2 rear reflector brackets and reflectors as shown on the following pages. There are no red/amber side lights on the European wire harness like the ones included with the North American (**NA**) version.

4x	M8 X 25 mm Flanged Hex Bolt		1x	Taillight Bracket	
4x	M8 Flanged Lock Nut		2x	Rear Reflector Bracket (EU Only)	
8x	M6 X 20 mm Hex Bolt		2x	Rear Reflector (EU Only)	
8x	M6 Flat Washer		4x	Side Reflector (EU Only)	
8x	M6 Lock Nut		2x	Front Reflector (EU Only)	
12x	M5 X 20 mm Pan Head Screw (8x NA Only)		8x	Cable Clamp	
14x	M5 Flanged Lock Nut (8x NA Only)		1x	Wire Harness (NA Only)	
			1x	Wire Harness (EU Only)	



****Note: Tail lights (North America and Europe) and side lights (North America only) are integral to the wire harness. They are shown exploded for assembly clarity.****

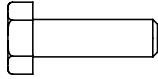

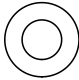
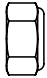


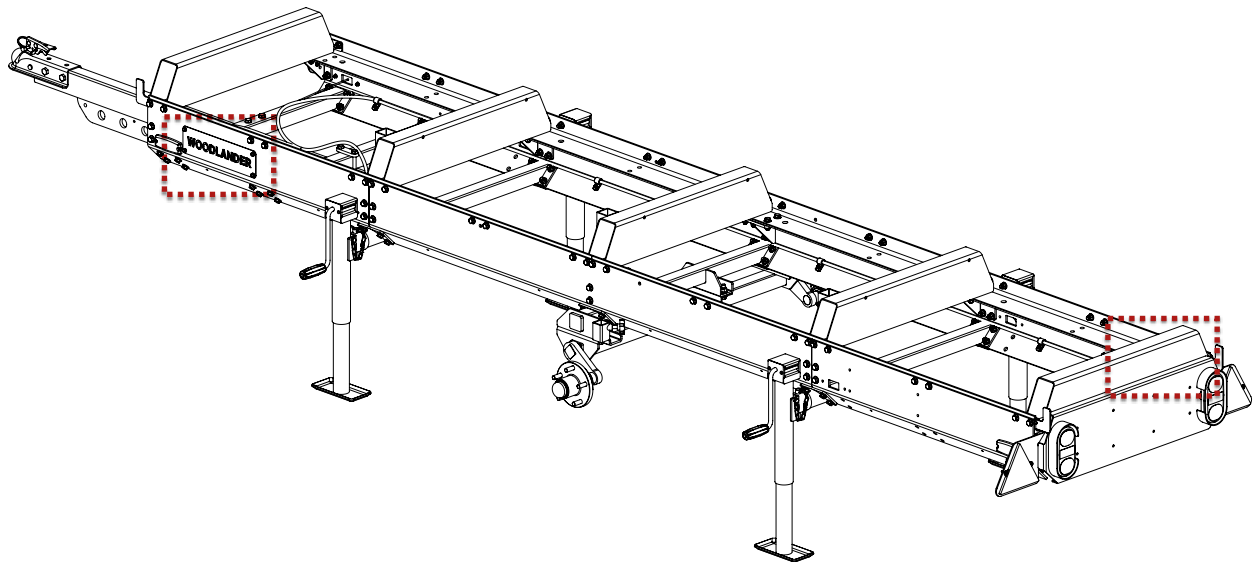
There are 2 cable clamps per short side plate (2) and 4 per long side plate (1) for a total of 8. Cable clamps are installed down the right-hand side of the trailer only. Use the M6 X 20 mm hex bolts, M6 washers, and M6 lock nuts as shown. This applies to both North American and European models.

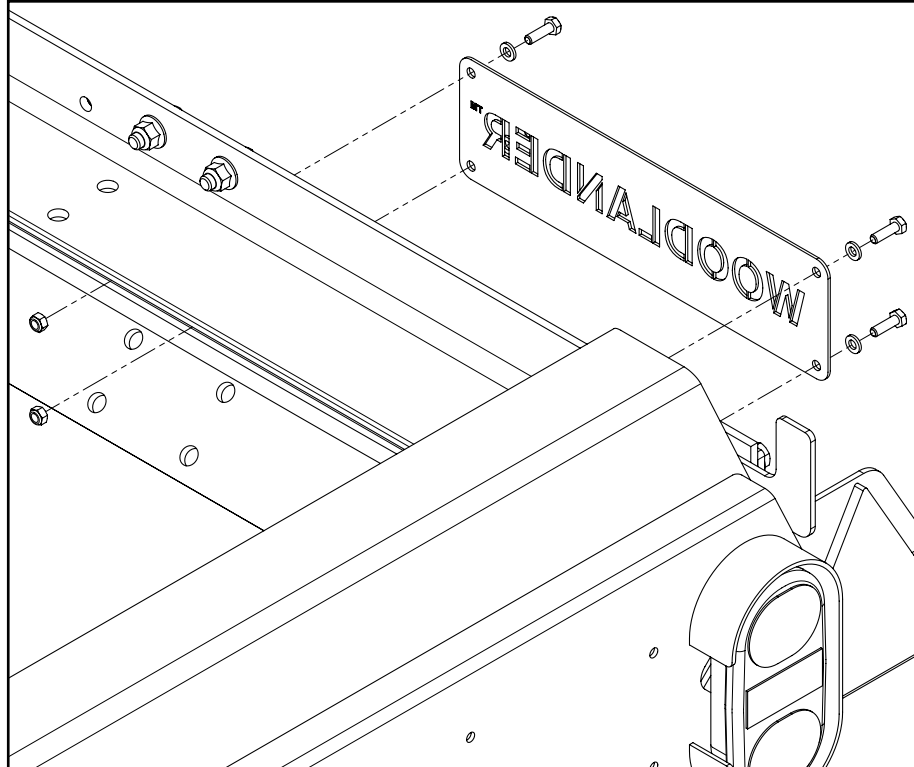
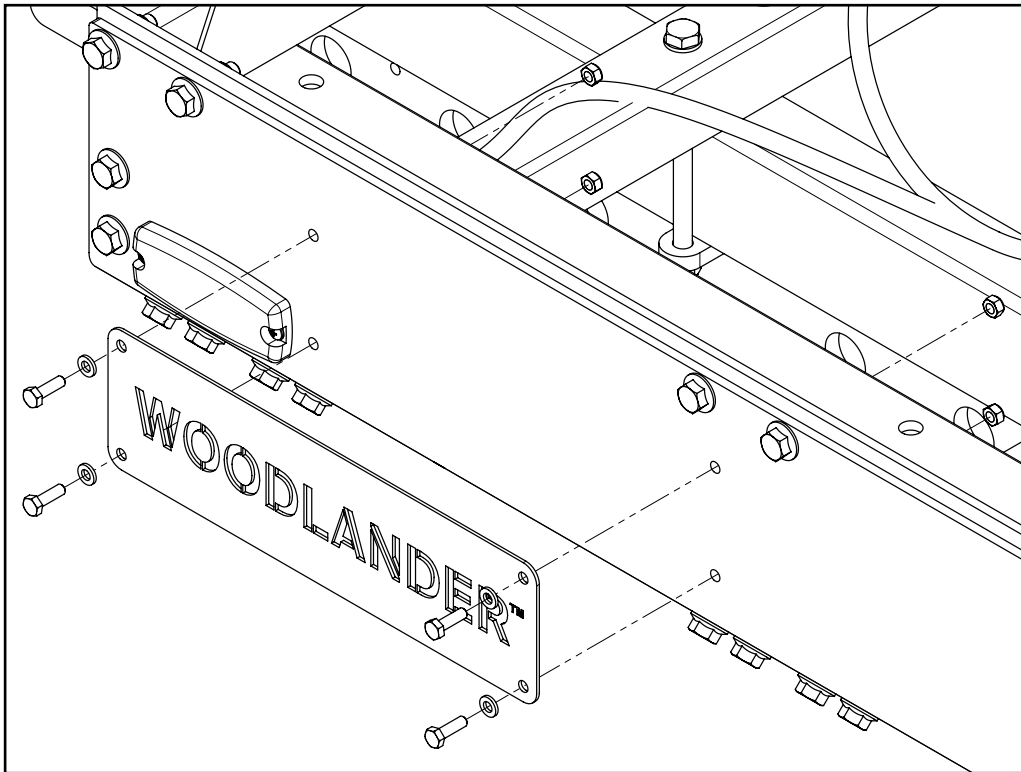


11. NAMEPLATES

Using the hardware listed below, install the two (2) *Woodlander* nameplates as shown.

8x	M6 X 20 mm Hex Bolt		2x	Woodlander Nameplate	
8x	M6 Flat Washer				
8x	M6 Lock Nut				

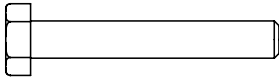
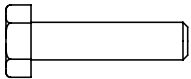
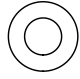
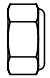
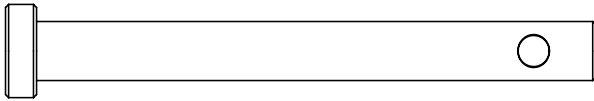
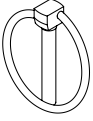
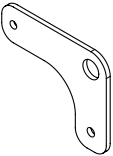







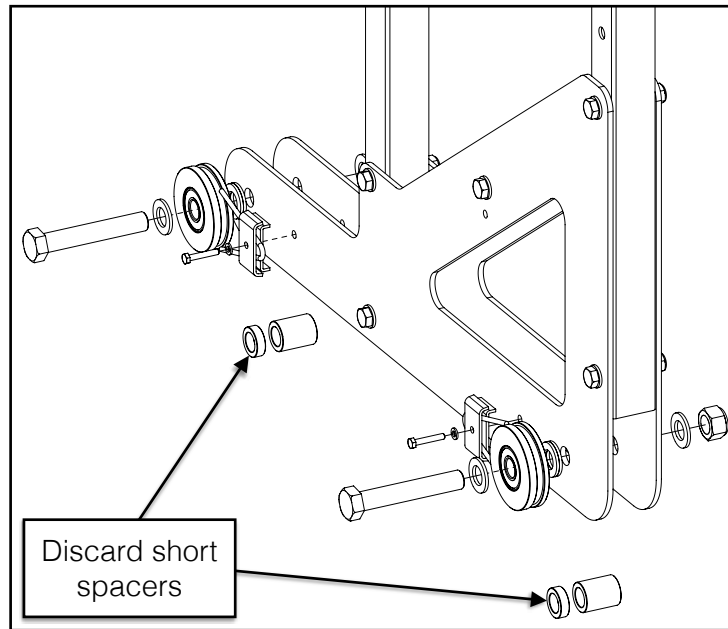
12. HEAD LOCK-DOWN PLATES

Place the assembled sawhead on the trailer. Using the hardware listed below, install the head lock down plates as shown on the next page.

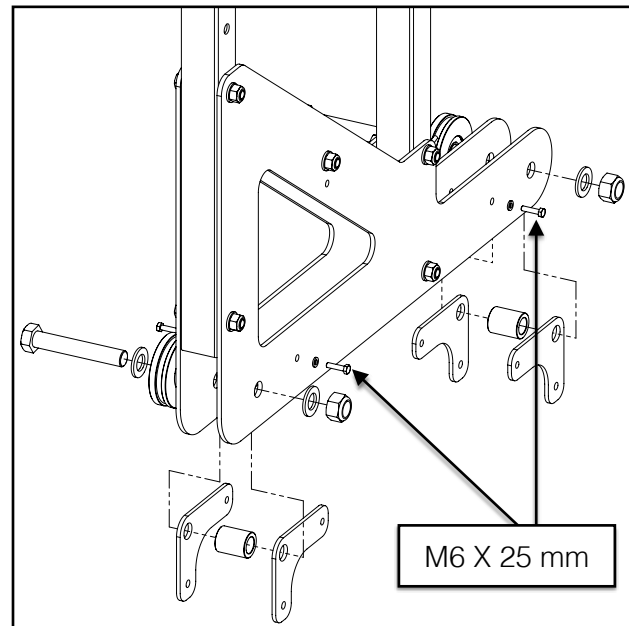
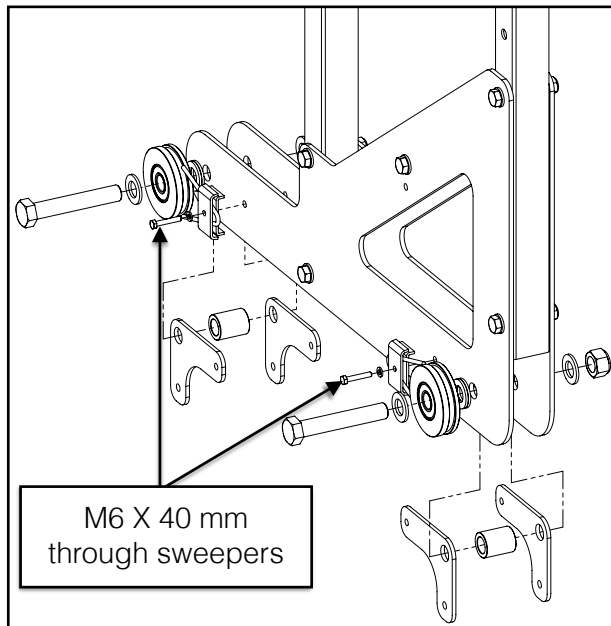
4x	M6 X 40 mm Hex Bolt	
4x	M6 X 25 mm Hex Bolt	
16x	M6 Flat Washer	
8x	M6 Lock Nut	
4x	Lock-Down Pin	
4x	Linch Pin	
8x	Head Lock- Down Plate	
1x	10 mm Drill Bit	



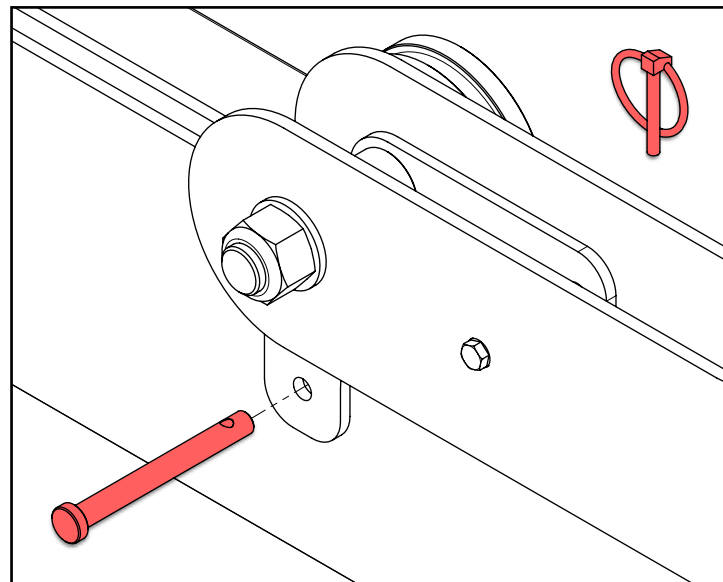
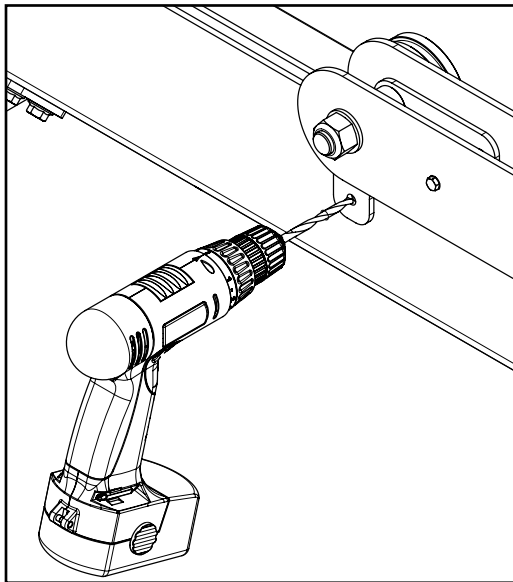
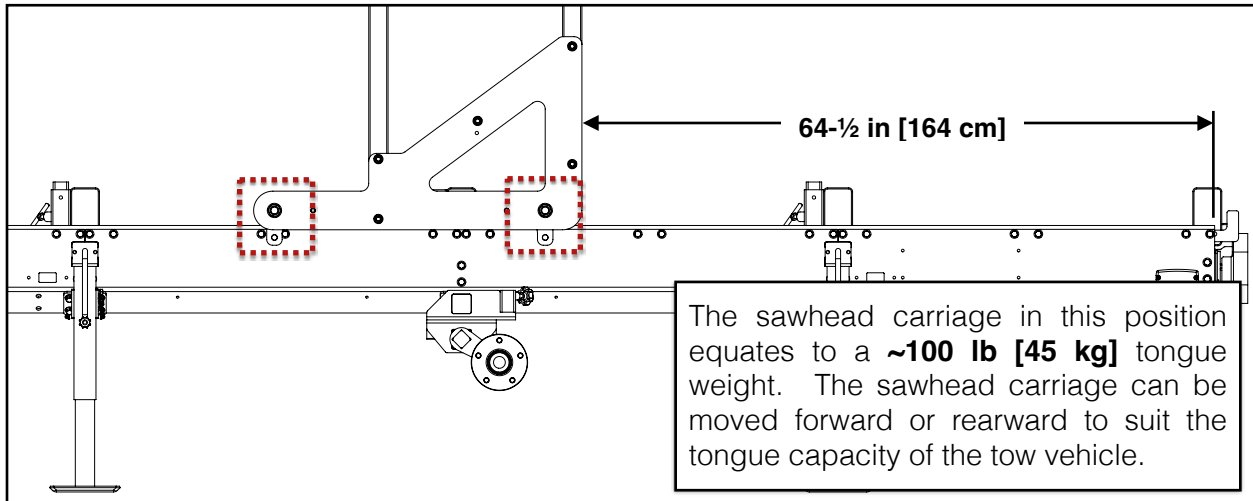
Remove the eight (8) spacers from the carriage wheel axles and discard the four (4) short spacers. Only the four (4) tall spacers will be reused in the next steps.



Using the provided M6 X 40 mm and M6 X 25 mm bolts, install the lock-down plates in place of the short spacers with the taller spacer sandwiched between. Reuse the four (4) M6 flat washers from the wheel sweepers on the sawmill when replacing the bolts.



Drill four (4) holes for the lock-down plates using the provided 10 mm [$\frac{3}{8}$ in] drill bit. Measure 64- $\frac{1}{2}$ in [164 cm] from the rear edge of the track rail (*not* the carriage stop) to the rear post of the sawhead. Insert a locking pin into each hole as they are drilled. Secure each locking pin with a linch pin.



WARNING!

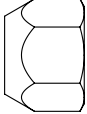
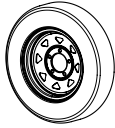
Use cutting oil when drilling holes for lock-down brackets or else the heat generated could ruin the drill bit and produce a rough surface finish.

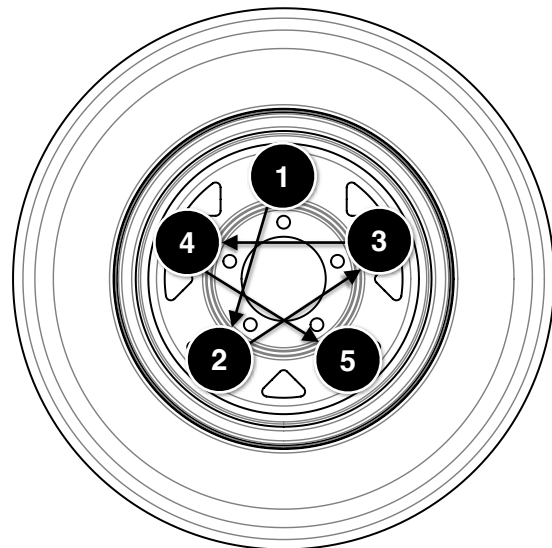
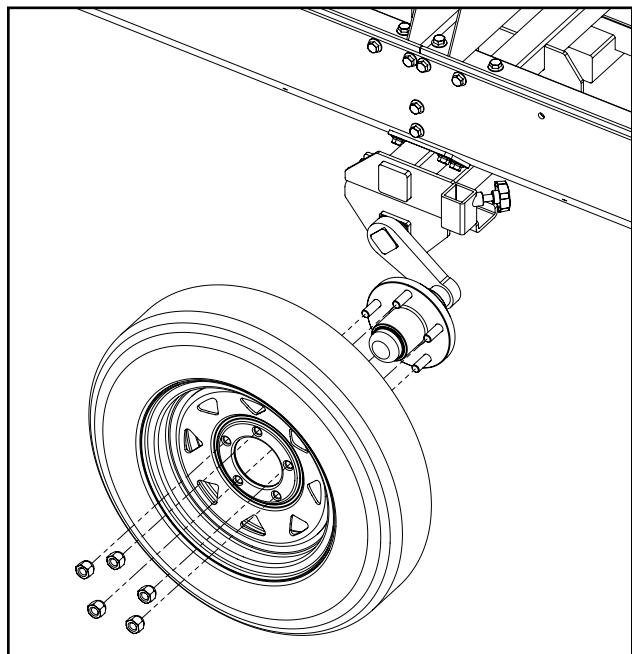
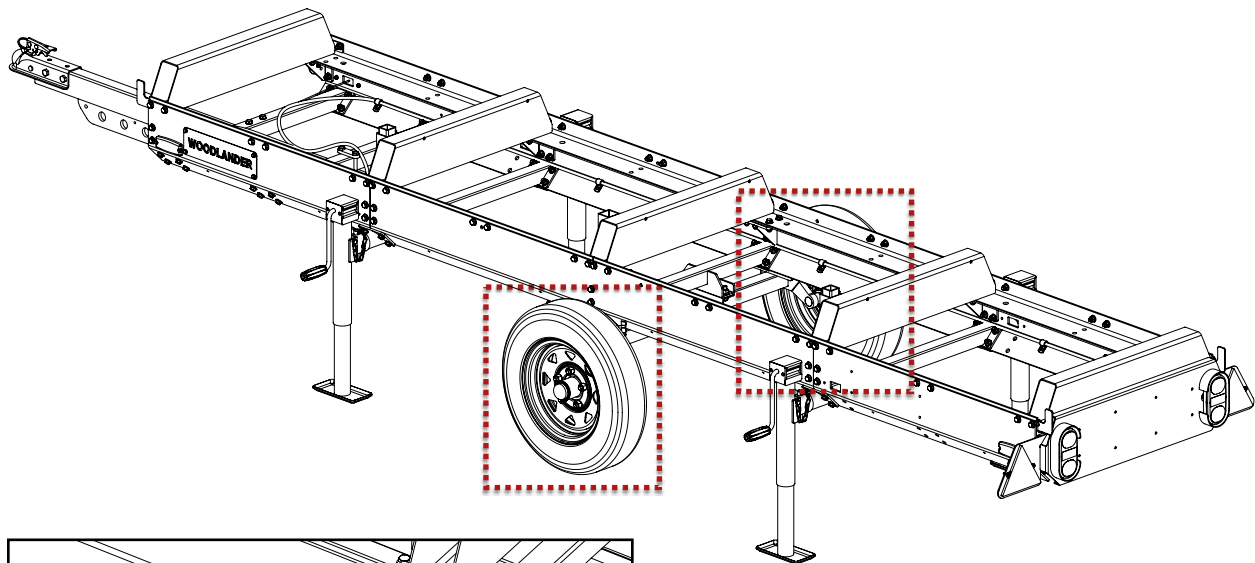




13. WHEELS

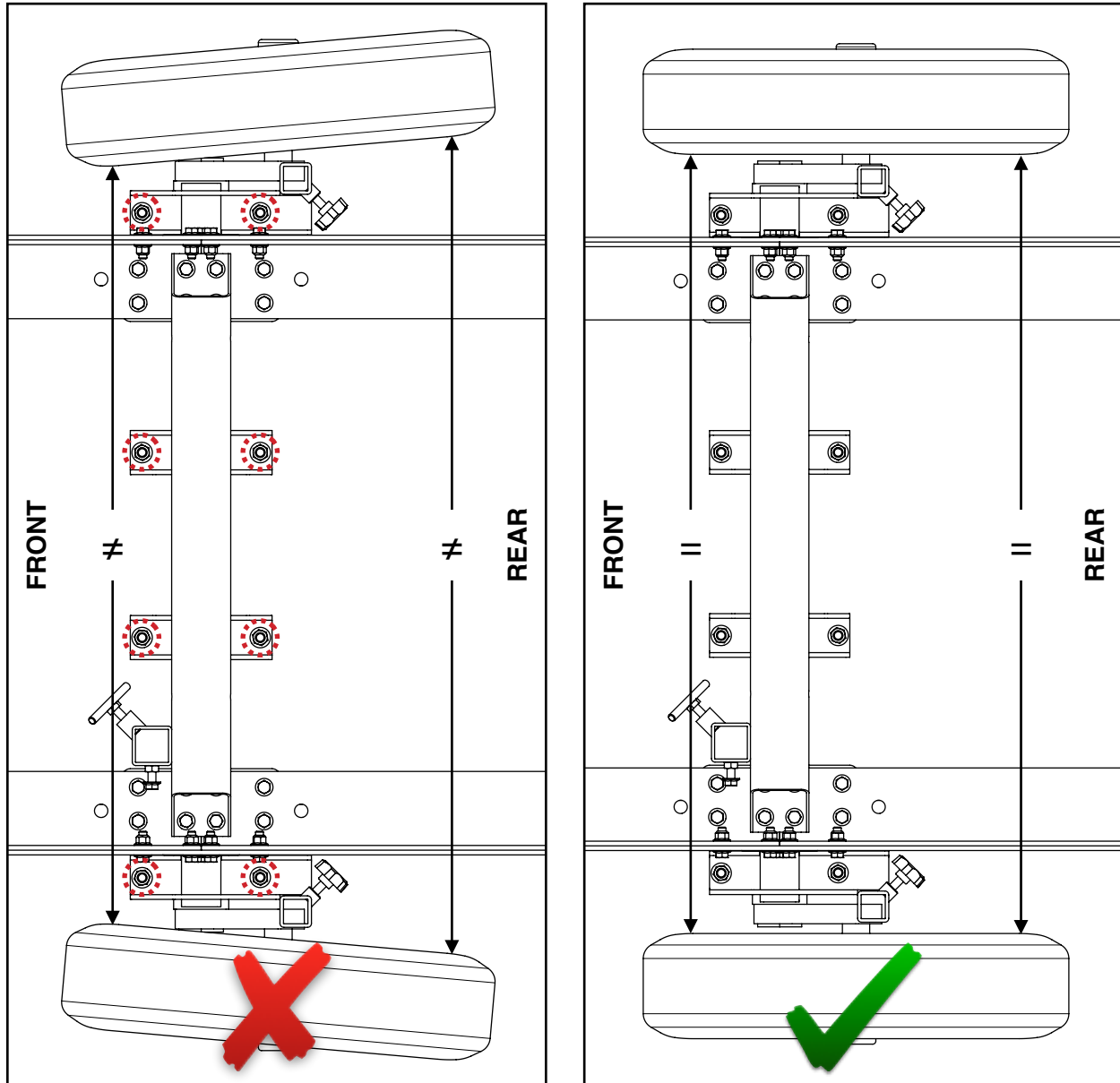
Using the hardware listed below, install the tires on the axles. Using a torque wrench, torque the lug nuts to 80 ft•lb / 110 N•m following the pattern shown below.

10x	1/2-20 Lug Nut		2x	5.30-12 Wheel	
-----	----------------	---	----	---------------	---



WHEEL ALIGNMENT ADJUSTMENT

With the wheels installed, observe their alignment to each other. If the wheels point inward (pigeon-toed) or outward (duck-footed), the axle position needs to be adjusted before the trailer can be towed behind a vehicle. One or both wheels may be affected.



MISALIGNMENT

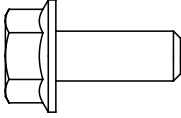
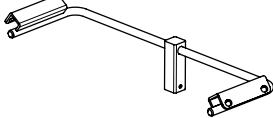


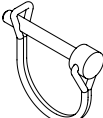
ALIGNED

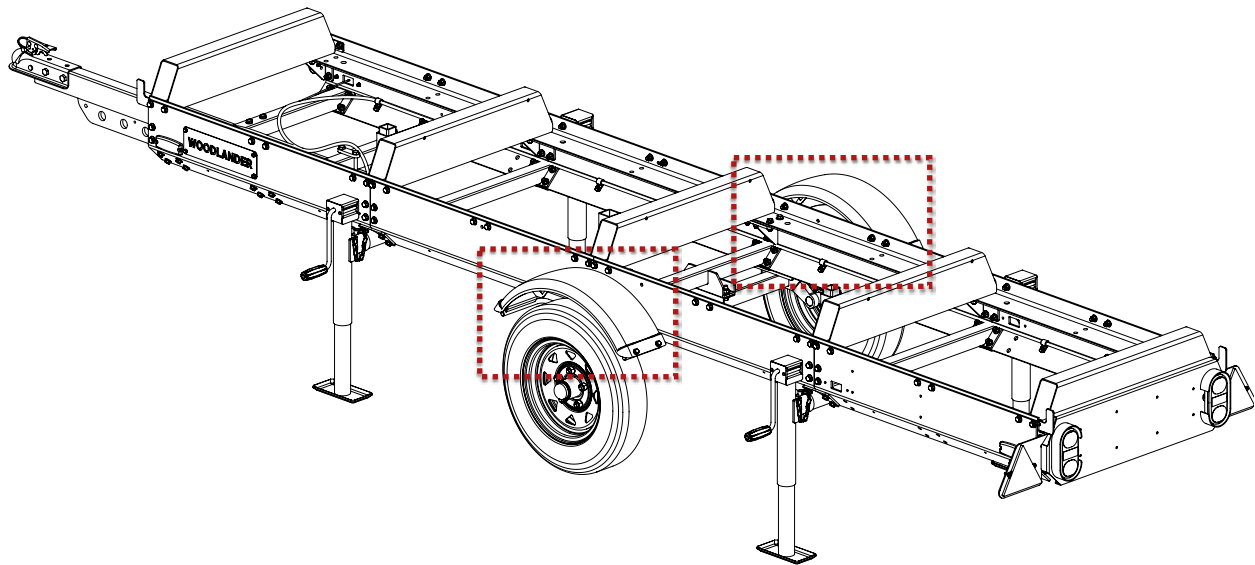
If the wheels are parallel, tighten the axle bolts to the ***specified torque*** and proceed to the next section. However, if the wheels are *not* parallel, loosen the four (4) M12 bolts on the affected axle(s). Rotate the axle assembly and wheel until the wheels are parallel. Then tighten the axle bolts to the ***specified torque***.



14. FENDERS

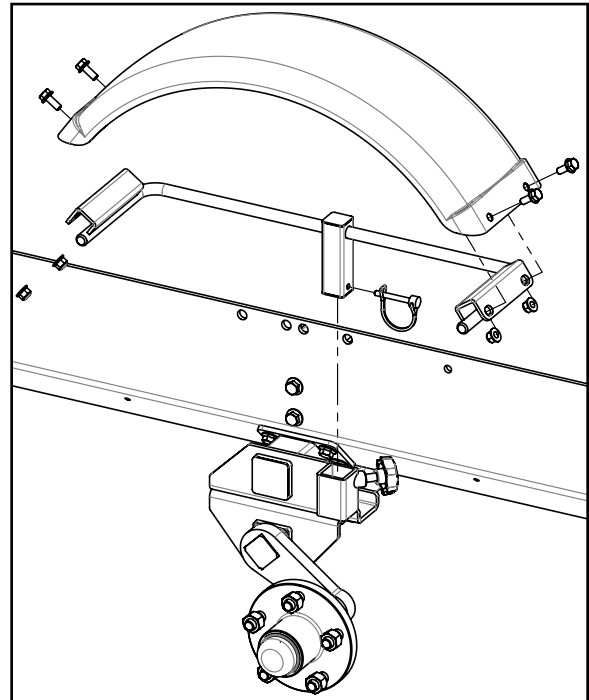
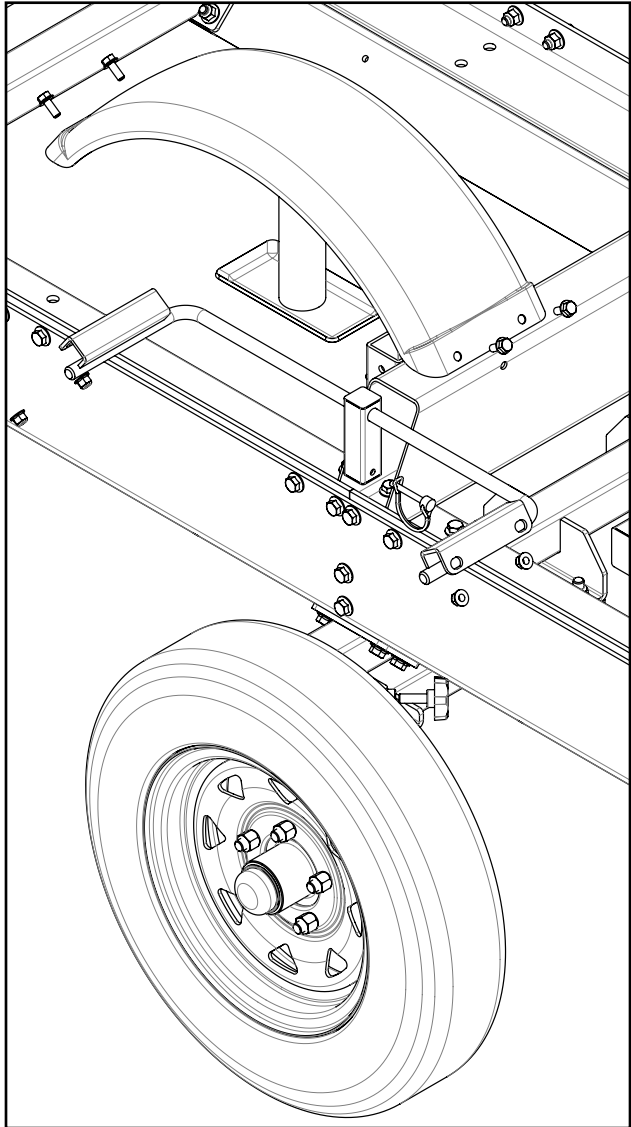
Using the hardware listed below, assemble the fenders to the fender brackets.

8x	M8 X 20 mm Flanged Hex Bolt		2x	Fender Bracket	
8x	M8 Flanged Lock Nut		2x	Fender	
			2x	Locking Pin	





Fasten a metal fender to each fender bracket using four (4) M8 X 20 mm bolts and four (4) M8 flanged lock nuts. Fully tighten these bolts.



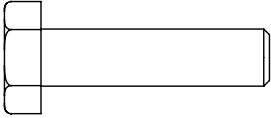
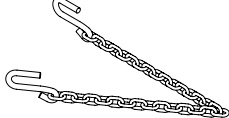
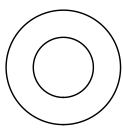
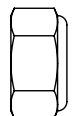
Some components removed for clarity

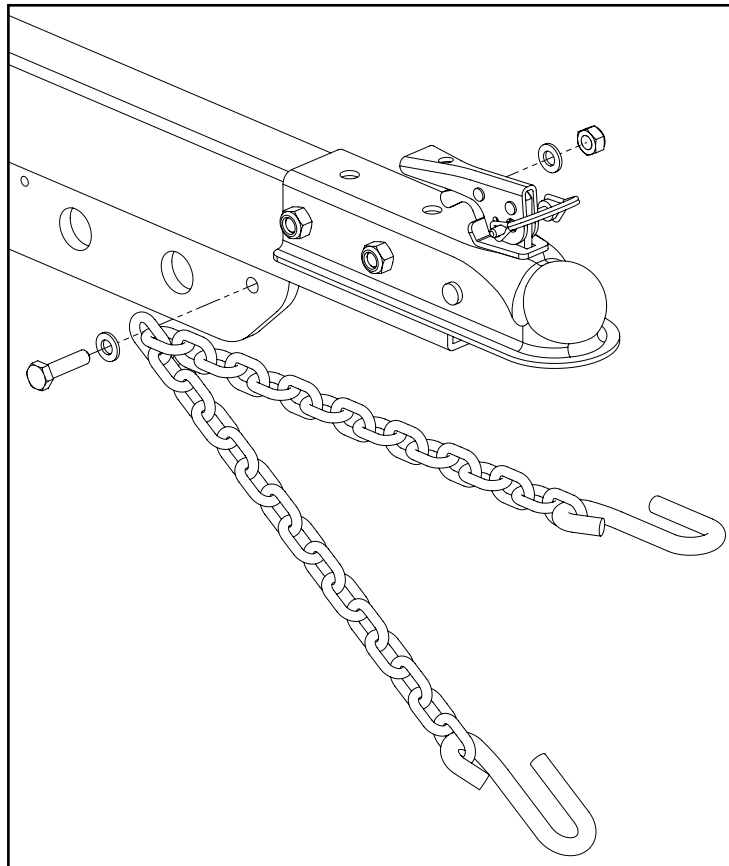
Slide the post on the fender bracket into the sleeve on the axle mount and insert the locking pin through the hole located at the bottom of the fender bracket post. Secure the fender/fender bracket sub-assembly using the M10 X 30 mm knob by threading it into the axle mount until tight.



15. SAFETY CHAIN

Using the hardware below, install the safety chain on the trailer tongue.

1x	M10 X 40 mm Hex Bolt		1x	Safety Chain	
2x	M10 Flat Washer				
1x	M10 Lock Nut				

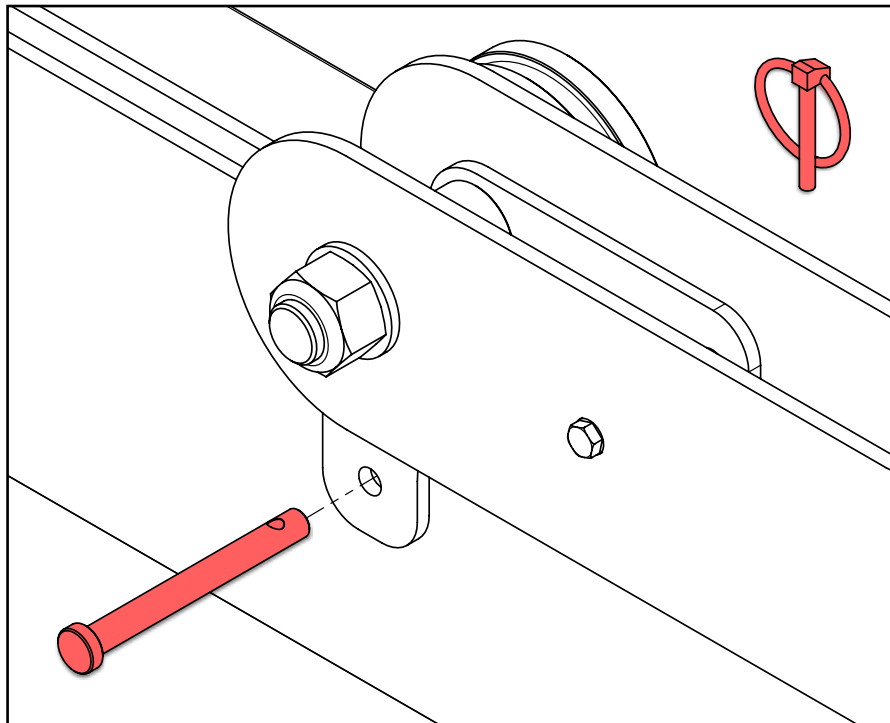




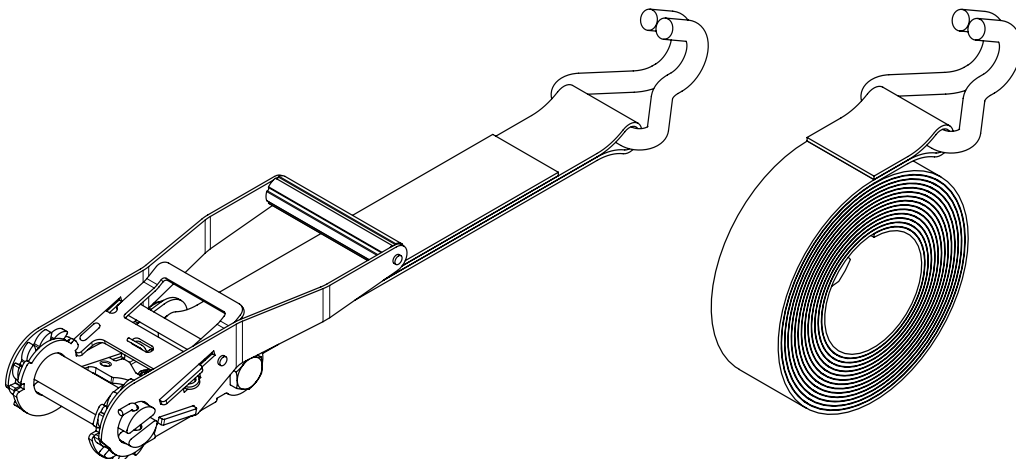
OPERATION

LOCKING-DOWN THE SAWMILL HEAD

When transporting the trailer, it is imperative that the sawmill head is locked-down securely to the trailer. Start by inserting the four (4) locking pins through the lock-down brackets and secure them with linch pins.

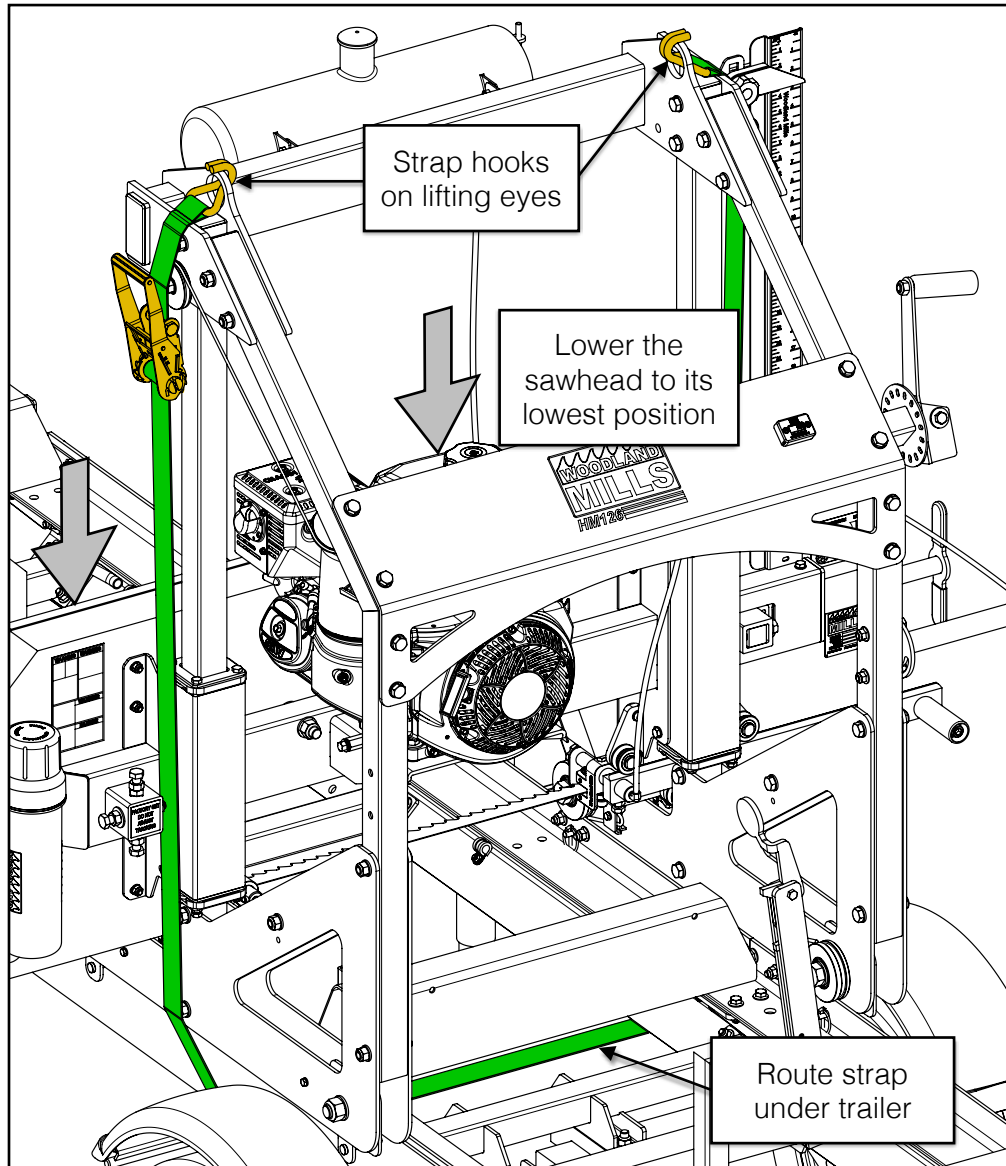


Next, route the included ratchet strap (shown below) around the sawmill and trailer to fully lock-down the sawmill head as shown on the next page.





Lower the sawhead to its lowest position. Then insert the short strap hook into the cross beam lifting eye on one side of the sawmill, route the long strap down and under the bottom of the trailer, then up to the opposite lifting eye. Ratchet the strap tight until there is no slack.



**SPEED
LIMIT
20**
mph

WARNING!

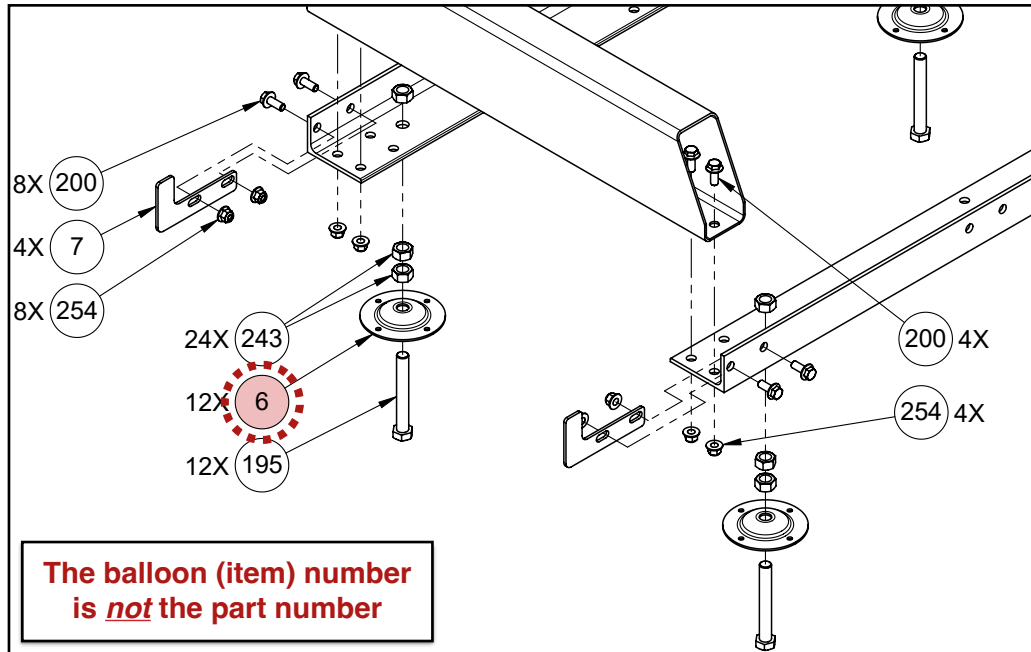
The Woodlander™ and Woodlander™ MAX lock-down pins and ratchet strap system has only been tested for light off-road use to a maximum speed of **20 mph [30 km/h]**. Towing at speeds above this will require additional tie-downs on the sawhead carriage.

**MAXIMUM
30**
km/h



REPLACEMENT PARTS ORDERING

When ordering replacement parts, first locate the balloon number(s) from the appropriate ***exploded assembly view*** as shown in the example below:



Next, turn to the ***Parts Lists*** section and locate the balloon number in the “**Item**” column:

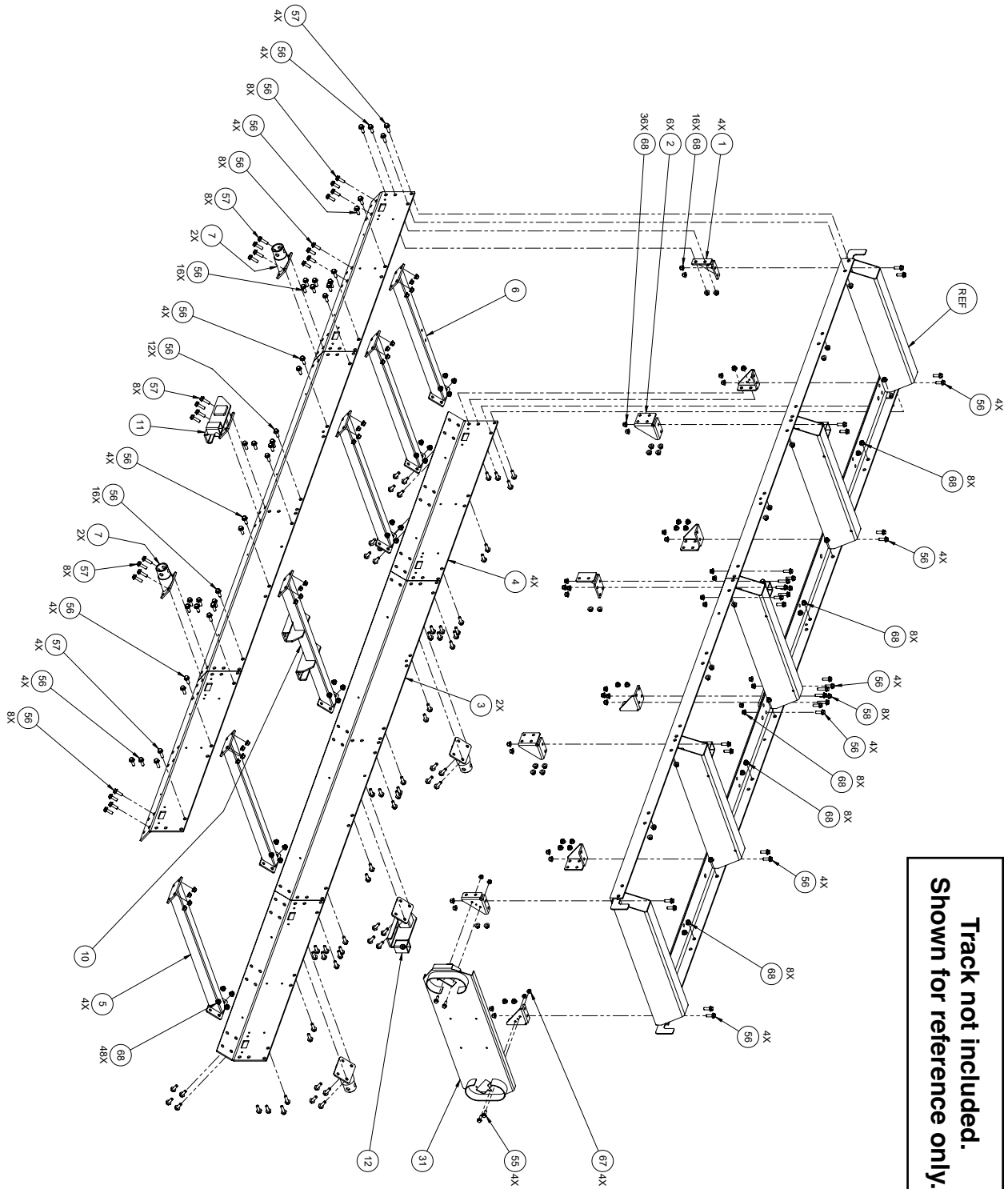
PARTS LIST				
Item	Quantity		Part No.	Description
	14 hp	9.5 hp		
1	4	4	0001073	TRACK RAIL, 58.5 mm TALL
2	2	2	0001075	LOG BUNK, END
3	2	2	0001080	LOG BUNK, MID
4	1	1	0001084	LOG BUNK, CENTER
5	2	2	0001072	REINFORCEMENT PLATE, 90 X 200 mm
6	12	12	0001071	LEVELLING FOOT BASE
7	4	4	0001055	CARRIAGE STOP
8	1	1	0001062	LOG CLAMP SHAFT AND BRACKET WELDMENT

Record the part number (e.g. *0001071, HHB-MBM080FCJ, etc.*) in the “**Part No.**” column.

Contact Woodland Mills through the website or via phone/email. If possible, include the invoice or sales number from the purchased product so an associated account can be located. If the account has multiple addresses on file, please indicate to which address the replacement part(s) will be shipped.



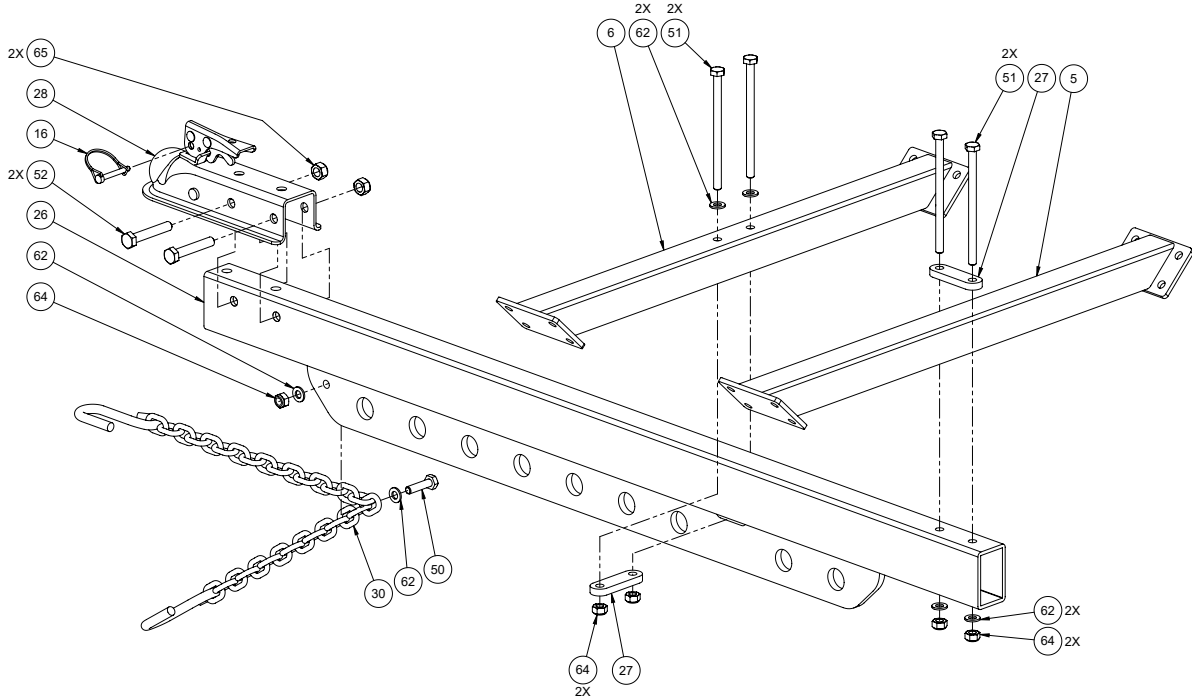
EXPLODED ASSEMBLY VIEWS CHASSIS AND TRACK



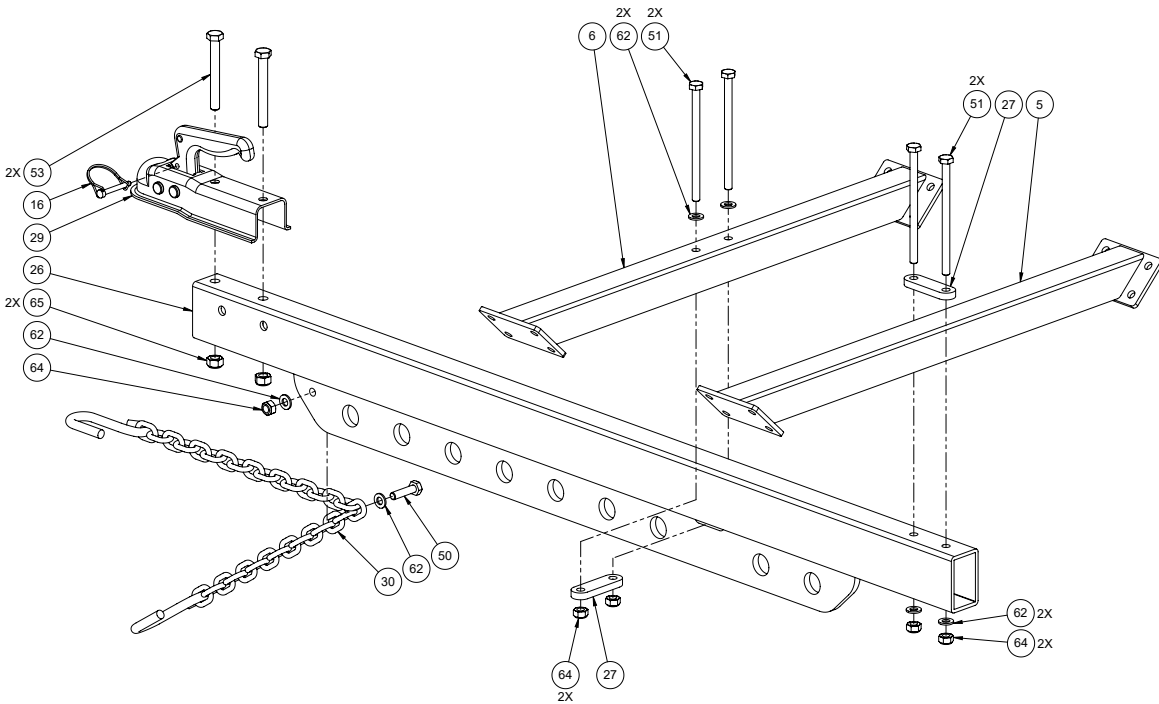


TONGUE

NORTH AMERICA

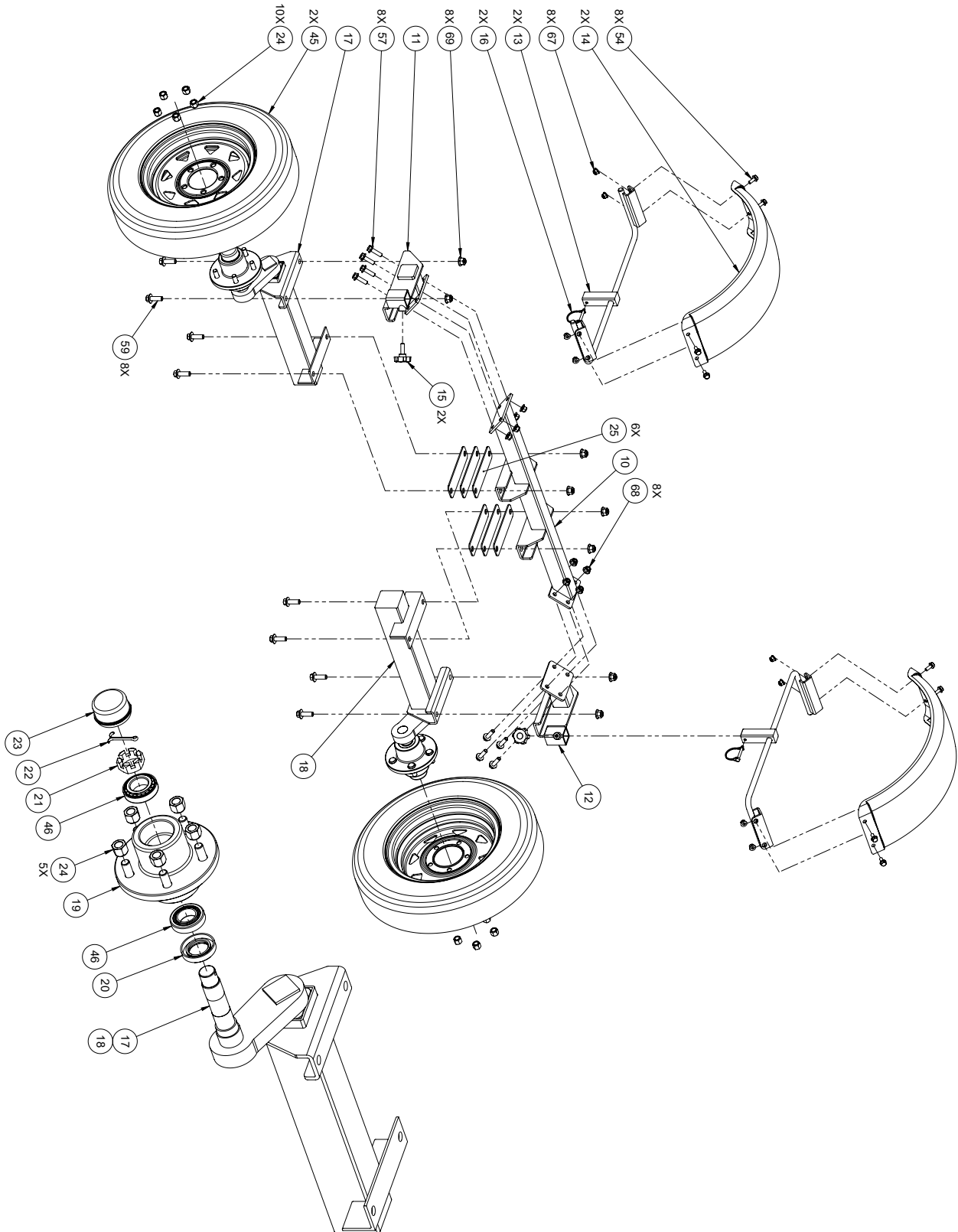


EUROPE





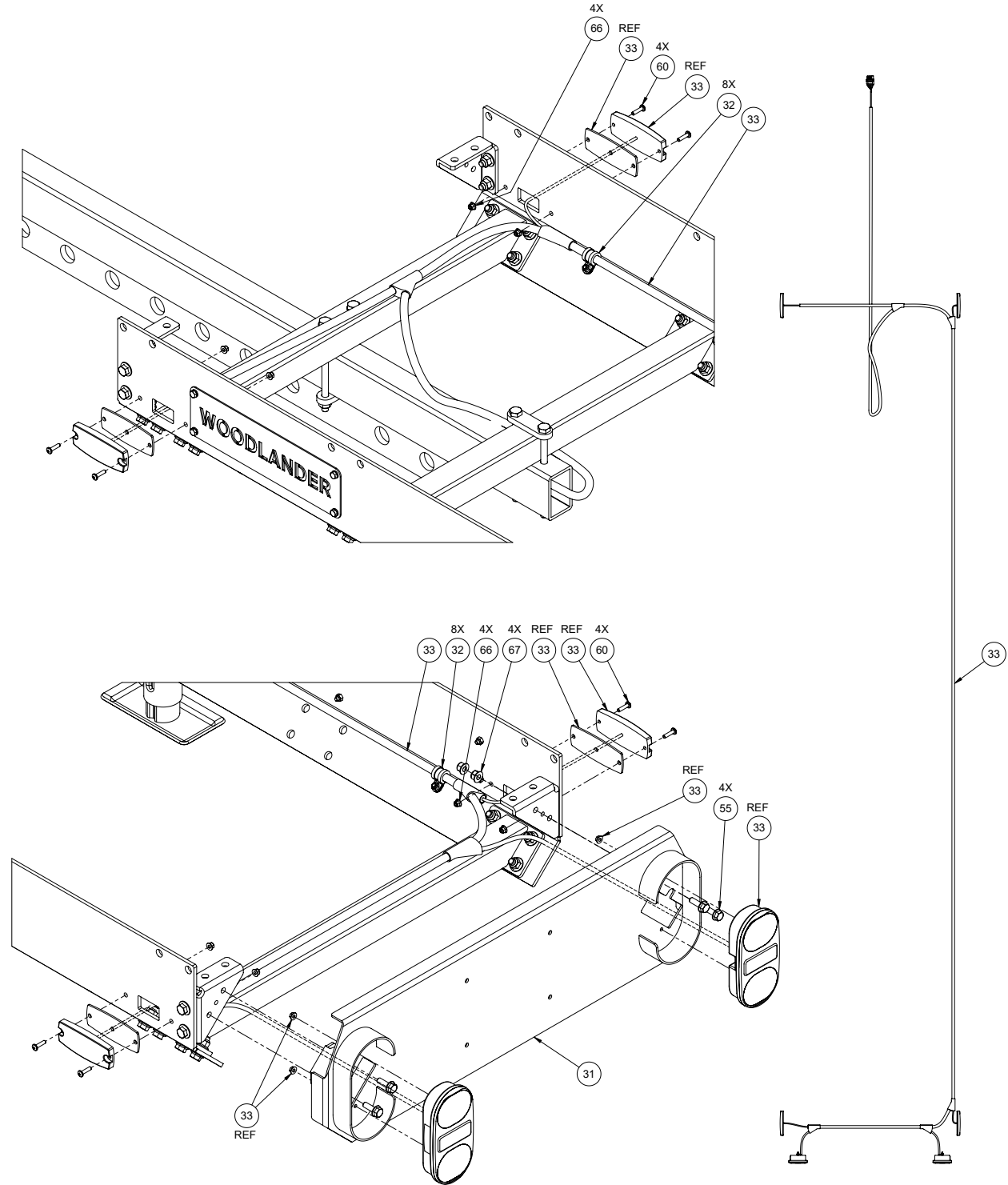
AXLES, WHEELS, AND FENDERS





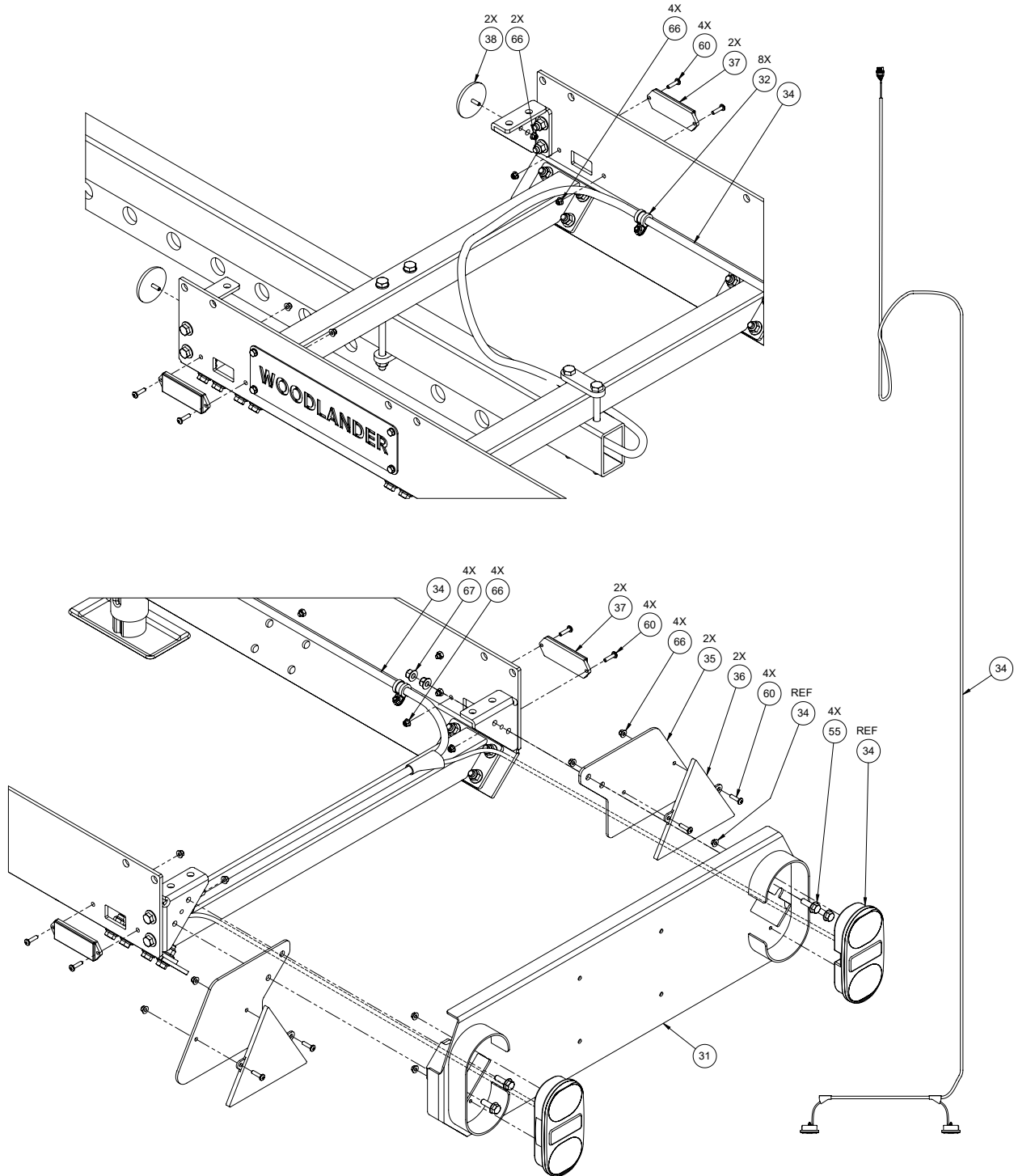
LIGHTING

NORTH AMERICA



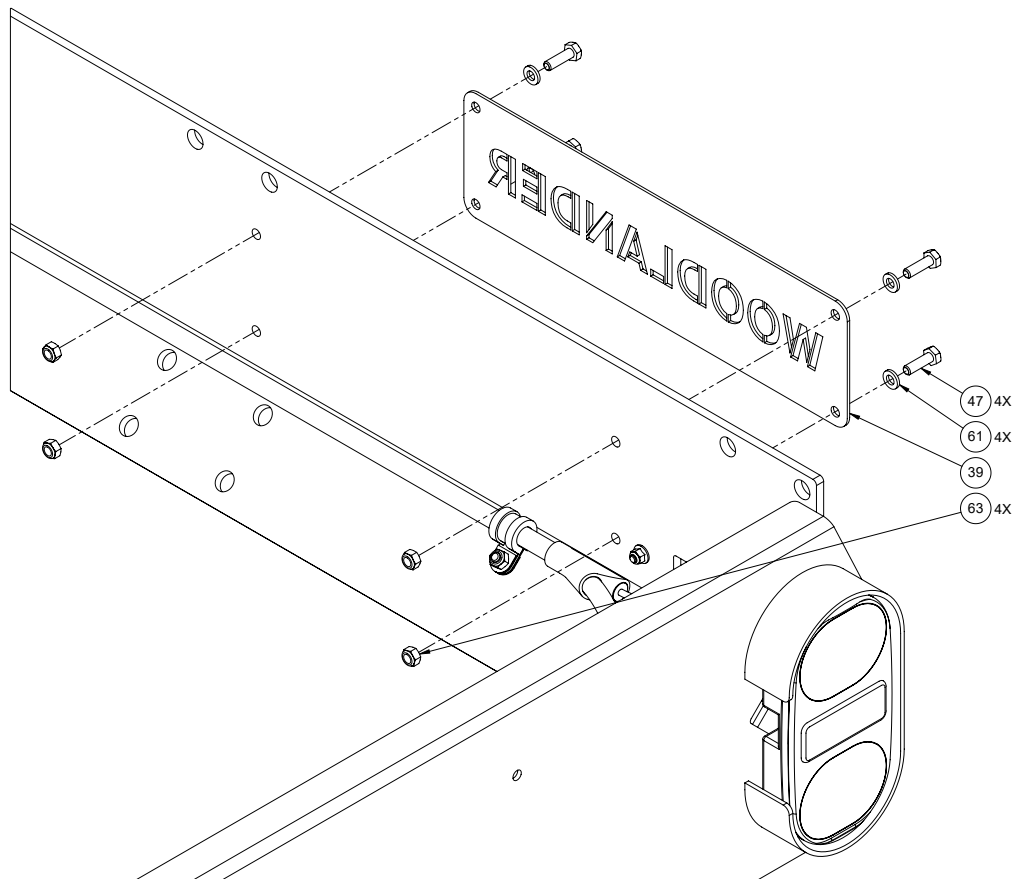
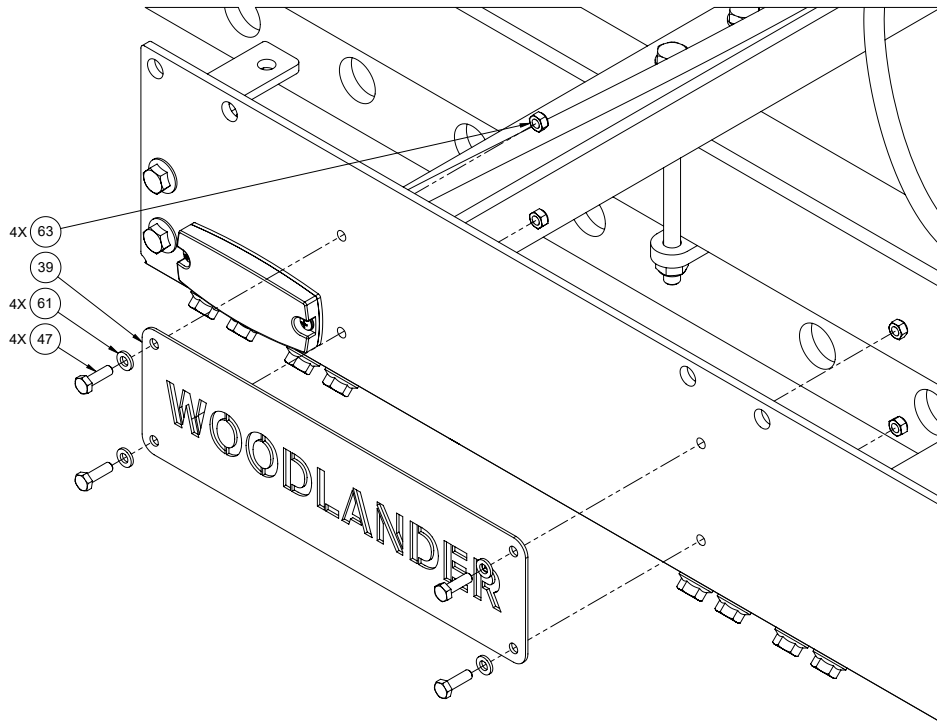


EUROPE



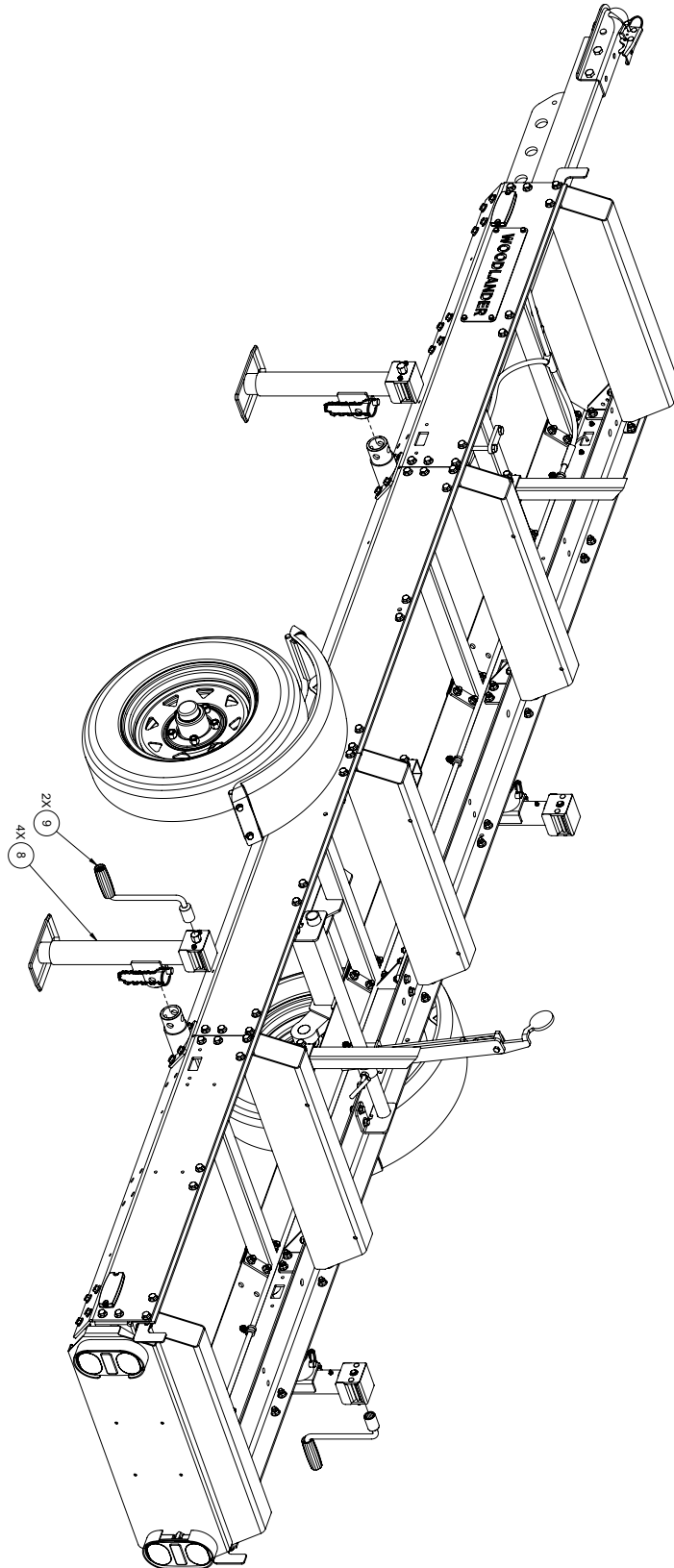


NAMEPLATES



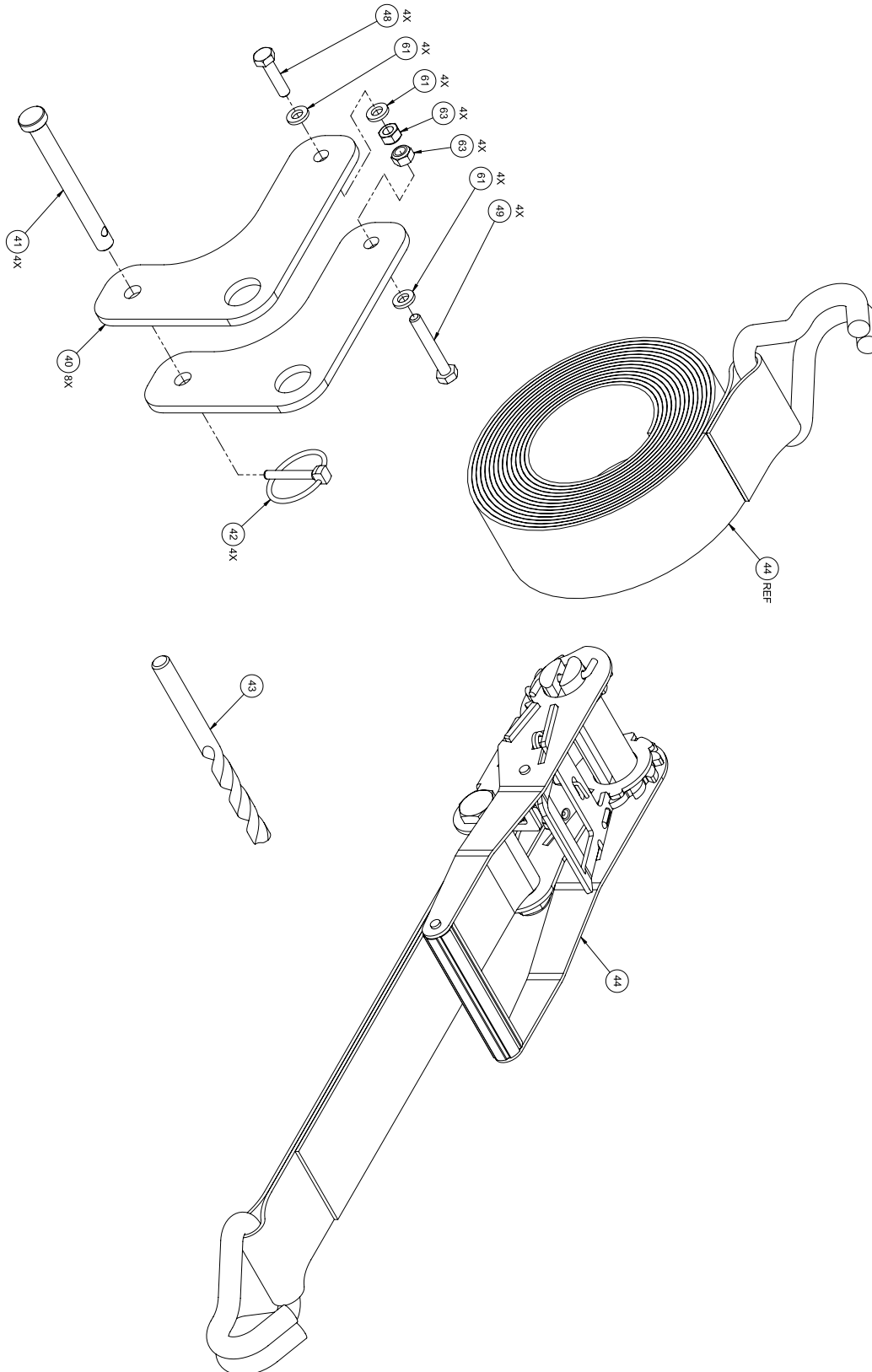


SWIVEL JACKS





HEAD LOCK-DOWN





PARTS LISTS

NORTH AMERICA

Item	Quantity		Part No.	Description
	HM126 HM130	HM130 MAX		
1	4	4	0001373	GUSSET, END
2	6	6	0001374	GUSSET, JOINING
3	2	2	0001363	SIDE PLATE, LONG
4	4	4	0001364	SIDE PLATE, SHORT
5	4	-	0001369	CROSS BEAM
	-	4	0002900	CROSS BEAM, WOODLANDER MAX
6	1	-	0001370	CROSS BEAM, FRONT
	-	1	0002899	CROSS BEAM, FRONT, WOODLANDER MAX
7	4	4	0001376	JACK MOUNT
8	4	4	0006798	SWIVEL JACK, PIPE MOUNT, SIDEWIND HANDLE
9	2	2	0006800	CRANK HANDLE SOCKET DRIVE, 3/4 in [19 mm], SWIVEL JACK
10	1	-	0001679	CROSS BEAM, AXLE
	-	1	0002898	CROSS BEAM, AXLE, WOODLANDER MAX
11	1	1	0001680	AXLE MOUNT W/ FENDER ADAPTER, LEFT
12	1	1	0001681	AXLE MOUNT W/ FENDER ADAPTER, RIGHT
13	2	2	0001683	BRACKET, METAL FENDER, 750/850/1000 kg AXLE
14	2	2	0001684	METAL FENDER, 5.30-12 WHEEL
15	2	2	0001698	KNOB, MULTI-LOBE, 48 mm OD, M10 X 1.5, 30 mm LG
16	3	3	0004728	LOCKING PIN, ROUND, 1/4 in DIA, 1-3/8 in USABLE LG, 2 in LG
17	1	1	0004528	AXLE, LEFT, 1000 kg
18	1	1	0004527	AXLE, RIGHT, 1000 kg
19	2	2	0001549	WHEEL HUB, 5-BOLT, 4-1/2 in [114.3 mm] BC, M12 X 1.5 LUGS
20	2	2	0004762	ROTARY SHAFT SEAL, SPRING-LOADED, WIPER LIP, 30 mm SHAFT, 50 mm OD
21	2	2	0006092	LOCK NUT, SLOTTED, M24 X 1.5, 16 mm THK
22	2	2	0004753	COTTER PIN, 5/32 in DIA, 1-1/2 in LG
23	2	2	0001439	WHEEL HUB DUST COVER, 5-BOLT, M12 LUGS
24	10	10	0006202	LUG NUT, M12 X 1.5
25	6	6	0001682	AXLE SHIM PLATE, 3 mm THK
26	1	1	0001371	TONGUE
27	2	2	0001372	TONGUE BRACKET
29	1	1	0001381	HITCH BALL COUPLER, 2 in [50.8 mm] BALL, NORTH AMERICA
30	1	1	0001382	SAFETY CHAIN
31	1	-	0001375	TAILLIGHT BRACKET
	-	1	0002901	TAILLIGHT BRACKET, WOODLANDER MAX
32	8	8	0001396	CABLE CLAMP, 1/2 in ID, 1-3/4 in LG
33	1	1	0001676-1	LIGHTING WIRING HARNESS, NA
39	2	2	0001886	WOODLANDER NAMEPLATE
40	8	8	0001990	HEAD LOCK-DOWN PLATE
41	4	4	0001394	LOCK-DOWN PIN
42	4	4	0004720	LINCH PIN, 4.5 mm DIA, 25 mm USEABLE LG, 32 mm LG
43	1	1	0004742	DRILL BIT, 10 mm, JOBBERS LG



Item	Quantity		Part No.	Description
	HM126 HM130	HM130 MAX		
44	1	1	0005146	RATCHET STRAP, 50 mm WD, 4500 mm LG
45	2	2	5.30-12	WHEEL, 5.30-12
46	4	4	L44649	ROLLER BEARING, TAPERED, 1-1/16 in SFT, 1-3/64 in HSG, .56 in WD
47	16	16	HHB-MBE075FCJ	HEX HEAD BOLT, CLS 8.8, M6 X 1, 20 mm LG, FULL
48	4	4	HHB-MBE080FCJ	HEX HEAD BOLT, CLS 8.8, M6 X 1, 25 mm LG, FULL
49	4	4	HHB-MBE095FCJ	HEX HEAD BOLT, CLS 8.8, M6 X 1, 40 mm LG, FULL
50	1	1	HHB-MBM095FCM	HEX HEAD BOLT, CLS 10.9, M10 X 1.5, 40 mm LG, FULL
51	4	4	HHB-MBM215PCM	HEX HEAD BOLT, CLS 10.9, M10 X 1.5, 160 mm LG, 26 mm LG THD
53	2	2	HHB-MBR125PCM	HEX HEAD BOLT, CLS 10.9, M12 X 1.75, 70 mm LG, 30 mm LG THD
54	8	8	FHH-MBJ075PCJ	HEX BOLT, FLANGED, CLS 8.8, M8 X 1.25, 20 mm LG, 16 mm LG THD
55	4	4	FHH-MBJ080FCJ	HEX BOLT, FLANGED, CLS 8.8, M8 X 1.25, 25 mm LG, FULL
56	116	116	FHH-MBM085FCM	HEX BOLT, FLANGED, CLS 10.9, M10 X 1.5, 30 mm LG, FULL
57	32	32	FHH-MBM090PCM	HEX BOLT, FLANGED, CLS 10.9, M10 X 1.5, 35 mm LG, 26 mm LG THD
58	8	8	FHH-MBM095PCM	HEX BOLT, FLANGED, CLS 10.9, M10 X 1.5, 40 mm LG, 26 mm LG THD
59	8	8	FHH-MBR090PCM	HEX BOLT, FLANGED, CLS 10.9, M12 X 1.75, 35 mm LG, 30 mm LG THD
60	8	8	PPH-MBA075FCE	SCREW, PPH, CLS 4.8, M5 X 0.8, 20 mm LG, FULL
61	28	28	FTW-MBE000AJ	FLAT WASHER, M6
62	6	6	FTW-MBM000AJ	FLAT WASHER, M10
63	24	24	HLN-MBECH	LOCK NUT, CLS 8, M6 X 1
64	5	5	HLN-MBMCL	LOCK NUT, CLS 10, M10 X 1.5
65	2	2	HLN-MBRCL	LOCK NUT, CLS 10, M12 X 1.75
66	8	8	FLN-MBACH	LOCK NUT, FLANGED, CLS 8, M5 X 0.8
67	12	12	FLN-MBJCH	LOCK NUT, FLANGED, CLS 8, M8 X 1.25
68	156	156	FLN-MBMCL	LOCK NUT, FLANGED, CLS 10, M10 X 1.5
69	8	8	FLN-MBRCL	LOCK NUT, FLANGED, CLS 10, M12 X 1.75



EUROPE

Item	Quantity		Part No.	Description
	HM126 HM130	HM130 MAX		
1	4	4	0001373	GUSSET, END
2	6	6	0001374	GUSSET, JOINING
3	2	2	0001363	SIDE PLATE, LONG
4	4	4	0001364	SIDE PLATE, SHORT
5	4	-	0001369	CROSS BEAM
	-	4	0002900	CROSS BEAM, WOODLANDER MAX
6	1	-	0001370	CROSS BEAM, FRONT
	-	1	0002899	CROSS BEAM, FRONT, WOODLANDER MAX
7	4	4	0001376	JACK MOUNT
8	4	4	0006798	SWIVEL JACK, PIPE MOUNT, SIDEWIND HANDLE
9	2	2	0006800	CRANK HANDLE SOCKET DRIVE, 3/4 in [19 mm], SWIVEL JACK
10	1	-	0001679	CROSS BEAM, AXLE
	-	1	0002898	CROSS BEAM, AXLE, WOODLANDER MAX
11	1	1	0001680	AXLE MOUNT W/ FENDER ADAPTER, LEFT
12	1	1	0001681	AXLE MOUNT W/ FENDER ADAPTER, RIGHT
13	2	2	0001683	BRACKET, METAL FENDER, 750/850/1000 kg AXLE
14	2	2	0001684	METAL FENDER, 5.30-12 WHEEL
15	2	2	0001698	KNOB, MULTI-LOBE, 48 mm OD, M10 X 1.5, 30 mm LG
16	3	3	0004728	LOCKING PIN, ROUND, 1/4 in DIA, 1-3/8 in USABLE LG, 2 in LG
17	1	1	0004528	AXLE, LEFT, 1000 kg
18	1	1	0004527	AXLE, RIGHT, 1000 kg
19	2	2	0001549	WHEEL HUB, 5-BOLT, 4-1/2 in [114.3 mm] BC, M12 X 1.5 LUGS
20	2	2	0004762	ROTARY SHAFT SEAL, SPRING-LOADED, WIPER LIP, 30 mm SHAFT, 50 mm OD
21	2	2	0006092	LOCK NUT, SLOTTED, M24 X 1.5, 16 mm THK
22	2	2	0004753	COTTER PIN, 5/32 in DIA, 1-1/2 in LG
23	2	2	0001439	WHEEL HUB DUST COVER, 5-BOLT, M12 LUGS
24	10	10	0006202	LUG NUT, M12 X 1.5
25	6	6	0001682	AXLE SHIM PLATE, 3 mm THK
26	1	1	0001371	TONGUE
28	2	2	0001372	TONGUE BRACKET
29	1	1	0001702	HITCH BALL COUPLER, 50 mm [2 in] BALL, EUROPE
30	1	1	0001382	SAFETY CHAIN
31	1	-	0001375	TAILLIGHT BRACKET
	-	1	0002901	TAILLIGHT BRACKET, WOODLANDER MAX
32	8	8	0001396	CABLE CLAMP, 1/2 in ID, 1-3/4 in LG
34	1	1	0001676-2	LIGHTING WIRING HARNESS, EU
35	2	2	0001379	TRIANGLE REFLECTOR BRACKET, EU
36	2	2	0001390	REAR REFLECTOR, RED, EU
37	4	4	0001391	SIDE REFLECTOR, AMBER, EU
38	2	2	0001392	FRONT REFLECTOR, WHITE, EU
39	2	2	0001886	WOODLANDER NAMEPLATE
40	8	8	0001990	HEAD LOCK-DOWN PLATE



Item	Quantity		Part No.	Description
	HM126 HM130	HM130 MAX		
41	4	4	0001394	LOCK-DOWN PIN
42	4	4	0004720	LINCH PIN, 4.5 mm DIA, 25 mm USEABLE LG, 32 mm LG
43	1	1	0004742	DRILL BIT, 10 mm, JOBBERS LG
44	1	1	0005146	RATCHET STRAP, 50 mm WD, 4500 mm LG
45	2	2	5.30-12	WHEEL, 5.30-12
46	4	4	L44649	ROLLER BEARING, TAPERED, 1-1/16 in SFT, 1-3/64 in HSG, .56 in WD
47	16	16	HHB-MBE075FCJ	HEX HEAD BOLT, CLS 8.8, M6 X 1, 20 mm LG, FULL
48	4	4	HHB-MBE080FCJ	HEX HEAD BOLT, CLS 8.8, M6 X 1, 25 mm LG, FULL
49	4	4	HHB-MBE095FCJ	HEX HEAD BOLT, CLS 8.8, M6 X 1, 40 mm LG, FULL
50	1	1	HHB-MBM095FCM	HEX HEAD BOLT, CLS 10.9, M10 X 1.5, 40 mm LG, FULL
52	4	4	HHB-MBM215PCM	HEX HEAD BOLT, CLS 10.9, M10 X 1.5, 160 mm LG, 26 mm LG THD
53	2	2	HHB-MBR155PCM	HEX HEAD BOLT, CLS 10.9, M12 X 1.75, 100 mm LG, 30 mm LG THD
54	8	8	FHH-MBJ075PCJ	HEX BOLT, FLANGED, CLS 8.8, M8 X 1.25, 20 mm LG, 16 mm LG THD
55	4	4	FHH-MBJ080FCJ	HEX BOLT, FLANGED, CLS 8.8, M8 X 1.25, 25 mm LG, FULL
56	116	116	FHH-MBM085FCM	HEX BOLT, FLANGED, CLS 10.9, M10 X 1.5, 30 mm LG, FULL
57	32	32	FHH-MBM090PCM	HEX BOLT, FLANGED, CLS 10.9, M10 X 1.5, 35 mm LG, 26 mm LG THD
58	8	8	FHH-MBM095PCM	HEX BOLT, FLANGED, CLS 10.9, M10 X 1.5, 40 mm LG, 26 mm LG THD
59	8	8	FHH-MBR090PCM	HEX BOLT, FLANGED, CLS 10.9, M12 X 1.75, 35 mm LG, 30 mm LG THD
60	12	12	PPH-MBA075FCE	SCREW, PPH, CLS 4.8, M5 X 0.8, 20 mm LG, FULL
61	28	28	FTW-MBE000AJ	FLAT WASHER, M6
62	6	6	FTW-MBM000AJ	FLAT WASHER, M10
63	24	24	HLN-MBECH	LOCK NUT, CLS 8, M6 X 1
64	5	5	HLN-MBMCL	LOCK NUT, CLS 10, M10 X 1.5
65	2	2	HLN-MBRCL	LOCK NUT, CLS 10, M12 X 1.75
66	14	14	FLN-MBACH	LOCK NUT, FLANGED, CLS 8, M5 X 0.8
67	12	12	FLN-MBJCH	LOCK NUT, FLANGED, CLS 8, M8 X 1.25
68	156	156	FLN-MBMCL	LOCK NUT, FLANGED, CLS 10, M10 X 1.5
69	8	8	FLN-MBRCL	LOCK NUT, FLANGED, CLS 10, M12 X 1.75

This page intentionally left blank.



DISCOVER THE WOODLAND™