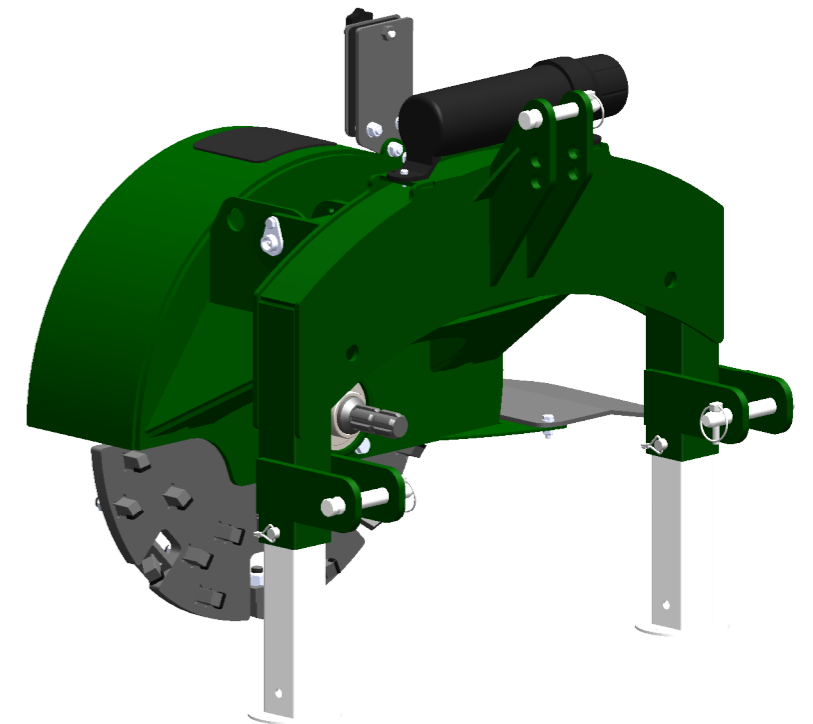
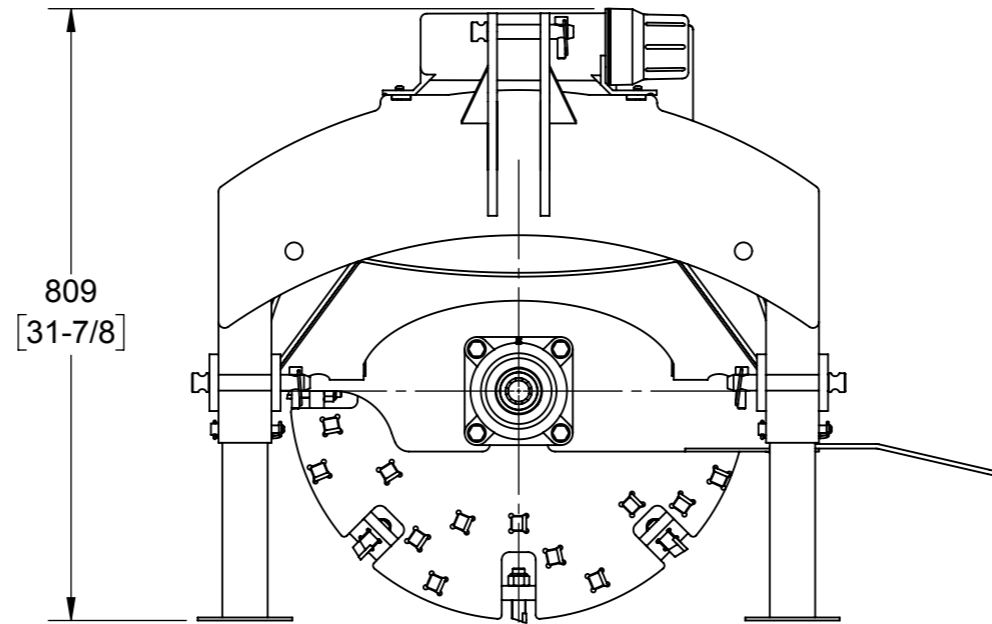
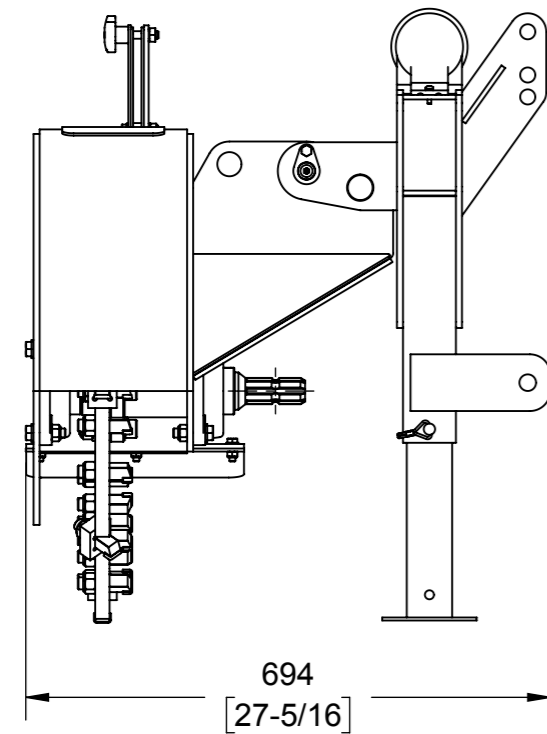
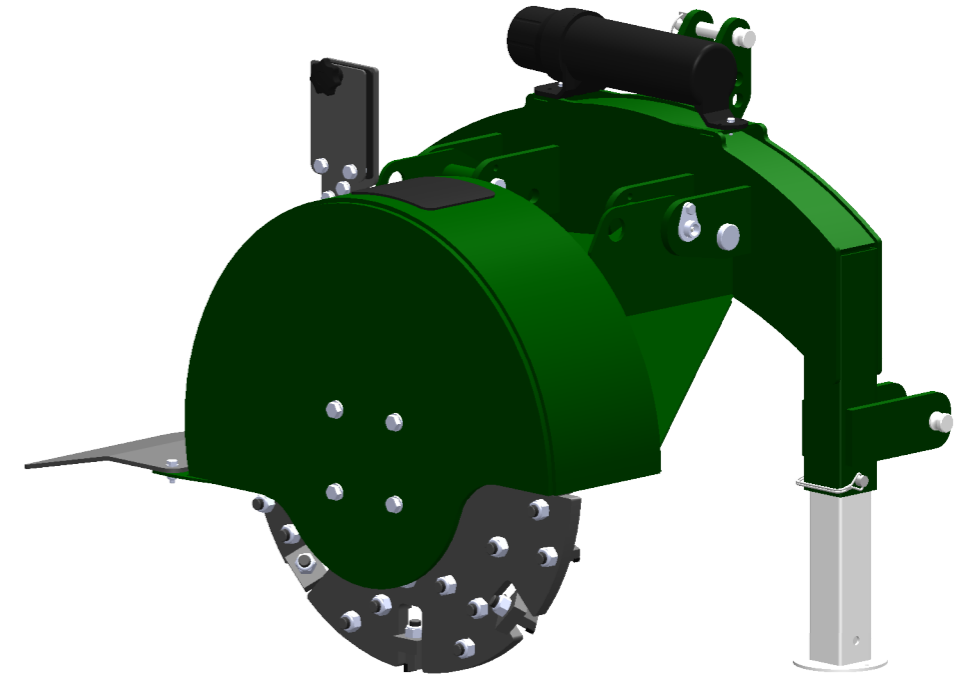
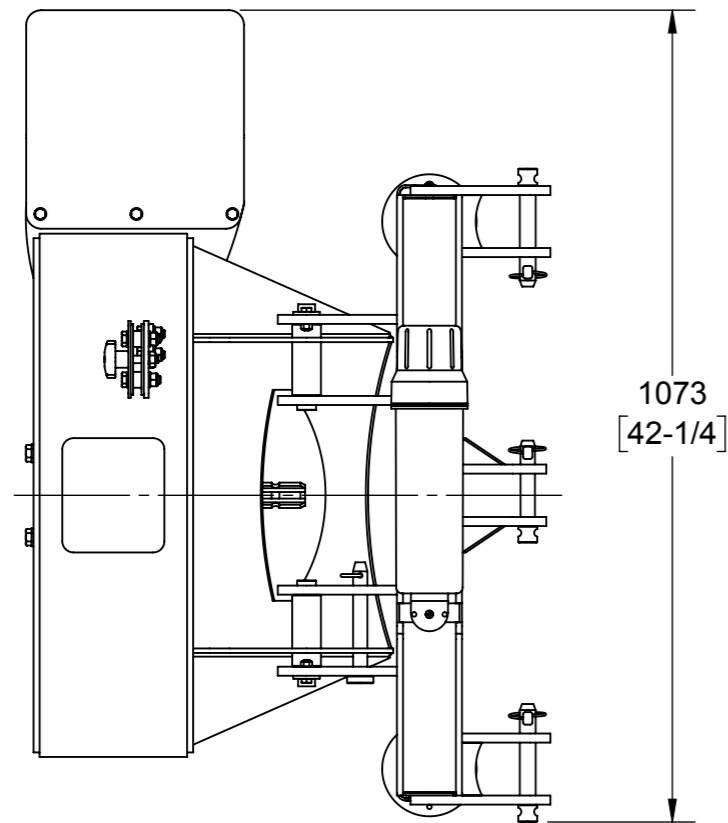


WG24 STUMP GRINDER: OVERALL DIMENSIONS



NOTES:

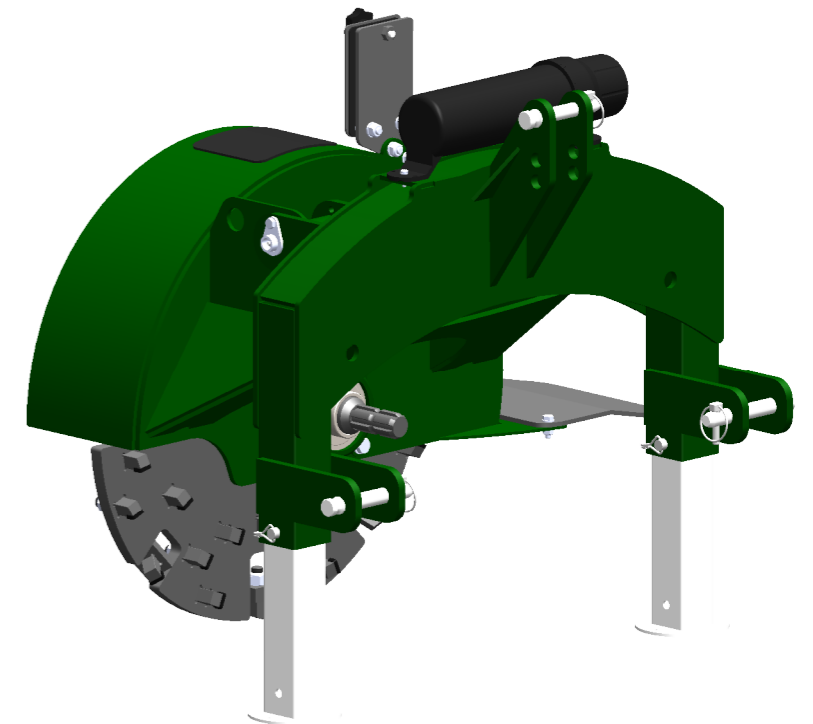
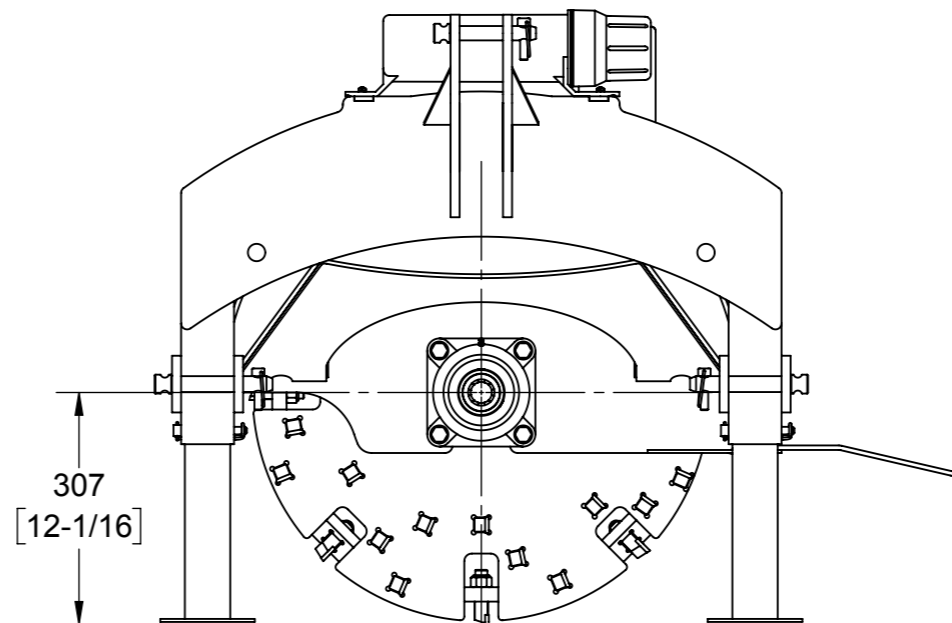
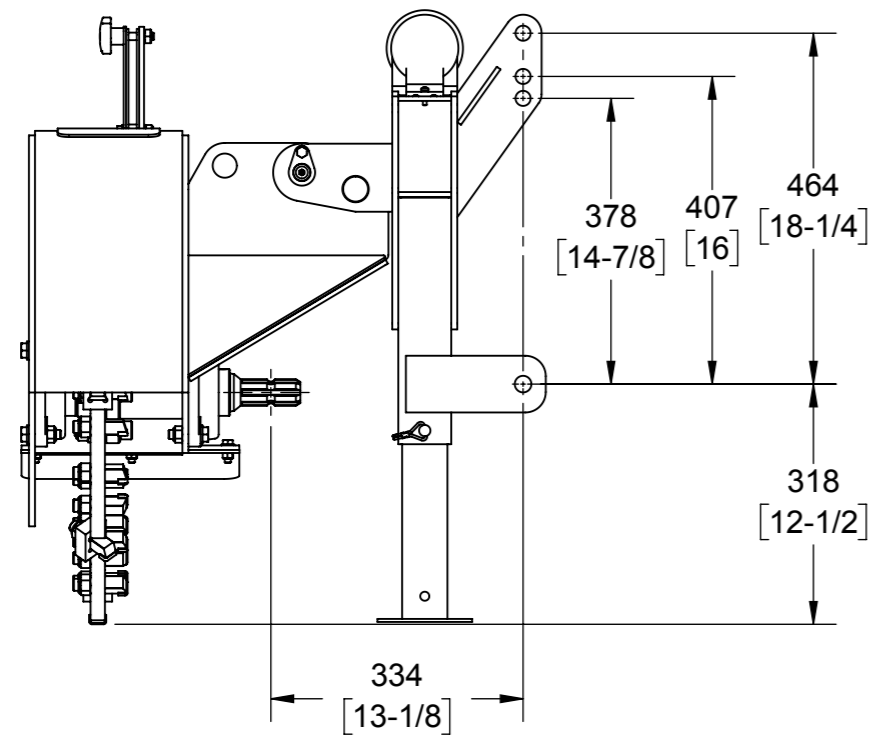
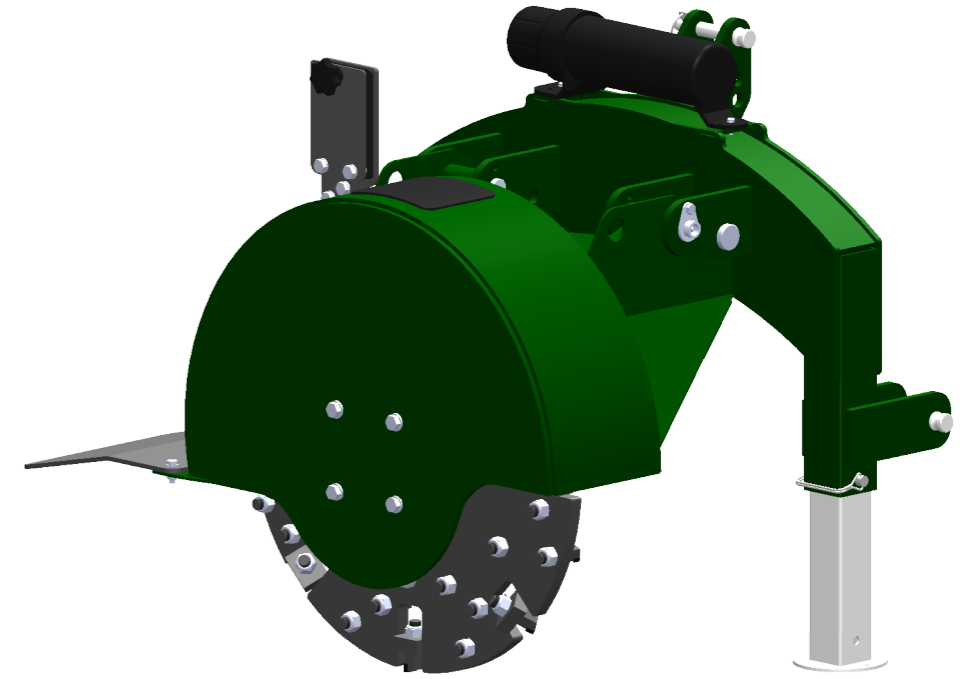
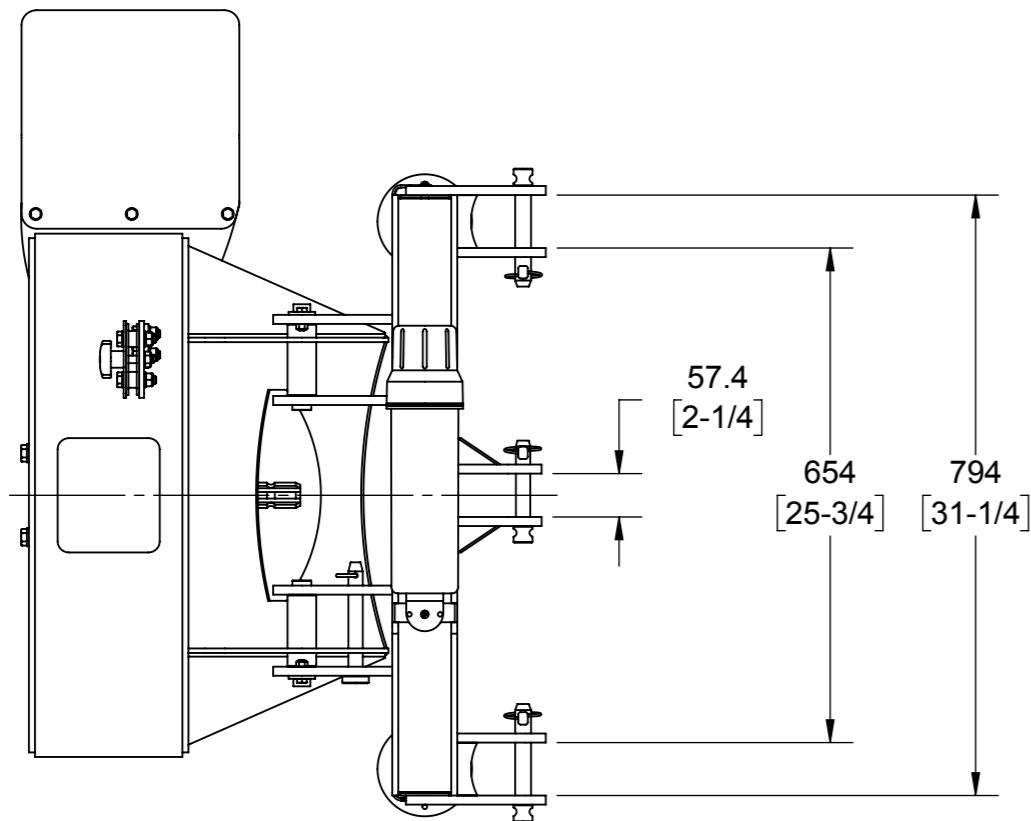
1. DIMENSIONS LOCATED WITHIN SQUARE BRACKETS [] ARE IN INCHES.



WOODLAND MILLS FORESTRY EQUIPMENT
171 NORTH PORT RD, UNIT #1
PORT PERRY, ON L9L 1B2, CANADA
1 (855) 476-6455

SIZE A3	DWG NO	0001226	REV C
SCALE 1:10	DATE 14-08-2018	SHEET 1 OF 2	

WG24 STUMP GRINDER: 3-POINT HITCH



NOTES:

1. DIMENSIONS LOCATED WITHIN SQUARE BRACKETS [] ARE IN INCHES.



WOODLAND MILLS FORESTRY EQUIPMENT
 171 NORTH PORT RD, UNIT #1
 PORT PERRY, ON L9L 1B2, CANADA
 1 (855) 476-6455

SIZE A3	DWG NO	0001226	REV C
SCALE 1:10	DATE 14-08-2018	SHEET 2 OF 2	